



Experts in Solid Dosage Technology

A Division of *Spraying Systems Co.*



Retrofit Rather Than Replace

Update and Expand the Capabilities of Batch Equipment and Controls

Updating your process doesn't have to mean investing in new machines. Retrofitting your current equipment is a cost-effective alternative. The scope of a retrofit can range from upgrading your process control software to converting a machine designed for one operation to perform a completely different operation.

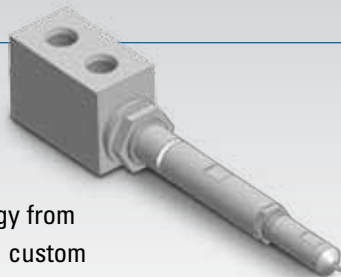
Retrofit Options

- Almost any type and brand of pharmaceutical batch processing equipment can be upgraded. We retrofit our own fluid beds and mixers but we also retrofit dryers, mixers, pan coaters, and other equipment from other manufacturers.
- Upgrading to our recipe-driven Batch Architect™ process control software is a popular option. Batch Architect™ is compatible with all batch-type equipment including fluid beds, mixers, tablet coating pans, pellet-making process trains, and liquid delivery systems. Batch Architect™ is easy-to-use and available in basic and 21 CFR Part 11 capable versions.
- Equipment conversion is an ideal way to capitalize on your original investment. We can convert fluid bed dryers to fluid bed granulators or Wurster coaters.
- New functionality can be added to your existing equipment. Humidification, modern filter systems, solvent recovery systems, materials handling capabilities, and liquid handling are just a few of the more popular features added to older equipment.

Optimization Ideas

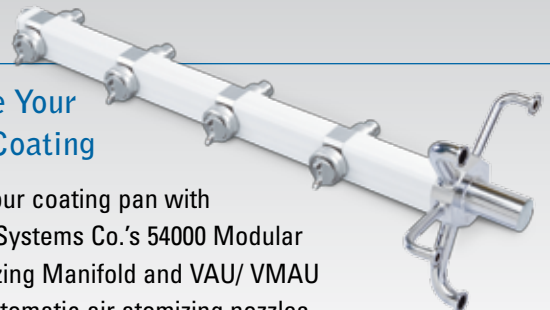
Transform Your Fluid Bed Systems

Equip your machine with state-of-the-art spray technology from Spraying Systems Co. including custom top-spray granulation lances, fluid bed nozzles, and Wurster coating nozzles.



Improve Your Tablet Coating

Retrofit your coating pan with Spraying Systems Co.'s 54000 Modular Air Atomizing Manifold and VAU/ VMAU or JAU automatic air atomizing nozzles for precise, more efficient tablet coating.



Batch Architect™ and Batch Architect Pro™ Process Control Software

- Flexible solutions for controlling R&D, pilot, and production equipment; users can control complex systems with little to no training
- Runs on FactoryTalk® HMI platform and Allen-Bradley® Logix™ series processors, which can be easily integrated with advanced FactoryTalk® products
- Equipped with a graphical user interface (GUI) which provides current status information of critical machine functions through animation and text
- Provides direct access to manual machine control and optional features for increased automation
- Configured to match each specific piece of equipment
- Displays and tracks process variables like airflow and temperature
- Recipe control feature allows batches to be reproduced with minimal user intervention
- Offers convenient electronic batch record data logging and report creation services
- Reports are stored in a secure Microsoft® SQL database with convenient data backup capabilities
- 21 CFR Part 11 capability (Batch Architect Pro™)
- Increased product life cycle through virtualization technology



Batch Architect Benefits

Facilitates Compliance

Batch Architect Pro™ offers FDA 21 CFR Part 11 capabilities for electronic signatures and record creation, making it easy to bring your machines up to date with current industry regulations.

Improves Traceability

Batch Architect Pro™ stores logged batch data in a Microsoft SQL server database. Users can then easily create reports from stored server data to convey the necessary information. The reporting utility can be installed on a computer outside the process room to allow easier access to reporting capabilities.

Ensures Product Uniformity

Recipe-driven, Batch Architect™ and Batch Architect Pro™ enable users to configure and save custom processes. Batches are reproduced with minimal user intervention. The Batch Architect™ status screen monitors critical process variables during machine operation. Users have total control over machine functions to ensure batch accuracy.

Allen-Bradley, FactoryTalk and Logix are trademarks of Rockwell Automation. Microsoft is a registered trademark of Microsoft Corporation.



**Experts in Solid
Dosage Technology**

A Division of *Spraying Systems Co.*

2119 Fisher Drive, Naperville, IL 60563
Tel: 630.665.5001 Fax: 630.665.5981
www.fluidairinc.com