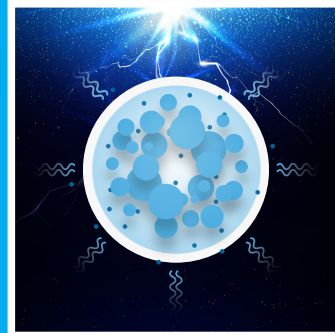


# Electrostatic Spray Drying

## Process Highlights



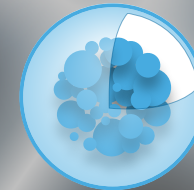
AT THE  
SPRAY  
NOZZLE



### The electrostatic effect

creates ideal droplets primed to evaporate moisture.

1

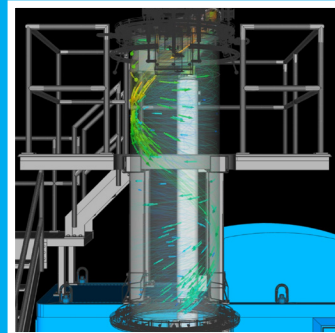


### Stratifying polar molecules

allows for high-efficiency microencapsulation and active ingredient protection.

2

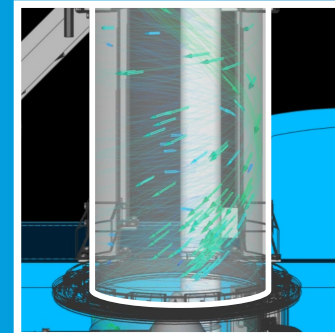
INSIDE THE  
DRYING  
CHAMBER



### A cyclonic gas flow

allows for consistent evaporation without introducing extreme heat or energy into the process.

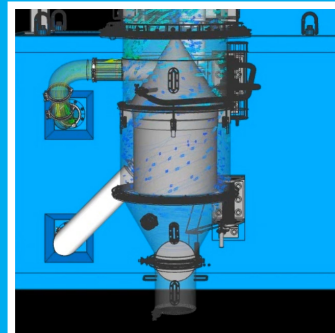
3



Product movement is enhanced from the chamber sides through use of a **flexible, removable liner.**

4

AT  
PRODUCT  
COLLECTION



In-process cleaning filters efficiently release particles, allowing for **longer run durations.**

5



### Improved particle morphology

with superior surface area increases yields and generates powder on demand.

6