

SPRAY PERFORMANCE DATA

SPRAY PERFORMANCE DATA INTRODUCTION



SPRAY PERFORMANCE TO MEET YOUR APPLICATION NEEDS

The precise application of sprayed liquids is critical to many manufacturing and processing operations. Spray tips and spray set-ups that accurately control the flow rate, spray angle and spray pattern of automatic and air atomizing nozzles are found in this section. UniJet® spray tips are used with hydraulic automatic spray nozzles. An extensive range of air atomizing spray set-ups are also available, for use with both automatic and non-automatic spray nozzles. Spray tips and set-ups are available in a variety of materials. Each part is precision machined or molded for consistent performance.

OPTIMIZE PERFORMANCE WITH:



Liquid strainers and air filters reduce maintenance and extend nozzle life.
See page G4



Use pressure regulators to maintain consistent air and liquid pressures for consistent results.
See page G12



Drip Free™ spray set-ups ensure positive shut-off for selected air atomizing nozzles with shut-off needles.
See page D24-D42

SPRAY PERFORMANCE DATA TABLE OF CONTENTS

UNIJET® HYDRAULIC SPRAY TIPS

	PAGE
Quick Reference Guide	D4
<hr/>	
For PulsaJet® Series, JUAUH, JJAUH, AA22AUH, AA24AUA, AA26AUH, D55500-JAUH Series (except for 104210, 104214, 104215 and 0050)	
UniJet® TPU Flat Spray Tips	D6
<hr/>	
For PulsaJet 104210, 104214, 104215	
UniJet PWMD Premium Flat Spray Tips	D13
<hr/>	
For PulsaJet 0050	
UniJet PWMM Premium Flat Spray Tips	D13
<hr/>	
For JUAUH, JJAUH, AA22AUH, AA24AUA, AA26AUH, D55500-JAUH Series	
UniJet TP-TC Flat Spray Tips	D14
UniJet TG, TG-W Full Cone Tips	D18
UniJet TX Hollow Cone Tips	D19
UniJet TN Hollow Cone Tips	D20
UniJet TN-SSTC Hollow Cone Tips	D21

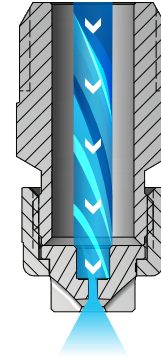
AIR ATOMIZING SPRAY SET-UPS

	PAGE
Quick Reference Guide	D22
<hr/>	
For Automatic Nozzles: 1/4JAUA, PulsaJet (JAU), AA29JAUCO, 10535 & D55500-JAU Series Nozzles Non-Automatic Nozzles: 1/4J Series	
Pressure Spray Set-Ups, Internal Mix	D24
Pressure Spray Set-Ups, External Mix	D30
Siphon/Gravity Spray Set-Ups, Internal Mix	D32
Siphon/Gravity Spray Set-Ups, External Mix	D33

For Automatic Nozzles: 1/8JJAU Series, PulsaJet (JJAU), AA28JJAU Non-Automatic Nozzles: 1/8JJ Series	
Pressure Spray Set-Ups, Internal Mix	D35
Pressure Spray Set-Ups, External Mix	D39
Siphon/Gravity Spray Set-Ups, Internal Mix	D41
Siphon/Gravity Spray Set-Ups, External Mix	D42
<hr/>	
For Automatic Nozzles: 10536 Series Non-Automatic Nozzles: 1/2J Series	
Pressure Spray Set-Ups, Internal Mix	D43
Pressure Spray Set-Ups, External Mix	D47
<hr/>	
For Non-Automatic Nozzles: 1J Series	
Pressure Spray Set-Ups, Internal Mix	D49
Pressure Spray Set-Ups, External Mix	D52
Siphon/Gravity Spray Set-Ups, External Mix	D53
<hr/>	
For Non-Automatic Nozzles: QuickMist® Series	
Pressure Spray Set-Ups, Internal Mix	D54
Siphon/Gravity Spray Set-Ups, Internal Mix	D57
<hr/>	
For Automatic Nozzles: VMAU, VAU Variable Spray Series Non-Automatic Nozzles: VAA Series Variable Spray Series	
Pressure Spray Set-Ups, External Mix	D59
<hr/>	
For Automatic Nozzles: VX Variable Spray Series	
Pressure Spray Set-Ups, External Mix	D64
<hr/>	
Numbering System	
Air Caps Set-Ups and Fluid Caps	D70
<hr/>	
Air Atomizing Set-Up Compatibility	
Compatibility Charts	D72

OVERVIEW: UNIJET® HYDRAULIC SPRAY TIPS

- These tips provide hydraulic liquid atomizing for automatic nozzles
- Standard UniJet TPU Series tips available for flat spray patterns
- Tungsten carbide TP UniJet Series tips are used for high pressure spraying
- Premium UniJet PWMD Series and PWMM Series tips provide auto-alignment of flat spray patterns for selected PulsaJet® nozzles
- UniJet TG and TG-W Series tips provide full cone and wide angle spray patterns
- TX and TN Series tips provide hollow cone spray patterns
- TN-SSTC Series tips provide hollow cone spray patterns with fine spray atomization



UniJet Flat Spray Tips

As the liquid exits through the sharp V shape cut of the orifice, it forms into a flat spray pattern. The distribution is tapered from the center of the spray.

QUICK REFERENCE GUIDE

UniJet Tips	Nozzles	Spray Pattern	Spray Angle	Max Pressure (liquid)	Max Flow	Page Number
TPU tips	PulsaJet Series (except for 104210, 104214, 104215 and 0050) JAUH, JJAUH, AA22AUH, AA24AUA, AA26AUH, D55500-JAUH Series	Flat Spray	0° to 110°	500 psi (35 bar)	25 gpm (94 lpm)	D6
PWMD tips	PulsaJet 104210, 104214, 104215	Flat Spray	65° to 110°	100 psi (7 bar)	.47 gpm (1.78 lpm)	D12
PWMM tips	PulsaJet 0050	Flat Spray	0° to 110°	200 psi (14 bar)	.050 gpm (.189 lpm)	D13
TP-TC tips	JAUH, JJAUH, AA22AUH, AA24AUA, AA26AUH, D55500-JAUH Series	Flat Spray	5° to 110°	3000 psi (207 bar)	17.4 gpm (66 lpm)	D14
TG tips	JAUH, JJAUH, AA22AUH, AA24AUA, AA26AUH, D55500-JAUH Series	Full Cone	50° to 67°	150 psi (10 bar)	3.5 gpm (13 lpm)	D18
TG-W tips	JAUH, JJAUH, AA22AUH, AA24AUA, AA26AUH, D55500-JAUH Series	Full Cone Wide Angle	102° to 120°	80 psi (6 bar)	9.1 gpm (34 lpm)	D18
TX tips	JAUH, JJAUH, AA22AUH, AA24AUA, AA26AUH, D55500-JAUH Series	Hollow Cone	40° to 78°	400 psi (28 bar)	82 gpm (310 lpm)	D19
TN tips	JAUH, JJAUH, AA22AUH, AA24AUA, AA26AUH, D55500-JAUH Series	Hollow Cone	35° to 91°	1000 psi (70 bar)	130 gpm (492 lpm)	D20
TN-SSTC tips	JAUH, JJAUH, AA22AUH, AA24AUA, AA26AUH, D55500-JAUH Series	Hollow Cone	–	2000 psi (140 bar)	184 gpm (697 lpm)	D21

UNIJET® HYDRAULIC SPRAY TIPS OPTIONS

UniJet® Flat Spray Series

- Flat spray pattern with tapered edges provides uniform coverage when sprays overlap
- TPU Series for use with a variety of automatic spray nozzles
- TP-TC Series
 - High pressure capability provides higher impact
 - Erosion-resistant tungsten carbide orifice insert provides extended wear life
 - Excellent corrosion resistance
 - Tip orifice insert is recessed in a solid stainless steel tip body to protect against damage
 - For use with high pressure automatic spray nozzles

**Premium UniJet Flat Spray Series**

- Flat spray pattern with tapered edges provides uniform coverage when sprays overlap
- Automatic spray pattern alignment with 5° pattern offset when used with PulsaJet® nozzles
- PWM Series for use with selected PulsaJet® automatic spray nozzles
- PWMM Series for use with PulsaJet® 0050 automatic spray nozzles

**UniJet Full Cone Series**

- TG Series tips provide a full cone spray pattern
- TG-W Series tips provide wide angle full cone spray pattern
- For use with a variety of automatic spray nozzles

**UniJet Hollow Cone Series**

- TX Series and TN Series tips provide a hollow cone spray pattern
- For use with a variety of automatic spray nozzles
- TN-SSTC Series
 - High pressure capability for fine spray atomization
 - Erosion-resistant tungsten carbide orifice insert provides extended wear life
 - Excellent corrosion resistance
 - For use with high pressure automatic spray nozzles

**PLACING YOUR ORDER**

Call 1.800.95.SPRAY for application assistance
or to place an order.

UNIJET® TPU HYDRAULIC FLAT SPRAY TIPS

FOR PULSAJET® SERIES*, JAUAH, JJAUH, AA22AUH, AA24AUA, AA26AUH, D55500-JAUH SERIES



**PERFORMANCE DATA:
UNIJET® TPU HYDRAULIC FLAT SPRAY TIPS**

Spray Angle at 40 psi	Capacity Size	Equiv. Orifice Dia. (in.)	Flow Rate Capacity (gallons per minute)									Spray Angle (°)			
			5 psi	10 psi	20 psi	40 psi	80 psi	100 psi	200 psi	300 psi	500 psi	20 psi	40 psi	80 psi	200 psi
110°	0033	.015	—	—	.023	.033	.047	.052	.07	.09	.12	91	110	116	121
	0050	.018	—	—	.035	.050	.07	.08	.11	.14	.18	91	110	118	124
	0067	.021	—	—	.05	.067	.09	.11	.15	.18	.24	92	110	118	124
	01	.026	.035	.05	.07	.10	.14	.16	.22	.27	.35	94	110	121	124
	015	.032	.05	.08	.11	.15	.21	.24	.34	.41	.53	97	110	121	124
	02	.035	.07	.10	.14	.20	.28	.32	.45	.55	.71	98	110	120	123
	03	.043	.11	.15	.21	.30	.42	.47	.67	.82	1.1	99	110	120	123
	04	.050	.14	.20	.28	.40	.57	.63	.89	1.1	1.4	100	110	119	122
	05	.056	.18	.25	.35	.50	.71	.79	1.1	1.4	1.8	100	110	118	122
	06	.061	.21	.30	.42	.60	.85	.95	1.3	1.6	2.1	101	110	117	122
	07	.066	.25	.35	.49	.70	.99	1.1	1.6	1.9	2.5	102	110	117	121
	08	.071	.28	.40	.57	.80	1.1	1.3	1.8	2.2	2.8	102	110	117	121
	10	.079	.35	.50	.71	1.0	1.4	1.6	2.2	2.7	3.5	103	110	117	119
	12	.087	.42	.60	.85	1.2	1.7	1.9	2.7	3.3	4.2	103	110	117	119
	15	.097	.53	.75	1.1	1.5	2.1	2.4	3.4	4.1	5.3	104	110	117	118
	20	.112	.71	1.0	1.4	2.0	2.8	3.2	4.5	5.5	7.1	105	110	117	118
	30	.133	1.1	1.5	2.1	3.0	4.2	4.7	6.7	8.2	10.6	105	110	117	118
95°	01	.026	.035	.05	.07	.10	.14	.16	.22	.27	.35	81	95	105	113
	015	.032	.05	.08	.11	.15	.21	.24	.34	.41	.53	82	95	105	113
	02	.035	.07	.10	.14	.20	.28	.32	.45	.55	.71	82	95	105	113
	03	.043	.11	.15	.21	.30	.42	.47	.67	.82	1.1	83	95	104	111
	04	.050	.14	.20	.28	.40	.57	.63	.89	1.1	1.4	84	95	103	108
	05	.056	.18	.25	.35	.50	.71	.79	1.1	1.4	1.8	84	95	102	107
	06	.061	.21	.30	.42	.60	.85	.95	1.3	1.6	2.1	86	95	101	106
	07	.066	.25	.35	.49	.70	.99	1.1	1.6	1.9	2.5	86	95	101	106
	08	.071	.28	.40	.57	.80	1.1	1.3	1.8	2.2	2.8	87	95	100	105
	09	.075	.32	.45	.64	.90	1.3	1.4	2.0	2.5	3.2	89	95	100	105
	10	.079	.35	.50	.71	1.0	1.4	1.6	2.2	2.7	3.5	89	95	100	105
	11	.083	.39	.55	.78	1.1	1.6	1.7	2.5	3.0	3.9	89	95	100	105
	12	.087	.42	.60	.85	1.2	1.7	1.9	2.7	3.3	4.2	89	95	100	105
	13	.090	.46	.65	.92	1.3	1.8	2.1	2.9	3.6	4.6	89	95	100	105
	14	.093	.49	.70	.99	1.4	2.0	2.2	3.1	3.8	4.9	89	95	100	105
	15	.097	.53	.75	1.1	1.5	2.1	2.4	3.4	4.1	5.3	90	95	100	105
	16	.100	.57	.80	1.1	1.6	2.3	2.5	3.6	4.4	5.7	90	95	100	105
	18	.106	.64	.90	1.3	1.8	2.5	2.8	4.0	4.9	6.4	90	95	100	105
	20	.112	.71	1.0	1.4	2.0	2.8	3.2	4.5	5.5	7.1	90	95	100	105
	30	.133	1.1	1.5	2.1	3.0	4.2	4.7	6.7	8.2	10.6	91	95	101	105
40	.153	1.4	2.0	2.8	4.0	5.7	6.3	8.9	11.0	14.1	92	95	100	105	
50	.172	1.8	2.5	3.5	5.0	7.1	7.9	11.2	13.7	17.7	93	95	99	103	
60	.188	2.1	3.0	4.2	6.0	8.5	9.5	13.4	16.4	21	93	95	99	103	
70	.203	2.5	3.5	4.9	7.0	9.9	11.1	15.7	19.2	25	93	95	99	103	

Other body types may be available. Contact your sales engineer for further information. **Highlighted column shows the rated pressure of the nozzles.**

*PulsaJet® Series (except for 104210, 104214, 104215 and 0050)



**PERFORMANCE DATA:
 UNIJET® TPU HYDRAULIC FLAT SPRAY TIPS**

Spray Angle at 40 psi	Capacity Size	Equiv. Orifice Dia. (in.)	Flow Rate Capacity (gallons per minute)									Spray Angle (°)			
			5 psi	10 psi	20 psi	40 psi	80 psi	100 psi	200 psi	300 psi	500 psi	20 psi	40 psi	80 psi	200 psi
80°	0050	.018	–	–	.035	.050	.07	.08	.11	.14	.18	61	80	95	101
	0067	.021	–	.033	.05	.067	.09	.11	.15	.18	.24	67	80	94	99
	01	.026	–	.05	.07	.10	.14	.16	.22	.27	.35	68	80	89	92
	015	.032	–	.08	.11	.15	.21	.24	.34	.41	.53	68	80	89	92
	02	.035	.07	.10	.14	.20	.28	.32	.45	.55	.71	69	80	88	91
	03	.043	.11	.15	.21	.30	.42	.47	.67	.82	1.1	70	80	87	90
	04	.050	.14	.20	.28	.40	.57	.63	.89	1.1	1.4	71	80	86	89
	045	.053	.16	.23	.32	.45	.64	.71	1.0	1.2	1.6	71	80	86	89
	05	.056	.18	.25	.35	.50	.71	.79	1.1	1.4	1.8	71	80	86	89
	06	.061	.21	.30	.42	.60	.85	.95	1.3	1.6	2.1	72	80	85	88
	07	.066	.25	.35	.49	.70	.99	1.1	1.6	1.9	2.5	72	80	85	88
	08	.071	.28	.40	.57	.80	1.1	1.3	1.8	2.2	2.8	72	80	84	87
	09	.075	.32	.45	.64	.90	1.3	1.4	2.0	2.5	3.2	73	80	84	87
	10	.079	.35	.50	.71	1.0	1.4	1.6	2.2	2.7	3.5	73	80	84	87
	11	.083	.39	.55	.78	1.1	1.6	1.7	2.5	3.0	3.9	73	80	83	86
	12	.087	.42	.60	.85	1.2	1.7	1.9	2.7	3.3	4.2	73	80	83	86
	13	.090	.46	.65	.92	1.3	1.8	2.1	2.9	3.6	4.6	73	80	83	86
	14	.093	.49	.70	.99	1.4	2.0	2.2	3.1	3.8	4.9	73	80	83	86
	15	.097	.53	.75	1.1	1.5	2.1	2.4	3.4	4.1	5.3	74	80	83	86
	16	.100	.57	.80	1.1	1.6	2.3	2.5	3.6	4.4	5.7	74	80	83	86
17	.103	.60	.85	1.2	1.7	2.4	2.7	3.8	4.7	6.0	74	80	83	86	
20	.112	.71	1.0	1.4	2.0	2.8	3.2	4.5	5.5	7.1	74	80	83	86	
25	.121	.88	1.3	1.8	2.5	3.5	4.0	5.6	6.8	8.8	74	80	83	86	
30	.133	1.1	1.5	2.1	3.0	4.2	4.7	6.7	8.2	10.6	74	80	83	86	
40	.153	1.4	2.0	2.8	4.0	5.7	6.3	8.9	11.0	14.1	74	80	83	86	
50	.172	1.8	2.5	3.5	5.0	7.1	7.9	11.2	13.7	17.7	74	80	83	85	
60	.188	2.1	3.0	4.2	6.0	8.5	9.5	13.4	16.4	21	75	80	83	85	
70	.203	2.5	3.5	4.9	7.0	9.9	11.1	15.7	19.2	25	75	80	83	86	
73°	0023	.012	–	–	.016	.023	.032	.036	.051	.063	.081	50	73	89	97
	0039	.016	–	.020	.028	.039	.055	.062	.087	.11	.14	53	73	87	93
	0077	.023	–	.039	.055	.077	.11	.12	.17	.21	.27	53	73	86	92
	0116	.028	.041	.058	.082	.12	.16	.18	.26	.32	.41	54	73	85	90
	0154	.032	.054	.077	.11	.15	.22	.24	.34	.42	.54	55	73	84	88
	0231	.038	.082	.12	.16	.23	.33	.37	.52	.63	.82	56	73	83	87
	0308	.044	.11	.15	.22	.31	.44	.49	.69	.84	1.1	58	73	82	86
	0385	.049	.14	.19	.27	.39	.54	.61	.86	1.1	1.4	59	73	81	85
	0462	.054	.16	.23	.33	.46	.65	.73	1.0	1.3	1.6	60	73	80	84
	0616	.062	.22	.31	.44	.62	.87	.97	1.4	1.7	2.2	63	73	79	83
	0770	.069	.27	.39	.54	.77	1.1	1.2	1.7	2.1	2.7	64	73	77	82
	0924	.076	.33	.46	.65	.92	1.3	1.5	2.1	2.5	3.3	65	73	77	80

Other body types may be available. Contact your sales engineer for further information. **Highlighted column shows the rated pressure of the nozzles.**

*PulsaJet® Series (except for 104210, 104214, 104215 and 0050)



**PERFORMANCE DATA:
UNIJET® TPU HYDRAULIC FLAT SPRAY TIPS**

Spray Angle at 40 psi	Capacity Size	Equiv. Orifice Dia. (in.)	Flow Rate Capacity (gallons per minute)									Spray Angle (°)			
			5 psi	10 psi	20 psi	40 psi	80 psi	100 psi	200 psi	300 psi	500 psi	20 psi	40 psi	80 psi	200 psi
65°	0017	.011	–	–	.012	.017	.024	.027	.038	.047	.06	44	65	77	86
	0025	.013	–	–	.018	.025	.035	.040	.06	.07	.09	45	65	77	84
	0033	.015	–	–	.023	.033	.047	.052	.07	.09	.12	47	65	76	83
	0050	.018	–	–	.035	.050	.07	.08	.11	.14	.18	48	65	75	82
	0067	.021	–	.033	.05	.067	.09	.11	.15	.18	.24	50	65	75	81
	01	.026	–	.05	.07	.10	.14	.16	.22	.27	.35	51	65	74	80
	015	.032	–	.08	.11	.15	.21	.24	.34	.41	.53	51	65	74	80
	02	.035	.07	.10	.14	.20	.28	.32	.45	.55	.71	52	65	73	79
	025	.039	.09	.13	.18	.25	.35	.40	.56	.68	.88	52	65	73	79
	03	.043	.11	.15	.21	.30	.42	.47	.67	.82	1.1	53	65	72	78
	035	.047	.12	.18	.25	.35	.49	.55	.78	.96	1.2	53	65	72	78
	04	.050	.14	.20	.28	.40	.57	.63	.89	1.1	1.4	53	65	72	76
	05	.056	.18	.25	.35	.50	.71	.79	1.1	1.4	1.8	53	65	72	76
	055	.059	.19	.28	.39	.55	.78	.87	1.2	1.5	1.9	53	65	72	76
	06	.061	.21	.30	.42	.60	.85	.95	1.3	1.6	2.1	54	65	72	75
	07	.066	.25	.35	.49	.70	.99	1.1	1.6	1.9	2.5	54	65	72	75
	08	.071	.28	.40	.57	.80	1.1	1.3	1.8	2.2	2.8	55	65	71	74
	09	.075	.32	.45	.64	.90	1.3	1.4	2.0	2.5	3.2	55	65	71	74
	10	.079	.35	.50	.71	1.0	1.4	1.6	2.2	2.7	3.5	56	65	71	74
	11	.083	.39	.55	.78	1.1	1.6	1.7	2.5	3.0	3.9	56	65	71	74
12	.087	.42	.60	.85	1.2	1.7	1.9	2.7	3.3	4.2	56	65	71	74	
13	.090	.46	.65	.92	1.3	1.8	2.1	2.9	3.6	4.6	56	65	71	74	
14	.093	.49	.70	.99	1.4	2.0	2.2	3.1	3.8	4.9	56	65	71	74	
15	.097	.53	.75	1.1	1.5	2.1	2.4	3.4	4.1	5.3	56	65	70	73	
20	.112	.71	1.0	1.4	2.0	2.8	3.2	4.5	5.5	7.1	57	65	70	73	
30	.133	1.1	1.5	2.1	3.0	4.2	4.7	6.7	8.2	10.6	58	65	69	72	
40	.153	1.4	2.0	2.8	4.0	5.7	6.3	8.9	11.0	14.1	59	65	68	72	
50	.172	1.8	2.5	3.5	5.0	7.1	7.9	11.2	13.7	17.7	60	65	68	71	
60	.188	2.1	3.0	4.2	6.0	8.5	9.5	13.4	16.4	21	60	65	68	71	
70	.203	2.5	3.5	4.9	7.0	9.9	11.1	15.7	19.2	25	60	65	68	71	
50°	0017	.011	–	–	.012	.017	.024	.027	.038	.047	.06	27	50	65	74
	0025	.013	–	–	.018	.025	.035	.040	.06	.07	.09	29	50	64	71
	0033	.015	–	–	.023	.033	.047	.052	.07	.09	.12	30	50	62	68
	0050	.018	–	–	.035	.050	.07	.08	.11	.14	.18	32	50	60	66
	0067	.021	–	–	.05	.067	.09	.11	.15	.18	.24	35	50	60	66
	01	.026	–	.05	.07	.10	.14	.16	.22	.27	.35	37	50	59	65
	015	.032	–	.08	.11	.15	.21	.24	.34	.41	.53	38	50	58	64
	02	.035	–	.10	.14	.20	.28	.32	.45	.55	.71	39	50	57	63
	025	.039	.09	.13	.18	.25	.35	.40	.56	.68	.88	40	50	57	63
	03	.043	.11	.15	.21	.30	.42	.47	.67	.82	1.1	40	50	56	62
	035	.047	.12	.18	.25	.35	.49	.55	.78	.96	1.2	40	50	56	61

Other body types may be available. Contact your sales engineer for further information. **Highlighted column shows the rated pressure of the nozzles.**

*PulsaJet® Series (except for 104210, 104214, 104215 and 0050)



**PERFORMANCE DATA:
UNIJET® TPU HYDRAULIC FLAT SPRAY TIPS**

Spray Angle at 40 psi	Capacity Size	Equiv. Orifice Dia. (in.)	Flow Rate Capacity (gallons per minute)									Spray Angle (°)			
			5 psi	10 psi	20 psi	40 psi	80 psi	100 psi	200 psi	300 psi	500 psi	20 psi	40 psi	80 psi	200 psi
50°	04	.050	.14	.20	.28	.40	.57	.63	.89	1.1	1.4	42	50	56	61
	05	.056	.18	.25	.35	.50	.71	.79	1.1	1.4	1.8	44	50	56	61
	06	.061	.21	.30	.42	.60	.85	.95	1.3	1.6	2.1	45	50	56	60
	07	.066	.25	.35	.49	.70	.99	1.1	1.6	1.9	2.5	45	50	56	60
	075	.068	.27	.38	.53	.75	1.1	1.2	1.7	2.1	2.7	45	50	55	60
	08	.071	.28	.40	.57	.80	1.1	1.3	1.8	2.2	2.8	45	50	55	60
	09	.075	.32	.45	.64	.90	1.3	1.4	2.0	2.5	3.2	45	50	55	59
	10	.079	.35	.50	.71	1.0	1.4	1.6	2.2	2.7	3.5	45	50	55	59
	13	.090	.46	.65	.92	1.3	1.8	2.1	2.9	3.6	4.6	45	50	55	59
	15	.097	.53	.75	1.1	1.5	2.1	2.4	3.4	4.1	5.3	45	50	55	59
	20	.112	.71	1.0	1.4	2.0	2.8	3.2	4.5	5.5	7.1	45	50	55	59
	30	.133	1.1	1.5	2.1	3.0	4.2	4.7	6.7	8.2	10.6	45	50	55	59
	40	.153	1.4	2.0	2.8	4.0	5.7	6.3	8.9	11.0	14.1	46	50	54	59
	50	.172	1.8	2.5	3.5	5.0	7.1	7.9	11.2	13.7	17.7	46	50	54	59
	60	.188	2.1	3.0	4.2	6.0	8.5	9.5	13.4	16.4	21	46	50	54	59
70	.203	2.5	3.5	4.9	7.0	9.9	11.1	15.7	19.2	25	46	50	54	59	
40°	0017	.011	–	–	.012	.017	.024	.027	.038	.047	.06	21	40	54	61
	0025	.013	–	–	.018	.025	.035	.040	.06	.07	.09	22	40	53	60
	0033	.015	–	–	.023	.033	.047	.052	.07	.09	.12	22	40	53	60
	0050	.018	–	–	.035	.050	.07	.08	.11	.14	.18	22	40	53	60
	0067	.021	–	–	.05	.067	.09	.11	.15	.18	.24	24	40	53	60
	01	.026	–	–	.07	.10	.14	.16	.22	.27	.35	26	40	52	59
	015	.032	–	–	.11	.15	.21	.24	.34	.41	.53	27	40	52	59
	02	.035	–	.10	.14	.20	.28	.32	.45	.55	.71	29	40	51	58
	025	.039	–	.13	.18	.25	.35	.40	.56	.68	.88	29	40	51	58
	03	.043	–	.15	.21	.30	.42	.47	.67	.82	1.1	30	40	50	57
	04	.050	–	.20	.28	.40	.57	.63	.89	1.1	1.4	30	40	50	56
	05	.056	–	.25	.35	.50	.71	.79	1.1	1.4	1.8	31	40	49	55
	055	.059	–	.28	.39	.55	.78	.87	1.2	1.5	1.9	31	40	49	55
	06	.061	–	.30	.42	.60	.85	.95	1.3	1.6	2.1	31	40	49	55
	07	.066	.25	.35	.49	.70	.99	1.1	1.6	1.9	2.5	31	40	49	55
	08	.071	.28	.40	.57	.80	1.1	1.3	1.8	2.2	2.8	31	40	47	53
	09	.075	.32	.45	.64	.90	1.3	1.4	2.0	2.5	3.2	32	40	45	48
	10	.079	.35	.50	.71	1.0	1.4	1.6	2.2	2.7	3.5	32	40	45	48
	11	.083	.39	.55	.78	1.1	1.6	1.7	2.5	3.0	3.9	32	40	45	48
	12	.087	.42	.60	.85	1.2	1.7	1.9	2.7	3.3	4.2	32	40	45	48
13	.090	.46	.65	.92	1.3	1.8	2.1	2.9	3.6	4.6	32	40	45	48	
15	.097	.53	.75	1.1	1.5	2.1	2.4	3.4	4.1	5.3	32	40	45	48	
20	.112	.71	1.0	1.4	2.0	2.8	3.2	4.5	5.5	7.1	32	40	45	48	
25	.121	.88	1.3	1.8	2.5	3.5	4.0	5.6	6.8	8.8	32	40	45	48	
30	.133	1.1	1.5	2.1	3.0	4.2	4.7	6.7	8.2	10.6	33	40	45	48	

Other body types may be available. Contact your sales engineer for further information. **Highlighted column shows the rated pressure of the nozzles.**

*PulsaJet® Series (except for 104210, 104214, 104215 and 0050)

**PERFORMANCE DATA:
UNIJET® TPU HYDRAULIC FLAT SPRAY TIPS**

Spray Angle at 40 psi	Capacity Size	Equiv. Orifice Dia. (in.)	Flow Rate Capacity (gallons per minute)									Spray Angle (°)			
			5 psi	10 psi	20 psi	40 psi	80 psi	100 psi	200 psi	300 psi	500 psi	20 psi	40 psi	80 psi	200 psi
40°	40	.153	1.4	2.0	2.8	4.0	5.7	6.3	8.9	11.0	14.1	34	40	45	48
	50	.172	1.8	2.5	3.5	5.0	7.1	7.9	11.2	13.7	17.7	35	40	45	48
	60	.188	2.1	3.0	4.2	6.0	8.5	9.5	13.4	16.4	21	35	40	45	48
	70	.203	2.5	3.5	4.9	7.0	9.9	11.1	15.7	19.2	25	35	40	45	48
25°	0017	.011	-	-	-	.017	.024	.027	.038	.047	.06	-	25	35	47
	0025	.013	-	-	-	.025	.035	.040	.06	.07	.09	-	25	35	45
	0033	.015	-	-	-	.033	.047	.052	.07	.09	.12	-	25	34	44
	0050	.018	-	-	-	.050	.07	.08	.11	.14	.18	-	25	34	43
	0067	.021	-	-	-	.067	.09	.11	.15	.18	.24	-	25	34	42
	01	.026	-	-	.07	.10	.14	.16	.22	.27	.35	14	25	34	42
	015	.032	-	-	.11	.15	.21	.24	.34	.41	.53	15	25	34	41
	02	.035	-	-	.14	.20	.28	.32	.45	.55	.71	15	25	33	40
	03	.043	-	-	.21	.30	.42	.47	.67	.82	1.1	15	25	33	40
	04	.050	-	.20	.28	.40	.57	.63	.89	1.1	1.4	16	25	32	39
	05	.056	-	.25	.35	.50	.71	.79	1.1	1.4	1.8	16	25	32	39
	055	.059	-	.28	.39	.55	.78	.87	1.2	1.5	1.9	16	25	32	39
	06	.061	-	.30	.42	.60	.85	.95	1.3	1.6	2.1	17	25	31	38
	07	.066	-	.35	.49	.70	.99	1.1	1.6	1.9	2.5	17	25	31	38
	08	.071	-	.40	.57	.80	1.1	1.3	1.8	2.2	2.8	17	25	31	38
	09	.075	-	.45	.64	.90	1.3	1.4	2.0	2.5	3.2	17	25	31	38
	10	.079	-	.50	.71	1.0	1.4	1.6	2.2	2.7	3.5	18	25	31	37
	13	.090	-	.65	.92	1.3	1.8	2.1	2.9	3.6	4.6	18	25	31	37
	15	.097	-	.75	1.1	1.5	2.1	2.4	3.4	4.1	5.3	18	25	31	37
	20	.112	-	1.0	1.4	2.0	2.8	3.2	4.5	5.5	7.1	19	25	31	37
30	.133	1.1	1.5	2.1	3.0	4.2	4.7	6.7	8.2	10.6	20	25	30	36	
40	.153	1.4	2.0	2.8	4.0	5.7	6.3	8.9	11.0	14.1	21	25	29	35	
50	.172	1.8	2.5	3.5	5.0	7.1	7.9	11.2	13.7	17.7	21	25	29	35	
60	.188	2.1	3.0	4.2	6.0	8.5	9.5	13.4	16.4	21	22	25	29	35	
70	.203	2.5	3.5	4.9	7.0	9.9	11.1	15.7	19.2	25	22	25	29	35	
15°	0017	.011	-	-	-	.017	.024	.027	.038	.047	.06	-	15	30	37
	0025	.013	-	-	-	.025	.035	.040	.06	.07	.09	-	15	28	34
	0033	.015	-	-	-	.033	.047	.052	.07	.09	.12	-	15	27	32
	0050	.018	-	-	-	.050	.07	.08	.11	.14	.18	-	15	26	30
	0067	.021	-	-	-	.067	.09	.11	.15	.18	.24	-	15	25	29
	01	.026	-	-	-	.10	.14	.16	.22	.27	.35	-	15	24	28
	015	.032	-	-	-	.15	.21	.24	.34	.41	.53	-	15	23	27
	02	.035	-	-	.14	.20	.28	.32	.45	.55	.71	6	15	22	27
	03	.043	-	-	.21	.30	.42	.47	.67	.82	1.1	6	15	22	27
	04	.050	-	-	.28	.40	.57	.63	.89	1.1	1.4	7	15	21	26
	05	.056	-	-	.35	.50	.71	.79	1.1	1.4	1.8	7	15	21	26
	055	.059	-	-	.39	.55	.78	.87	1.2	1.5	1.9	7	15	21	26

Other body types may be available. Contact your sales engineer for further information. **Highlighted column shows the rated pressure of the nozzles.**

*PulsaJet® Series (except for 104210, 104214, 104215 and 0050)



**PERFORMANCE DATA:
 UNIJET® TPU HYDRAULIC FLAT SPRAY TIPS**

Spray Angle at 40 psi	Capacity Size	Equiv. Orifice Dia. (in.)	Flow Rate Capacity (gallons per minute)									Spray Angle (°)				
			5 psi	10 psi	20 psi	40 psi	80 psi	100 psi	200 psi	300 psi	500 psi	20 psi	40 psi	80 psi	200 psi	
15°	06	.061	–	–	.42	.60	.85	.95	1.3	1.6	2.1	8	15	21	26	
	07	.066	–	–	.49	.70	.99	1.1	1.6	1.9	2.5	8	15	21	26	
	08	.071	–	–	.57	.80	1.1	1.3	1.8	2.2	2.8	9	15	20	25	
	09	.075	–	–	.64	.90	1.3	1.4	2.0	2.5	3.2	9	15	20	25	
	10	.079	–	–	.71	1.0	1.4	1.6	2.2	2.7	3.5	10	15	19	24	
	11	.083	–	.55	.78	1.1	1.6	1.7	2.5	3.0	3.9	10	15	19	24	
	12	.087	.42	.60	.85	1.2	1.7	1.9	2.7	3.3	4.2	10	15	19	24	
	15	.097	.53	.75	1.1	1.5	2.1	2.4	3.4	4.1	5.3	10	15	19	24	
	20	.112	.71	1.0	1.4	2.0	2.8	3.2	4.5	5.5	7.1	10	15	19	23	
	30	.133	1.1	1.5	2.1	3.0	4.2	4.7	6.7	8.2	10.6	10	15	19	21	
	40	.153	1.4	2.0	2.8	4.0	5.7	6.3	8.9	11.0	14.1	10	15	18	21	
	50	.172	1.8	2.5	3.5	5.0	7.1	7.9	11.2	13.7	17.7	11	15	18	21	
	60	.188	2.1	3.0	4.2	6.0	8.5	9.5	13.4	16.4	21	11	15	18	21	
70	.203	2.5	3.5	4.9	7.0	9.9	11.1	15.7	19.2	25	11	15	18	21		
0°	0009	.008	.003	.003	.005	.009	.013	.014	.020	.025	.032	0° Solid Stream				
	0012	.010	.004	.006	.008	.012	.017	.019	.027	.033	.042					
	0019	.012	.007	.009	.013	.019	.027	.030	.043	.052	.067					
	0021	.013	.007	.010	.011	.023	.033	.040	.047	.052	.074					
	0033	.016	.01	.02	.023	.033	.047	.052	.07	.09	.12					
	0050	.019	.018	.025	.035	.050	.07	.08	.11	.14	.18					
	0067	.023	.024	.033	.05	.067	.09	.11	.15	.18	.24					
	01	.028	.035	.05	.07	.10	.14	.16	.22	.27	.35					
	015	.034	.05	.08	.11	.15	.21	.24	.34	.41	.53					
	02	.039	.07	.10	.14	.20	.28	.32	.45	.55	.71					
	03	.041	.11	.15	.21	.30	.42	.47	.67	.82	1.1					
	04	.047	.14	.20	.28	.40	.57	.63	.89	1.1	1.4					
	045	.052	.16	.23	.32	.45	.64	.71	1.0	1.2	1.6					
	05	.053	.18	.25	.35	.50	.71	.79	1.1	1.4	1.8					
	055	.055	.19	.28	.39	.55	.78	.87	1.2	1.5	1.9					
	06	.058	.21	.30	.42	.60	.85	.95	1.3	1.6	2.1					
	065	.060	.23	.33	.46	.65	.92	1.0	1.5	1.8	2.3					
	07	.062	.25	.35	.49	.70	.99	1.1	1.6	1.9	2.5					
	08	.067	.28	.40	.57	.80	1.1	1.3	1.8	2.2	2.8					
	09	.071	.32	.45	.64	.90	1.3	1.4	2.0	2.5	3.2					
	10	.075	.35	.50	.71	1.0	1.4	1.6	2.2	2.7	3.5					
	11	.079	.39	.55	.78	1.1	1.6	1.7	2.5	3.0	3.9					
	12	.082	.42	.60	.85	1.2	1.7	1.9	2.7	3.3	4.2					
	15	.091	.53	.75	1.1	1.5	2.1	2.4	3.4	4.1	5.3					
20	.106	.71	1.0	1.4	2.0	2.8	3.2	4.5	5.5	7.1						
30	.129	1.1	1.5	2.1	3.0	4.2	4.7	6.7	8.2	10.6						
40	.149	1.4	2.0	2.8	4.0	5.7	6.3	8.9	11.0	14.1						

Other body types may be available. Contact your sales engineer for further information. **Highlighted column shows the rated pressure of the nozzles.**

*PulsaJet® Series (except for 104210, 104214, 104215 and 0050)





**PERFORMANCE DATA:
UNIJET PWMD PREMIUM HYDRAULIC FLAT SPRAY TIPS***

Tip No. TPU PWMD	Equiv. Orifice Dia. (in.)	Marking	Flow Rate Capacity (gallons per minute)					Spray Angle (°)		
			20 psi	40 psi	60 psi	80 psi	100 psi	20 psi	40 psi	80 psi
1100033	.015	WH	.023	.033	.04	.047	.052	91	110	116
1100050	.018	WJ	.035	.050	.06	.07	.08	91	110	118
1100067	.021	WK	.05	.067	.08	.09	.11	92	110	118
11001	.026	WL	.07	.10	.12	.14	.16	94	110	121
110015	.031	WM	.11	.15	.18	.21	.24	97	110	121
11002	.035	WN	.14	.20	.24	.28	.32	98	110	120
11003	.043	WO	.21	.30	.37	.42	.47	99	110	120
950033	.015	9H	.023	.033	.04	.047	.052	81	95	105
950050	.018	9J	.035	.050	.06	.07	.08	81	95	105
950067	.021	9K	.05	.067	.08	.09	.11	81	95	105
9501	.026	9L	.07	.10	.12	.14	.16	81	95	105
95015	.031	9M	.11	.15	.18	.21	.24	81	95	105
9502	.035	9N	.14	.20	.24	.28	.32	82	95	105
9503	.043	9O	.21	.30	.37	.42	.47	83	95	104
800025	.013	8G	.018	.025	.031	.035	.040	61	80	95
800033	.015	8H	.020	.033	.040	.050	.052	61	80	95
800050	.018	8J	.035	.050	.06	.07	.08	61	80	95
800067	.021	8K	.05	.067	.08	.09	.11	67	80	94
8001	.026	8L	.07	.10	.12	.14	.16	68	80	89
80015	.031	8M	.11	.15	.18	.21	.24	68	80	89
8002	.035	8N	.14	.20	.24	.28	.32	69	80	88
8003	.043	8O	.21	.30	.37	.42	.47	70	80	87
650025	.013	6G	.018	.025	.031	.035	.040	45	65	77
650033	.015	6H	.023	.033	.040	.047	.052	47	65	76
650050	.018	6J	.035	.050	.06	.07	.08	48	65	75
650067	.021	6K	.018	.025	.031	.035	.040	50	65	75
6501	.026	6L	.07	.10	.12	.14	.16	51	65	74
65015	.031	6M	.11	.15	.18	.21	.24	51	65	74
6502	.035	6N	.14	.20	.24	.28	.32	52	65	73
6503	.043	6O	.21	.30	.37	.42	.47	53	65	72
500025	.013	5G	.018	.025	.031	.035	.040	29	50	64
500033	.015	5H	.023	.033	.040	.047	.052	30	50	62
500050	.018	5J	.035	.050	.061	.07	.08	32	50	60
500067	.021	5K	.05	.067	.08	.09	.11	35	50	60
5001	.026	5L	.07	.10	.12	.14	.16	37	50	59
50015	.031	5M	.11	.15	.18	.21	.24	38	50	58
5002	.035	5N	.14	.20	.24	.28	.32	39	50	57
5003	.043	5O	.21	.30	.37	.42	.47	40	50	56
400025	.013	4G	.018	.025	.031	.035	.040	40	50	56
400033	.015	4H	.023	.033	.040	.047	.052	22	40	53
400050	.018	4J	.035	.050	.061	.07	.08	22	40	53



PERFORMANCE DATA:
UNIJET PWMD PREMIUM HYDRAULIC FLAT SPRAY TIPS*

Tip No. TPU PWMD	Equiv. Orifice Dia. (in.)	Marking	Flow Rate Capacity (gallons per minute)					Spray Angle (°)		
			20 psi	40 psi	60 psi	80 psi	100 psi	20 psi	40 psi	80 psi
400067	.021	4K	.05	.067	.08	.09	.11	24	40	53
4001	.026	4L	.07	.10	.12	.14	.16	26	40	52
40015	.031	4M	.11	.15	.18	.21	.24	27	40	52
4002	.035	4N	.14	.20	.24	.28	.32	29	40	51
4003	.043	4O	.21	.30	.37	.42	.47	30	40	50
250025	.013	3G	.018	.025	.031	.035	.040	–	25	35
250033	.015	3H	.023	.033	.040	.047	.052	–	25	34
250050	.018	3J	.035	.050	.06	.07	.08	–	25	34
250067	.021	3K	.05	.067	.08	.09	.11	–	25	34
2501	.026	3L	.07	.10	.12	.14	.16	14	25	34
25015	.031	3M	.11	.15	.18	.21	.24	15	25	34
2502	.035	3N	.14	.20	.24	.28	.32	15	25	33
2503	.043	3O	.21	.30	.37	.42	.47	15	25	33
150025	.013	2G	.018	.025	.031	.035	.040	–	15	28
150033	.015	2H	.023	.033	.040	.047	.052	–	15	27
150050	.018	2J	.035	.050	.06	.07	.08	–	15	26
150067	.021	2K	.05	.067	.08	.09	.11	–	15	25
1501	.026	2L	.07	.10	.12	.14	.16	–	15	24
15015	.031	2M	.11	.15	.18	.21	.24	–	15	23
1502	.035	2N	.14	.20	.24	.28	.32	6	15	22
1503	.043	2O	.21	.30	.37	.42	.47	6	15	22

*For PulsaJet 104210, 104214, 104215



PERFORMANCE DATA:
UNIJET PWMM PREMIUM HYDRAULIC FLAT SPRAY TIPS*

Tip No. TPU_PWMM-SS	Marking	Flow Rate Capacity (gallons per minute)	Spray Angle (°)
		40 psi	40 psi
1100033	WH	.033	110
1100050	WJ	.050	110
950025	9G	.025	95
950033	9H	.033	95
950050	9J	.050	95
800025	8G	.025	80
800033	8H	.033	80
800050	8J	.050	80
650025	6G	.025	65
650033	6H	.033	65
650050	6J	.050	65

*For PulsaJet 0050 nozzles





**PERFORMANCE DATA:
UNIJET TP-TC HYDRAULIC FLAT SPRAY TIPS**

Spray Angle at 40 psi	Spray Tip Number	Equiv. Orifice Dia.	Flow Rate Capacity (gallons per minute)					Approx.** Spray Pattern Width (in.) (at 1 foot distance)	
			500 psi	1000 psi	1500 psi	2000 psi	3000 psi		
110°	1100017-TC	.011"	.06	.09	.10	.12	.15	15-1/2	
	1100025-TC	.013"	.09	.12	.15	.18	.22	16-1/2	
	1100033-TC	.015"	.12	.16	.20	.23	.29	17	
	1100039-TC	.016"	.14	.20	.24	.28	.34	18	
	1100050-TC	.018"	.18	.25	.30	.36	.44	19	
	1100067-TC	.021"	.24	.33	.41	.47	.59	21	
	1100080-TC	.023"	.28	.40	.49	.57	.69	22	
	11001-TC	.026"	.35	.50	.61	.72	.86	23	
	110015-TC	.031"	.53	.75	.91	1.1	1.3	25	
	11002-TC	.036"	.71	1.0	1.2	1.4	1.7	26	
	11003-TC	.043"	1.1	1.5	1.8	2.1	2.7	27	
	11004-TC	.052"	1.4	2.0	2.5	2.8	3.4	28	
	11005-TC	.057"	1.8	2.5	3.1	3.5	4.4	28	
	110053-TC	.058"	1.9	2.7	3.2	3.7	4.7	28	
	11006-TC	.062"	2.1	3.0	3.7	4.2	5.1	28	
	11007-TC	.067"	2.5	3.5	4.3	5.0	6.1	28	
	11008-TC	.072"	2.8	4.0	4.9	5.7	6.9	28	
	11009-TC	.076"	3.2	4.5	5.5	6.4	7.8	28	
11010-TC	.078"	3.5	5.0	6.1	7.1	8.6	28		
11011-TC	.083"	3.9	5.5	6.7	7.8	9.6	28		
11012-TC	.089"	4.3	6.0	7.4	8.5	10.5	28		
95°	950017-TC	.011"	.06	.08	.10	.12	.15	13	
	950025-TC	.013"	.09	.12	.15	.18	.22	14	
	950033-TC	.015"	.12	.16	.20	.23	.29	15	
	950039-TC	.016"	.14	.20	.24	.28	.34	16	
	950044-TC	.017"	.16	.22	.27	.31	.39	16	
	950050-TC	.018"	.18	.25	.30	.36	.44	17	
	950067-TC	.021"	.24	.33	.41	.47	.59	19	
	950080-TC	.023"	.28	.40	.49	.57	.69	19	
	9501-TC	.026"	.35	.50	.61	.72	.86	21	
	95015-TC	.031"	.53	.75	.91	1.1	1.3	21	
	9502-TC	.036"	.71	1.0	1.2	1.4	1.7	22	
	9503-TC	.043"	1.1	1.5	1.8	2.1	2.7	22	
	9504-TC	.052"	1.4	2.0	2.5	2.8	3.4	23	
	9505-TC	.057"	1.8	2.5	3.1	3.5	4.4	23	
	9506-TC	.062"	2.1	3.0	3.7	4.2	5.1	23	
	90°	9507-TC	.067"	2.5	3.5	4.3	5.0	6.1	23
		9508-TC	.072"	2.8	4.0	4.9	5.7	6.9	23
		9509-TC	.076"	3.2	4.5	5.5	6.4	7.8	23
9510-TC		.078"	3.5	5.0	6.1	7.1	8.6	23	
9511-TC		.085"	3.9	5.5	6.7	7.8	9.6	23	
9512-TC		.089"	4.3	6.0	7.4	8.5	10.5	23	
9513-TC		.092"	4.6	6.5	8.0	9.2	11.3	23	
9514-TC		.095"	4.9	7.0	8.6	9.9	12.0	23	
9515-TC		.099"	5.3	7.5	9.2	10.6	13.0	23	
9516-TC		.100"	5.7	8.0	9.8	11.3	14.0	23	
9518-TC		.104"	6.4	9.0	11.0	12.7	15.7	23	
9520-TC		.109"	7.1	10.0	12.2	14.1	17.4	23	
800011-TC		.009"	.04	.06	.07	.08	.10	10-1/2	
800017-TC		.011"	.06	.08	.10	.12	.15	11-1/2	
800025-TC		.013"	.09	.12	.15	.18	.22	12-1/2	
800033-TC		.015"	.12	.16	.20	.23	.29	13	
800039-TC		.016"	.14	.20	.24	.28	.34	14	
800050-TC		.018"	.18	.25	.30	.36	.44	15	
800067-TC	.021"	.24	.33	.41	.47	.59	17		
800080-TC	.023"	.28	.40	.49	.57	.69	17		
8001-TC	.026"	.35	.50	.61	.72	.86	19		
80015-TC	.031"	.53	.75	.91	1.1	1.3	19		
8002-TC	.036"	.71	1.0	1.2	1.4	1.7	19		
8003-TC	.043"	1.1	1.5	1.8	2.1	2.7	19		
8004-TC	.052"	1.4	2.0	2.5	2.8	3.4	19		
8005-TC	.057"	1.8	2.5	3.1	3.5	4.4	19		
8006-TC	.062"	2.1	3.0	3.7	4.2	5.1	19		
8007-TC	.067"	2.5	3.5	4.3	5.0	6.1	19		
8008-TC	.072"	2.8	4.0	4.9	5.7	6.9	19		
8009-TC	.076"	3.2	4.5	5.5	6.4	7.8	19		
8010-TC	.078"	3.5	5.0	6.1	7.1	8.6	19		
8011-TC	.085"	3.9	5.5	6.7	7.8	9.6	19		
8012-TC	.089"	4.3	6.0	7.4	8.5	10.5	19		
8013-TC	.093"	4.6	6.5	8.0	9.2	11.3	19		
8014-TC	.096"	4.9	7.0	8.6	9.9	12.0	19		
8015-TC	.099"	5.3	7.5	9.2	10.6	13.0	19		

* Tabulated capacities based on water.

** Spray pattern width is based on liquid with viscosity of 20 seconds, #4 Zahn Cup spraying at 1600 psi (110 bar). Coverage will vary with viscosities and pressures.



**PERFORMANCE DATA:
UNIJET TP-TC HYDRAULIC FLAT SPRAY TIPS**

Spray Angle at 40 psi	Spray Tip Number	Equiv. Orifice Dia.	Flow Rate Capacity (gallons per minute)					Approx.** Spray Pattern Width (in.) (at 1 foot distance)
			500 psi	1000 psi	1500 psi	2000 psi	3000 psi	
73°	730023-TC	.012"	.08	.11	.14	.16	.20	11-1/2
	730039-TC	.016"	.14	.20	.24	.28	.34	13
	730044-TC	.017"	.17	.22	.27	.31	.42	13
	730050-TC	.018"	.18	.25	.31	.35	.44	13
	730154-TC	.031"	.54	.77	.94	1.1	1.3	13
65°	650008-TC	.007"	.03	.04	.05	.06	.07	8-1/2
	650011-TC	.009"	.04	.06	.07	.08	.10	9-1/4
	650017-TC	.011"	.06	.08	.10	.12	.15	10
	650025-TC	.013"	.09	.12	.15	.18	.22	10-1/2
	650033-TC	.015"	.12	.16	.20	.23	.29	11
	650039-TC	.016"	.14	.20	.24	.28	.34	12
	650044-TC	.017"	.16	.22	.27	.31	.39	12-1/2
	650050-TC	.018"	.18	.25	.30	.36	.44	13
	650055-TC	.019"	.19	.28	.34	.39	.47	13
	650067-TC	.021"	.24	.33	.41	.47	.59	15
	650080-TC	.023"	.28	.40	.49	.57	.69	15
	6501-TC	.026"	.35	.50	.61	.72	.86	16
	65015-TC	.031"	.53	.75	.91	1.1	1.3	16
	6502-TC	.036"	.71	1.0	1.2	1.4	1.7	16
	6503-TC	.043"	1.1	1.5	1.8	2.1	2.7	16
	6504-TC	.052"	1.4	2.0	2.5	2.8	3.4	16
	6505-TC	.057"	1.8	2.5	3.1	3.5	4.4	16
	6506-TC	.062"	2.1	3.0	3.7	4.2	5.1	16
	6507-TC	.067"	2.5	3.5	4.3	5.0	6.1	16
	6508-TC	.072"	2.8	4.0	4.9	5.7	6.9	16
	6509-TC	.076"	3.2	4.5	5.5	6.4	7.8	16
	6510-TC	.078"	3.5	5.0	6.1	7.1	8.6	16
	6511-TC	.085"	3.9	5.5	6.7	7.8	9.6	16
	6512-TC	.089"	4.3	6.0	7.4	8.5	10.5	16
	6513-TC	.093"	4.6	6.5	8.0	9.2	11.3	16
	6514-TC	.096"	4.9	7.0	8.6	9.9	12.0	16
	6515-TC	.099"	5.3	7.5	9.2	10.6	13.0	16
	6517-TC	.102"	6.0	8.5	10.4	12.0	14.7	16
	6520-TC	.109"	7.1	10.0	12.2	14.1	17.4	16

Spray Angle at 40 psi	Spray Tip Number	Equiv. Orifice Dia.	Flow Rate Capacity (gallons per minute)					Approx.** Spray Pattern Width (in.) (at 1 foot distance)
			500 psi	1000 psi	1500 psi	2000 psi	3000 psi	
50°	500004-TC	.005"	.01	.02	.02	.03	.03	6-1/2
	500006-TC	.006"	.02	.03	.04	.04	.05	7
	500008-TC	.007"	.03	.04	.05	.06	.07	7-3/4
	500011-TC	.009"	.04	.06	.07	.08	.10	8
	500017-TC	.011"	.06	.08	.10	.12	.15	8-1/2
	500025-TC	.013"	.09	.12	.15	.18	.22	9
	500033-TC	.015"	.12	.16	.20	.23	.29	10
	500039-TC	.016"	.14	.20	.24	.28	.34	10-1/2
	500044-TC	.017"	.16	.22	.27	.31	.39	10-1/2
	500050-TC	.018"	.18	.25	.30	.36	.44	11
	500055-TC	.019"	.19	.28	.34	.39	.47	11
	500067-TC	.021"	.24	.33	.41	.47	.59	12
	500080-TC	.023"	.28	.40	.49	.57	.69	13
	5001-TC	.026"	.35	.50	.61	.72	.86	14
	50015-TC	.031"	.53	.75	.91	1.1	1.3	14
	5002-TC	.036"	.71	1.0	1.2	1.4	1.7	14
	5003-TC	.043"	1.1	1.5	1.8	2.1	2.7	14
	5004-TC	.052"	1.4	2.0	2.5	2.8	3.4	14
	5005-TC	.057"	1.8	2.5	3.1	3.5	4.4	14
	5006-TC	.062"	2.1	3.0	3.7	4.2	5.1	14
5007-TC	.067"	2.5	3.5	4.3	5.0	6.1	14	
5008-TC	.072"	2.8	4.0	4.9	5.7	6.9	14	
5010-TC	.078"	3.5	5.0	6.1	7.1	8.6	14	
5015-TC	.099"	5.3	7.5	9.2	10.6	13.0	14	
40°	400004-TC	.005"	.01	.02	.03	.03	.03	6-1/2
	400006-TC	.006"	.02	.03	.04	.04	.05	6-1/2
	400008-TC	.007"	.03	.04	.05	.06	.07	6-1/2
	400011-TC	.009"	.04	.06	.07	.08	.10	7
	400017-TC	.011"	.06	.08	.10	.12	.15	7-1/2
	400025-TC	.013"	.09	.12	.15	.18	.22	8
	400033-TC	.015"	.12	.16	.20	.23	.29	8-1/2
	400039-TC	.016"	.14	.20	.24	.28	.34	9
	400044-TC	.017"	.16	.22	.27	.31	.39	9-1/2
	400050-TC	.018"	.18	.25	.30	.36	.44	10

* Tabulated capacities based on water.

** Spray pattern width is based on liquid with viscosity of 20 seconds, #4 Zahn Cup spraying at 1600 psi (110 bar). Coverage will vary with viscosities and pressures.



**PERFORMANCE DATA:
UNIJET TP-TC HYDRAULIC FLAT SPRAY TIPS**

Spray Angle at 40 psi	Spray Tip Number	Equiv. Orifice Dia.	Flow Rate Capacity (gallons per minute)					Approx.** Spray Pattern Width (in.) (at 1 foot distance)
			500 psi	1000 psi	1500 psi	2000 psi	3000 psi	
40°	400055-TC	.019"	.19	.28	.34	.39	.47	10
	400067-TC	.021"	.24	.33	.41	.47	.59	11
	400080-TC	.023"	.28	.40	.49	.57	.69	11
	4001-TC	.026"	.35	.50	.61	.72	.86	12
	40013-TC	.029"	.46	.65	.80	.92	1.1	12
	40015-TC	.031"	.53	.75	.91	1.1	1.3	12
	4002-TC	.036"	.71	1.0	1.2	1.4	1.7	12
	4003-TC	.043"	1.1	1.5	1.8	2.1	2.7	12
	4004-TC	.052"	1.4	2.0	2.5	2.8	3.4	12
	4005-TC	.057"	1.8	2.5	3.1	3.5	4.4	12
	4006-TC	.062"	2.1	3.0	3.7	4.2	5.1	12
	4007-TC	.067"	2.5	3.5	4.3	5.0	6.1	12
	4008-TC	.072"	2.8	4.0	4.9	5.7	6.9	12
	4009-TC	.076"	3.2	4.5	5.5	6.4	7.8	12
	4010-TC	.078"	3.5	5.0	6.1	7.1	8.6	12
	4011-TC	.083"	3.9	5.5	6.7	7.8	9.6	12
4015-TC	.099"	5.3	7.5	9.2	10.6	13.0	12	
25°	250004-TC	.005"	.01	.02	.03	.03	.03	5
	250006-TC	.006"	.02	.03	.04	.04	.05	5
	250008-TC	.007"	.03	.04	.05	.06	.07	5-1/2
	250011-TC	.009"	.04	.06	.07	.08	.10	5-1/2
	250017-TC	.011"	.06	.08	.10	.12	.15	6
	250025-TC	.013"	.09	.12	.15	.18	.22	6
	250033-TC	.015"	.12	.16	.20	.23	.29	7
	250039-TC	.016"	.14	.20	.24	.28	.34	7
	250050-TC	.018"	.18	.25	.30	.36	.44	7
	250055-TC	.019"	.19	.28	.34	.39	.47	7
	250067-TC	.021"	.24	.33	.41	.47	.59	8
	250080-TC	.023"	.28	.40	.49	.57	.69	8-1/2
	2501-TC	.026"	.35	.50	.61	.72	.86	9
	25015-TC	.031"	.53	.75	.91	1.1	1.3	9
	2502-TC	.036"	.71	1.0	1.2	1.4	1.7	9
	2503-TC	.043"	1.1	1.5	1.8	2.1	2.7	9
2504-TC	.052"	1.4	2.0	2.5	2.8	3.4	9	
25°	2505-TC	.057"	1.8	2.5	3.1	3.5	4.4	9
	2506-TC	.062"	2.1	3.0	3.7	4.2	5.1	9
	2508-TC	.072"	2.8	4.0	4.9	5.7	6.9	9
	2510-TC	.078"	3.5	5.0	6.1	7.1	8.6	9
	2515-TC	.099"	5.3	7.5	9.2	10.6	13.0	9
	150004-TC	.005"	.01	.02	.03	.03	.03	4
	150006-TC	.006"	.02	.03	.04	.04	.05	4
	150008-TC	.007"	.03	.04	.05	.06	.07	4-1/2
	150011-TC	.009"	.04	.06	.07	.08	.10	4-1/2
	150017-TC	.011"	.06	.08	.10	.12	.15	5
	150025-TC	.013"	.09	.12	.15	.18	.22	5
	150033-TC	.015"	.12	.16	.20	.23	.29	5-1/2
	150039-TC	.016"	.14	.20	.24	.28	.34	6
	150044-TC	.017"	.16	.22	.27	.31	.39	6
	150050-TC	.018"	.18	.25	.30	.36	.44	6
	150067-TC	.021"	.24	.33	.41	.47	.59	6-1/2
150080-TC	.023"	.28	.40	.49	.57	.69	7	
1501-TC	.026"	.35	.50	.61	.72	.86	7	
15015-TC	.031"	.53	.75	.91	1.1	1.3	7	
1502-TC	.036"	.71	1.0	1.2	1.4	1.7	7	
1503-TC	.043"	1.1	1.5	1.8	2.1	2.7	7	
1504-TC	.052"	1.4	2.0	2.5	2.8	3.4	7	
1505-TC	.057"	1.8	2.5	3.1	3.5	4.4	7	
1506-TC	.062"	2.1	3.0	3.7	4.2	5.1	7	
1507-TC	.067"	2.5	3.5	4.3	4.9	6.1	7	
1508-TC	.072"	2.8	4.0	4.9	5.7	6.9	7	
1510-TC	.078"	3.5	5.0	6.1	7.1	8.6	7	
1515-TC	.099"	5.3	7.5	9.2	10.6	13.0	7	
10°	100004-TC	.005"	.01	.02	.03	.03	.03	3
	100006-TC	.006"	.02	.03	.04	.04	.05	3
	100008-TC	.007"	.03	.04	.05	.06	.07	3-1/2
	100011-TC	.009"	.04	.06	.07	.08	.10	3-1/2
	100017-TC	.011"	.06	.08	.10	.12	.15	4
	100025-TC	.013"	.09	.12	.15	.18	.22	4
	100033-TC	.015"	.12	.16	.20	.23	.29	4-1/2

* Tabulated capacities based on water.

** Spray pattern width is based on liquid with viscosity of 20 seconds, #4 Zahn Cup spraying at 1600 psi (110 bar). Coverage will vary with viscosities and pressures.



**PERFORMANCE DATA:
 UNIJET TP-TC HYDRAULIC FLAT SPRAY TIPS**

Spray Angle at 40 psi	Spray Tip Number	Equiv. Orifice Dia.	Flow Rate Capacity (gallons per minute)					Approx.** Spray Pattern Width (in.) (at 1 foot distance)
			500 psi	1000 psi	1500 psi	2000 psi	3000 psi	
10°	100039-TC	.016"	.14	.20	.24	.28	.34	5
	100050-TC	.018"	.18	.25	.30	.36	.44	5
	100067-TC	.021"	.24	.33	.41	.47	.59	5-1/2
	100080-TC	.023"	.28	.40	.49	.57	.69	5-1/2
	1001-TC	.026"	.35	.50	.61	.72	.86	6
	10015-TC	.031"	.53	.75	.91	1.1	1.3	6
	1002-TC	.036"	.71	1.0	1.2	1.4	1.7	6
5°	050004-TC	.005"	.01	.02	.03	.03	.03	2-1/2
	050008-TC	.007"	.03	.04	.05	.06	.07	2-1/2
	050011-TC	.009"	.04	.06	.07	.08	.10	2-1/2

Spray Angle at 40 psi	Spray Tip Number	Equiv. Orifice Dia.	Flow Rate Capacity (gallons per minute)					Approx.** Spray Pattern Width (in.) (at 1 foot distance)
			500 psi	1000 psi	1500 psi	2000 psi	3000 psi	
5°	050017-TC	.011"	.06	.08	.10	.12	.15	3
	050025-TC	.013"	.09	.12	.15	.18	.22	3
	050033-TC	.015"	.12	.16	.20	.23	.29	3-1/2
	050039-TC	.016"	.14	.20	.24	.28	.34	4
	050050-TC	.018"	.18	.25	.30	.36	.44	4
	050067-TC	.021"	.24	.33	.41	.47	.59	4
	0501-TC	.026"	.35	.50	.61	.72	.86	4
	05015-TC	.031"	.53	.75	.91	1.1	1.3	4
	0502-TC	.036"	.71	1.0	1.2	1.4	1.7	4
	0503-TC	.043"	1.1	1.5	1.8	2.1	2.7	4

*Tabulated capacities based on water.

** Spray pattern width is based on liquid with viscosity of 20 seconds, #4 Zahn Cup spraying at 1600 psi (110 bar). Coverage will vary with viscosities and pressures.

PLACING YOUR ORDER

**Call 1.800.95.SPRAY for application assistance
 or to place an order.**





**PERFORMANCE DATA:
UNIJET TG HYDRAULIC FULL CONE SPRAY TIPS**

Body Inlet Conn. (in.)	Capacity Size	Orifice Dia. Nom. (in.)	Max. Free Passage Dia. (in.)	Flow Rate Capacity (gallons per minute)								Spray Angle (°)		
				5 psi	7 psi	10 psi	20 psi	40 psi	80 psi	100 psi	150 psi	7 psi	20 psi	80 psi
1/4	.3	.020	.016	–	–	–	.041	.057	.078	.087	.10	–	50	61
	.4	.022	.018	–	–	–	.055	.076	.10	.12	.14	–	56	63
	.5	.024	.020	–	–	–	.069	.095	.13	.14	.17	–	56	63
	.6	.027	.020	–	–	–	.083	.11	.16	.17	.21	–	54	62
	.7	.030	.020	–	–	–	.096	.13	.18	.20	.24	–	54	63
	1	.036	.025	–	–	.10	.14	.19	.26	.29	.35	–	58	53
	2	.047	.040	.15	.17	.20	.28	.38	.52	.58	.70	43	50	46
	3	.062	.040	.22	.25	.30	.41	.57	.78	.87	1.0	52	65	59
	3.5	.067	.050	.25	.30	.35	.48	.66	.91	1.0	1.2	43	50	46
	5	.082	.050	.36	.42	.50	.69	.95	1.3	1.4	1.7	52	65	59
	6.5	.094	.063	.47	.55	.65	.89	1.2	1.7	1.9	2.3	45	50	46
10	.109	.063	.73	.85	1.0	1.4	1.9	2.6	2.9	3.5	58	67	61	

Maximum Free Passage Diameter is the maximum diameter as listed of foreign matter that can pass through the nozzle without clogging. Other body sizes may be available. Contact your sales engineer for further information.

Highlighted column shows the rated pressure of the nozzles.



**PERFORMANCE DATA:
UNIJET TG-W HYDRAULIC FULL CONE SPRAY TIPS**

Body Inlet Conn. (in.)	Capacity Size	Orifice Dia. Nom. (in.)	Max. Free Passage Dia. (in.)	Flow Rate Capacity (gallons per minute)							Spray Angle (°)		
				5 psi	7 psi	10 psi	15 psi	20 psi	40 psi	80 psi	5 psi	10 psi	80 psi
1/8, 1/4	2.8W	.063	.040	–	–	.28	.34	.39	.53	.73	–	120	102
	4.3W	.078	.040	–	–	.43	.52	.59	.81	1.1	–	120	102
	5.6W	.094	.040	–	.48	.56	.67	.77	1.1	1.5	–	120	102
	8W	.094	.050	–	.68	.80	.96	1.1	1.5	2.1	–	120	103
1/4	10W	.109	.050	.73	.85	1.0	1.2	1.4	1.9	2.6	112	120	103
	12W	.125	.050	.87	1.0	1.2	1.4	1.7	2.3	3.1	114	120	103
	14W	.141	.063	1.0	1.2	1.4	1.7	1.9	2.6	3.6	114	120	103

Maximum Free Passage Diameter is the maximum diameter as listed of foreign matter that can pass through the nozzle without clogging. Other body sizes may be available. Contact your sales engineer for further information.

Highlighted column shows the rated pressure of the nozzles.





PERFORMANCE DATA:
 UNIJET® TX HYDRAULIC HOLLOW CONE SPRAY TIPS

Body Inlet Conn. (in.)	Capacity Size	Inlet Openings (in.)	Orifice Dia. Nom. (in.)	Flow Rate Capacity (gallons per hour)									Spray Angle (°)	
				20 psi	30 psi	40 psi	60 psi	80 psi	100 psi	150 psi	200 psi	400 psi	20 psi	40 psi
1/4	.60	One .012 x .010	.014	–	–	–	.73	.85	.95	1.2	1.3	1.9	–	–
	1	One .016 x .015	.020	–	.87	1.0	1.2	1.4	1.6	1.9	2.2	3.2	–	54
	1.25	One .020 x .020	.022	–	1.1	1.3	1.5	1.8	2.0	2.4	2.8	4.0	–	59
	1.5	One .024 x .020	.024	–	1.3	1.5	1.8	2.1	2.4	2.9	3.4	4.7	–	63
	2	One .028 x .024	.028	1.4	1.7	2.0	2.4	2.8	3.2	3.9	4.5	6.3	40	68
	2.5	One .030 x .029	.031	1.8	2.2	2.5	3.1	3.5	4.0	4.8	5.6	7.9	48	70
	3	One .036 x .034	.034	2.1	2.6	3.0	3.7	4.2	4.7	5.8	6.7	9.5	57	72
	4	One .040 x .034	.041	2.8	3.5	4.0	4.9	5.7	6.3	7.7	8.9	12.6	61	73
	5	Two .032 x .032	.044	3.5	4.3	5.0	6.1	7.1	7.9	9.7	11.2	15.8	63	73
	6	Two .040 x .032	.047	4.2	5.2	6.0	7.3	8.5	9.5	11.6	13.4	19.0	65	74
	8	Two .040 x .036	.055	5.7	6.9	8.0	9.8	11.3	12.6	15.5	17.9	25	66	74
	10	Two .050 x .030	.060	7.1	8.7	10.0	12.2	14.1	15.8	19.4	22	32	68	75
	12	Two .050 x .034	.067	8.5	10.4	12.0	14.7	17.0	19.0	23	27	38	69	76
	14	Two .055 x .034	.070	9.9	12.1	14.0	17.1	19.8	22	27	31	44	70	76
	18	Two .060 x .031	.079	12.7	15.6	18.0	22	25	28	35	40	57	71	77
22	Two .065 x .030	.086	15.6	19.1	22	27	31	35	43	49	70	71	78	
26	Two .065 x .030	.094	18.4	23	26	32	37	41	50	58	82	72	78	

Spray angle of all above tips is 80° at 100 psi (7 bar). Other body types may be available. Contact your sales engineer for more information.

Highlighted column shows the rated pressure of the nozzles.





**PERFORMANCE DATA:
UNIJET® TN HYDRAULIC HOLLOW CONE SPRAY TIPS**

Body Inlet Conn. (in.)	Capacity Size	Orifice Dia. Nom. (in.)	Core No.	Flow Rate Capacity (gallons per hour)									Spray Angle (°)		
				30 psi	40 psi	60 psi	100 psi	200 psi	300 psi	500 psi	700 psi	1000 psi	40 psi	80 psi	300 psi
1/4	.30	.016	106	–	–	–	–	–	.82	1.1	1.3	1.5	–	–	51
	.40	.016	108	–	–	–	–	–	1.1	1.4	1.7	2.0	–	–	58
	.60	.016	206	–	–	–	.95	1.3	1.6	2.1	2.5	3.0	–	35	65
	1	.020	210	–	1.0	1.2	1.6	2.2	2.7	3.5	4.2	5.0	45	62	72
	1.5	.020	216	1.3	1.5	1.8	2.4	3.4	4.1	5.3	6.3	7.5	65	70	72
	2	.028	216	1.7	2.0	2.4	3.2	4.5	5.5	7.1	8.4	10.0	70	75	77
	3	.028	220	2.6	3.0	3.7	4.7	6.7	8.2	10.6	12.5	15.0	65	70	73
	4	.042	220	3.5	4.0	4.9	6.3	8.9	11.0	14.1	16.7	20	72	81	84
	6	.042	225	5.2	6.0	7.3	9.5	13.4	16.4	21	25	30	73	79	81
	8	.060	225	6.9	8.0	9.8	12.6	17.9	22	28	33	40	85	89	91
	10	.064	420	8.7	10.0	12.2	15.8	22	27	35	42	50	82	84	86
	12	.076	420	10.4	12.0	14.7	19.0	27	33	42	50	60	78	82	85
	14	.076	421	12.1	14.0	17.1	22	31	38	49	59	70	85	88	90
	18	.076	422	15.6	18.0	22	28	40	49	64	75	90	81	84	86
	22	.076	625	19.1	22	27	35	49	60	78	92	110	70	72	75
26	.086	625	23	26	32	41	58	71	92	109	130	73	74	77	

Other body types may be available. Contact your sales engineer for more information. **Highlighted column shows the rated pressure of the nozzles.**





**PERFORMANCE DATA:
UNIJET® TN-SSTC HYDRAULIC HOLLOW CONE SPRAY TIPS**

Body Inlet Conn. (in.)	Capacity Size	Orifice Dia. Nom. (in.)	Flow Rate Capacity (gallons per hour)					Approximate Spray Pattern Dia. (at 1 foot distance) (in.)
			400 psi	750 psi	1000 psi	1500 psi	2000 psi	
1/4	.60	.016	1.9	2.6	3.0	3.7	4.2	3
	.80	.014	2.5	3.5	4.0	4.9	5.7	3
	.90	.016	2.8	3.9	4.5	5.5	6.4	3
	1	.020	3.2	4.3	5.0	6.1	7.1	3-1/2
	1.5	.020	4.7	6.5	7.5	9.2	10.6	3-1/2
	1.8	.025	5.7	7.8	9.0	11.0	12.7	4-1/2
	2	.028	6.3	8.7	10.0	12.2	14.1	4-1/2
	3	.028	9.5	13.0	15.0	18.4	21	6
	4	.042	12.6	17.3	20	24	28	8
	6	.042	19.0	26	30	37	42	10
	8	.060	25	35	40	49	57	12
	9	.060	28	39	45	55	64	14
	10	.064	32	43	50	61	71	16
	12	.076	38	52	60	73	85	18
	14	.076	44	61	70	86	99	14
	15	.081	47	65	75	92	106	16
	16	.086	51	69	80	98	113	18
	18	.076	57	78	90	110	127	16
	20	.081	63	87	100	122	141	18
22	.076	70	95	110	135	156	12	
24	.081	76	104	120	147	170	13	
26	.086	82	113	130	159	184	14	

Spray pattern diameter is based on liquid with viscosity of 20 seconds #3 Zahn Cup spraying at 1600 psi (110 bar).

Coverage will vary with viscosities and pressures. Tabulated capacities are based on water.

Other body types may be available. Contact your sales engineer for more information.

Calibration pressure = 40 psi (3 bar).

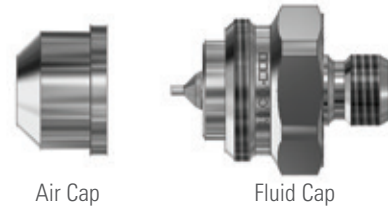
PLACING YOUR ORDER

**Call 1.800.95.SPRAY for application assistance
or to place an order.**



OVERVIEW: AIR ATOMIZING SPRAY NOZZLE SET-UPS

- Each spray set-up – consisting of an air cap and a fluid cap – provides a specific spray pattern, flow rate and spray coverage
- Within each nozzle series, spray set-ups are interchangeable, for versatile performance
- Air and liquid can be externally or internally mixed to produce a completely atomized spray
- Drip Free™ spray set-ups are used for all nozzle assemblies containing shut-off or clean-out needles to ensure positive liquid shut-off

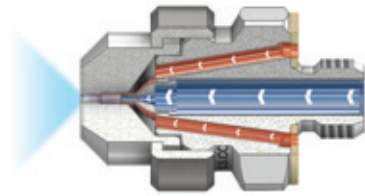


Air Cap

Fluid Cap

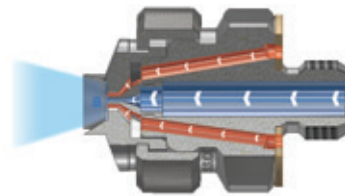
Spray Set-Ups

Each spray set-up consists of an air cap and a fluid cap.



Internal Mix Set-Ups

Liquid and air are mixed internally to produce an atomized spray. Liquid and gas streams are not independent – a change in air flow will affect the liquid flow.



External Mix Set-Ups

Liquid and air streams are mixed outside of the nozzle. Air and liquid flow can be controlled independently. Effective for higher viscosity liquids and abrasive suspensions.

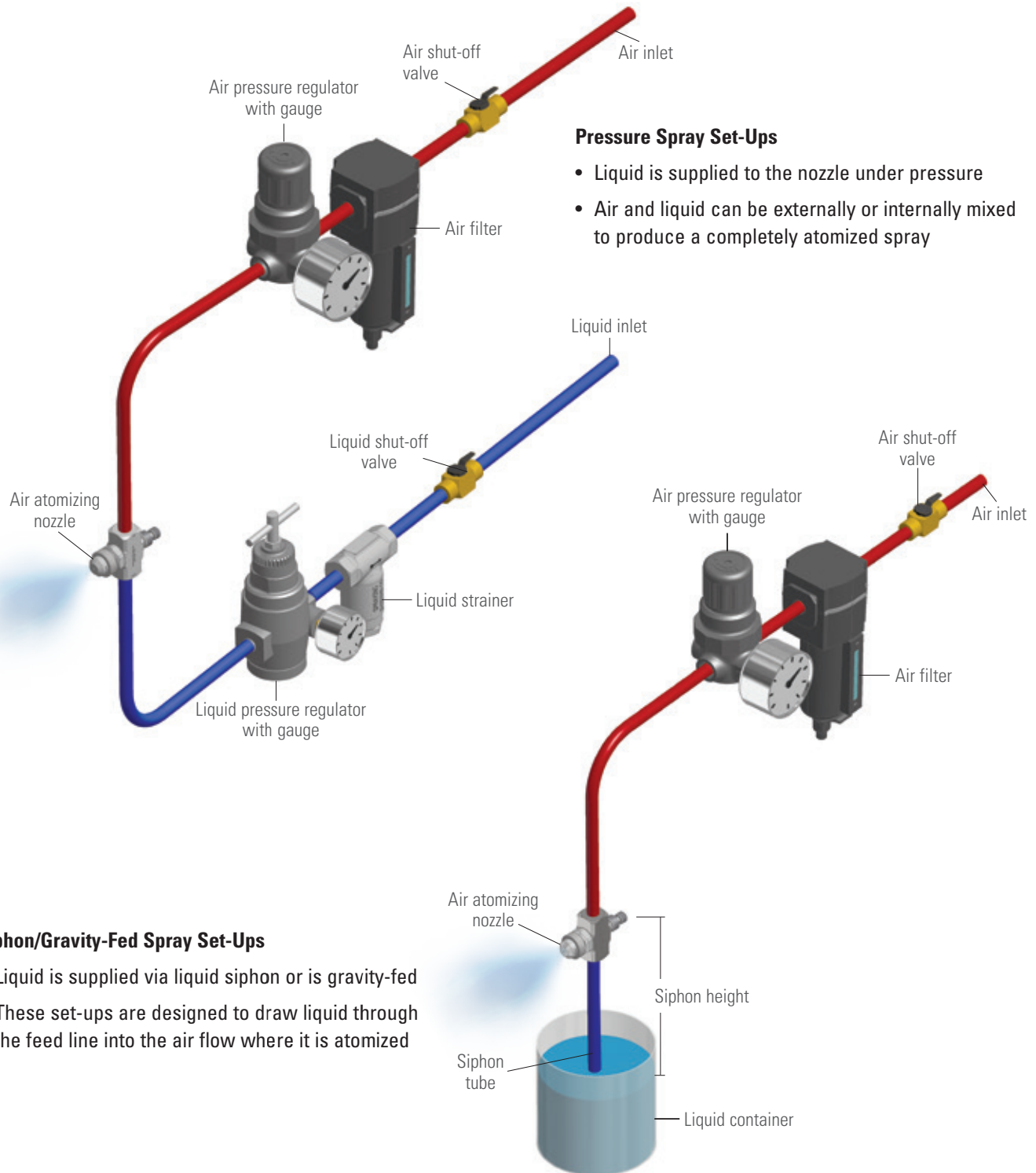
QUICK REFERENCE GUIDE

Spray Set-Up	Liquid Supply	Internal / External Mix	Spray Patterns	Max Flow	Page Number
1/4J Series	Pressure Feed Siphon/Gravity Feed	Both	<ul style="list-style-type: none"> • Flat Spray • Deflected Flat Spray • Round Spray • Wide Angle Round Spray • 360° Circular Spray 	72 gph (272.5 lph)	D24
1/8JJ Series	Pressure Feed Siphon/Gravity Feed	Both	<ul style="list-style-type: none"> • Flat Spray • Round Spray • Wide Angle Round Spray • 360° Circular Spray 	33.2 gph (126 lph)	D35
1/2J Series	Pressure Feed Siphon/Gravity Feed	Both	<ul style="list-style-type: none"> • Flat Spray • Round Spray • Wide Angle Round Spray 	306 gph (1158 lph)	D43
1J Series	Pressure Feed Siphon/Gravity Feed	Both	<ul style="list-style-type: none"> • Flat Spray • Round Spray • Wide Angle Round Spray 	29 gpm (110 lpm)	D49
QuickMist® Series	Pressure Feed Siphon/Gravity Feed	Internal Mix Only	<ul style="list-style-type: none"> • Flat Spray • Round Spray • Wide Angle Round Spray 	26 gpm (98 lpm)	D54
SUV and SUVM Series	Pressure Feed Only	External Mix Only	<ul style="list-style-type: none"> • Variable 	49.8 gph (188.5 lph)	D59 & D62



OVERVIEW: AIR ATOMIZING SPRAY FEED SET-UPS

- Liquid can be supplied to the nozzle under pressure or it can be supplied through a liquid siphon or gravity feed
- Filtration and pressure regulation are recommended on both the liquid and air line



Siphon/Gravity-Fed Spray Set-Ups

- Liquid is supplied via liquid siphon or is gravity-fed
- These set-ups are designed to draw liquid through the feed line into the air flow where it is atomized



**PERFORMANCE DATA:
PRESSURE SPRAY SET-UPS | INTERNAL MIX | ROUND SPRAY**

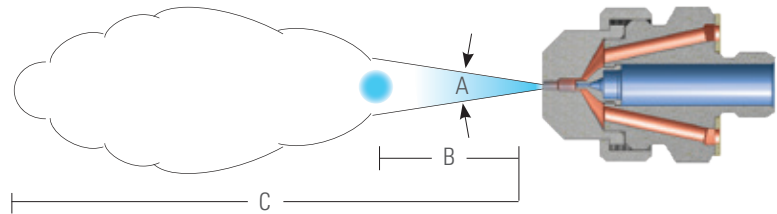
For a round spray pattern, angle "A" is maintained throughout distance "B". Beyond "B", the spray becomes turbulent and projects out to distance "C".

Liquid is supplied to this spray set-up under pressure.

Liquid and compressed air or gas are mixed internally to produce a completely atomized spray.

When ordering only a spray set-up, 3199 retainer ring and 3612 gasket must be ordered separately. These components are included in a complete air atomizing assembly.

Please contact your sales engineer for more information.



Spray Set-up No.	Spray Set-up Consists of Fluid and Air Cap Combination	Liquid Capacity (gallons per hour)* and Air Capacity (standard cubic feet per minute)*															Spray Dimensions		
		Liquid Pressure																	
		10 psi			20 psi			30 psi			40 psi			60 psi			Spray Angle A (°)	B (in.)	C (ft.)
		Air Press.	gph	scfm	Air Press.	gph	scfm	Air Press.	gph	scfm	Air Press.	gph	scfm	Air Press.	gph	scfm			
SU11	Fluid Cap 2050 + Air Cap 67147	10.0	.66	.55	14	1.50	.40	24	1.68	.56	32	1.86	.68	50	2.28	.98	13 - 15	12 - 17-1/2	9 - 14-1/2
		12.0	.48	.67	18	1.23	.50	28	1.44	.63	36	1.62	.80	54	2.05	1.07			
		14.0	.36	.78	22	.99	.63	32	1.08	.82	40	1.32	.93	58	1.80	1.19			
		-	-	-	24	.86	.70	36	.84	.96	44	1.08	1.07	62	1.56	1.36			
		-	-	-	26	.72	.76	38	.72	1.03	48	.85	1.23	66	1.32	1.52			
		-	-	-	28	.60	.82	40	.66	1.11	50	.72	1.33	68	1.23	1.58			
		-	-	-	30	.45	.93	42	.54	1.19	52	.66	1.38	70	1.11	1.66			
SU12A	Fluid Cap 2050 + Air Cap 73160	10.0	.66	.66	18	1.44	.87	24	1.98	1.00	30	2.40	1.14	40	3.30	1.36	12 - 15	17 - 22	12 - 17
		12.0	.54	.77	20	1.32	.98	28	1.68	1.17	34	2.16	1.29	46	2.94	1.54			
		14.0	.42	.90	22	1.20	1.06	32	1.44	1.35	38	1.92	1.47	52	2.58	1.83			
		-	-	-	24	1.08	1.16	34	1.32	1.46	42	1.62	1.68	58	2.28	2.09			
		-	-	-	26	.90	1.26	36	1.20	1.57	44	1.50	1.78	62	2.10	2.26			
		-	-	-	-	-	-	38	1.11	1.66	46	1.38	1.88	66	1.86	2.46			
		-	-	-	-	-	-	40	1.02	1.76	48	1.32	1.98	70	1.68	2.67			
SU12	Fluid Cap 2850 + Air Cap 73160	12.0	1.26	.73	22	2.16	1.05	30	2.90	1.24	36	4.32	1.26	48	5.82	1.50	12 - 15	19 - 23-1/2	13 - 17-1/2
		16.0	1.08	.94	26	1.74	1.26	34	2.46	1.42	40	3.85	1.36	52	5.28	1.65			
		20	.90	1.15	30	1.44	1.47	38	2.10	1.65	44	3.55	1.56	56	4.92	1.73			
		24	.78	1.36	38	1.08	1.87	46	1.50	2.03	52	2.46	2.01	64	4.08	2.08			
		28	.76	1.56	42	.94	2.04	52	1.20	2.36	60	1.86	2.36	70	3.60	2.34			

*At the stated pressure in psi.

Drip Free™ spray set-ups ensure positive shut-off and are provided for air atomizing assemblies containing a shut-off needle. For more information, call 1.800.95.SPRAY.



**PERFORMANCE DATA:
PRESSURE SPRAY SET-UPS | INTERNAL MIX | ROUND SPRAY**

Spray Set-up No.	Spray Set-up Consists of Fluid and Air Cap Combination	Liquid Capacity (gallons per hour)* and Air Capacity (standard cubic feet per minute)*														Spray Dimensions			
		Liquid Pressure																	
		10 psi			20 psi			30 psi			40 psi			60 psi			Spray Angle A (°)	B (in.)	C (ft.)
		Air Press.	gph	scfm	Air Press.	gph	scfm	Air Press.	gph	scfm	Air Press.	gph	scfm	Air Press.	gph	scfm			
SU22B	Fluid Cap 40100 + Air Cap 1401110	16.0	3.44	2.68	28	5.03	3.71	40	6.10	4.72	48	7.75	5.30	65	10.7	6.74	18 - 21	26 - 38	16 - 30
		20	2.35	3.20	32	3.70	4.17	44	5.03	5.17	55	5.95	6.07	75	8.67	7.73			
		24	1.54	3.70	40	1.85	5.13	55	2.30	6.50	75	1.95	8.50	85	6.65	8.80			
		28	.96	4.22	48	.90	6.10	65	1.08	7.75	85	1.00	9.70	95	4.63	10.0			
SU22	Fluid Cap 60100 + Air Cap 1401110	12.0	8.1	2.00	20	13.6	2.55	30	16.3	3.25	38	19.5	3.74	54	25.7	4.66	17 - 21	24 - 36	16 - 28
		16.0	4.9	2.66	24	10.2	3.15	38	9.9	4.32	46	13.6	4.71	65	18.5	5.98			
		18.0	3.4	3.00	26	8.6	3.45	40	8.7	4.61	50	10.8	5.30	70	15.2	6.68			
		-	-	-	28	7.2	3.75	42	7.6	4.90	52	9.6	5.58	75	12.2	7.80			
		-	-	-	30	5.9	4.05	44	6.6	5.20	54	8.6	5.85	80	10.0	8.14			
		-	-	-	32	4.6	4.35	46	5.6	5.50	56	7.6	6.14	85	8.0	8.90			
SU42	Fluid Cap 100150 + Air Cap 1891125	14.0	11.7	3.05	20	27.5	3.04	28	36.6	3.55	32	49.4	3.31	42	70.6	3.17	19 - 22	35 - 46	20 - 30
		16.0	8.5	3.60	22	23.0	3.49	30	32.6	3.96	36	42.2	4.10	46	65.0	3.85			
		-	-	-	24	18.0	3.95	32	28.7	4.36	40	35.1	4.90	50	59.0	4.63			
		-	-	-	26	14.4	4.40	34	24.8	4.78	44	28.0	5.66	54	53.2	5.40			
		-	-	-	28	11.3	4.85	36	20.9	5.20	46	24.5	6.05	58	47.4	6.16			
		-	-	-	-	-	-	38	17.5	5.60	48	21.3	6.45	65	37.8	7.54			
		-	-	-	-	-	-	40	14.6	6.03	50	18.4	6.86	70	30.0	8.55			

*At the stated pressure in psi.

Drip Free™ spray set-ups ensure positive shut-off and are provided for air atomizing assemblies containing a shut-off needle. For more information, call 1.800.95.SPRAY.

PLACING YOUR ORDER

**Call 1.800.95.SPRAY for application assistance
or to place an order.**





**PERFORMANCE DATA:
PRESSURE SPRAY SET-UPS | INTERNAL MIX | WIDE ANGLE ROUND SPRAY**

For a wide angle round spray, dimensions "A" and "B" are the pattern widths at distances from the nozzle.

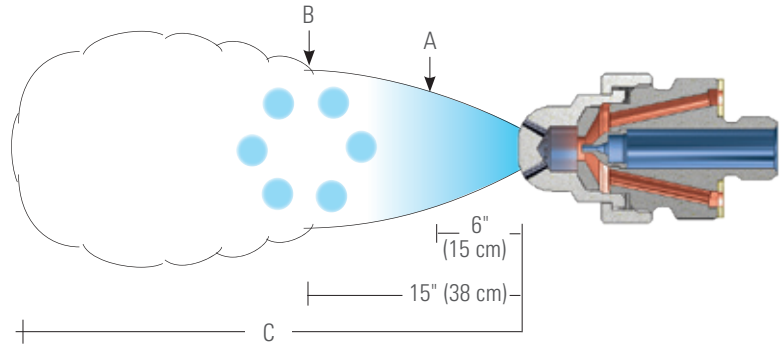
The total distance of spray projection from the nozzle to the maximum dispersal point is represented by "C".

Liquid is supplied to this spray set-up under pressure.

Liquid and compressed air or gas are mixed internally to produce a completely atomized spray.

When ordering only a spray set-up, 3199 retainer ring and 3612 gasket must be ordered separately. These components are included in a complete air atomizing nozzle assembly.

Please contact your sales engineer for more information.



Spray Set-up No.	Spray Set-up Consists of Fluid and Air Cap Combination	Liquid Capacity (gallons per hour)* and Air Capacity (standard cubic feet per minute)*															Spray Dimensions		
		Liquid Pressure															A (in.)	B (in.)	C (ft.)
		10 psi			20 psi			30 psi			40 psi			60 psi					
		Air Press.	gph	scfm	Air Press.	gph	scfm	Air Press.	gph	scfm	Air Press.	gph	scfm	Air Press.	gph	scfm			
SU16	Fluid Cap 2050 + Air Cap 67-6-20-70°	8.0	1.41	.36	14	2.10	.42	22	2.36	.56	30	2.53	.68	44	2.95	.81	5-1/2 - 7-1/2	9 - 12	5 - 13
		12.0	.79	.50	18	1.68	.56	30	1.61	.83	38	1.90	.94	55	2.30	1.20			
		14.0	.45	.60	20	1.44	.64	34	1.15	1.00	42	1.50	1.1	60	1.92	1.40			
		-	-	-	22	1.17	.71	36	.91	1.07	46	1.10	1.26	65	1.50	1.60			
		-	-	-	24	.91	.80	38	.68	1.16	48	.90	1.35	70	1.07	1.80			
SU26B	Fluid Cap 40100 + Air Cap 140-6-37-70°	12.0	1.85	1.78	22	3.30	2.30	30	5.10	2.54	38	6.40	2.84	54	8.76	3.44	7 - 8-1/2	12-1-1/2 - 14-1-1/2	6 - 19-1/2
		14.0	.55	2.20	24	2.20	2.67	32	4.25	2.85	42	4.70	3.42	56	8.10	3.74			
		-	-	-	26	1.20	3.05	34	3.35	3.18	44	3.90	3.72	58	7.44	4.03			
		-	-	-	-	-	-	36	2.50	3.50	46	3.06	4.05	60	6.76	4.32			
		-	-	-	-	-	-	38	1.60	3.85	48	2.25	4.42	65	5.10	5.10			
		-	-	-	-	-	-	40	.70	4.30	50	1.40	4.84	70	3.50	6.00			
		-	-	-	-	-	-	-	-	-	52	.60	5.34	75	1.85	6.95			
SU26	Fluid Cap 60100 + Air Cap 140-6-37-70°	10.0	6.3	1.14	20	9.0	1.60	30	11.2	2.04	40	12.4	2.54	56	16.2	2.75	7-1/2 - 8	14 - 15-1/2	7 - 22-1/2
		12.0	3.6	1.54	22	6.9	2.00	32	9.3	2.44	42	10.6	2.92	58	14.8	3.11			
		14.0	2.0	2.00	24	5.1	2.40	34	7.4	2.80	44	8.8	3.33	60	13.8	3.50			
		-	-	-	26	3.3	2.80	36	5.4	3.20	46	7.1	3.72	65	9.8	4.42			
		-	-	-	-	-	-	38	3.6	3.60	48	5.4	4.14	70	6.5	5.36			
		-	-	-	-	-	-	40	2.3	3.98	50	3.6	4.51	75	4.0	6.31			
		-	-	-	-	-	-	-	-	-	52	2.2	4.91	80	2.4	6.51			
SU29	Fluid Cap 60100 + Air Cap 140-6-52-70°	18.0	9.4	3.0	30	13.4	4.15	44	15.3	5.45	60	15.6	7.05	80	21.4	8.55	8 - 9-1/2	13 - 16	18 - 34
		22	7.7	3.6	34	11.9	4.65	48	13.8	5.9	70	12.5	8.25	85	19.5	9.15			
		26	6.0	4.13	38	10.3	5.1	55	11.3	6.75	80	9.3	9.45	90	17.9	9.75			
		30	4.4	4.7	46	7.3	6.1	70	6.1	8.6	90	6.2	10.7	100	15.1	10.95			
		34	3.0	5.25	60	2.4	7.95	80	3.3	9.85	100	3.7	11.9	-	-	-			

*At the stated pressure in psi.

Drip Free™ spray set-ups ensure positive shut-off and are provided for air atomizing assemblies containing a shut-off needle. For more information, call 1.800.95.SPRAY.



**PERFORMANCE DATA:
PRESSURE SPRAY SET-UPS | INTERNAL MIX | WIDE ANGLE ROUND SPRAY**

Spray Set-up No.	Spray Set-up Consists of Fluid and Air Cap Combination	Liquid Capacity (gallons per hour)* and Air Capacity (standard cubic feet per minute)*															Spray Dimensions		
		Liquid Pressure																	
		10 psi			20 psi			30 psi			40 psi			60 psi			A (in.)	B (in.)	C (ft.)
		Air Press.	gph	scfm	Air Press.	gph	scfm	Air Press.	gph	scfm	Air Press.	gph	scfm	Air Press.	gph	scfm			
SU30	Fluid Cap 40100 + Air Cap 120-6-35-60°	16.0	3.24	1.43	28	4.60	1.96	42	5.27	2.67	55	5.69	3.30	80	7.10	4.50	6 - 7-1/2	9 - 11	9 - 31
		20	2.08	1.75	36	2.45	2.55	48	3.45	3.11	65	3.15	4.06	90	4.65	5.27			
		24	1.30	2.06	42	1.45	3.00	55	2.11	3.63	75	1.72	4.82	100	3.00	6.03			
		28	.82	2.35	46	1.0	3.28	65	1.03	4.36	85	1.05	5.58	-	-	-			
SU46	Fluid Cap 100150 + Air Cap 189-6-62-70°	24	6.7	5.5	38	10.7	7.4	48	16.5	8.8	60	18.6	10.4	85	29.2	13.7	9-1/2 - 13	18 - 23	18 - 32
		28	4.0	6.3	44	6.2	8.7	56	9.2	10.4	70	10.0	12.4	95	20.7	15.8			
		32	2.0	7.2	48	4.0	9.5	62	5.6	11.7	80	5.5	14.5	-	-	-			
		-	-	-	50	3.0	9.9	65	4.4	12.3	85	4.0	15.5	-	-	-			
		-	-	-	52	2.4	10.3	70	2.6	13.3	90	2.5	16.6	-	-	-			

*At the stated pressure in psi.



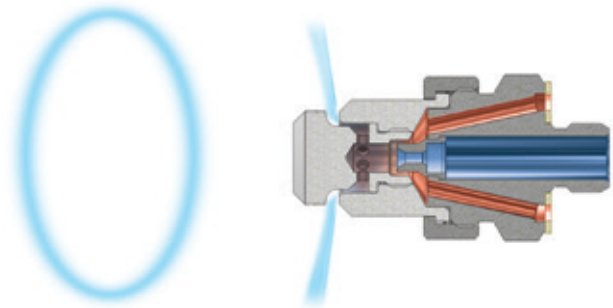
**PERFORMANCE DATA:
PRESSURE SPRAY SET-UPS | INTERNAL MIX | 360° CIRCULAR SPRAY**

Liquid is supplied to this spray set-up under pressure.

Liquid and compressed air or gas are mixed internally to produce a completely atomized spray.

When ordering only a spray set-up, 3199 retainer ring and 3612 gasket must be ordered separately. These components are included in a complete air atomizing nozzle assembly.

Please contact your sales engineer for more information.



360° circular spray pattern

Spray Set-up No.	Spray Set-up Consists of Fluid and Air Cap Combination	Liquid Capacity (gallons per hour)* and Air Capacity (standard cubic feet per minute)*														
		Liquid Pressure														
		10 psi			20 psi			30 psi			40 psi			60 psi		
		Air Press.	gph	scfm	Air Press.	gph	scfm	Air Press.	gph	scfm	Air Press.	gph	scfm	Air Press.	gph	scfm
SU340C	Fluid Cap 60150 + Air Cap 189-6-62-160HC	20	4.0	2.45	34	6.6	4.09	50	7.1	6.38	60	11.0	7.6	85	14.4	11.8
		22	2.8	2.7	38	4.4	4.8	52	6.2	6.75	65	8.3	8.63	90	12.0	13.0
		24	2.0	2.97	42	2.8	5.5	56	4.4	7.55	70	6.1	9.78	95	9.8	14.1
		26	1.5	3.3	46	1.7	6.34	60	3.2	8.41	80	3.1	12.44	100	7.8	15.4
		28	1.1	3.62	48	1.3	6.85	70	1.3	11.75	90	1.4	15.4	-	-	-

*At the stated pressure in psi.

Drip Free™ spray set-ups ensure positive shut-off and are provided for air atomizing assemblies containing a shut-off needle. For more information, call 1.800.95.SPRAY.





**PERFORMANCE DATA:
PRESSURE SPRAY SET-UPS | INTERNAL MIX | FLAT SPRAY**

For a flat spray pattern, "A" and "B" are the pattern widths at distances from the nozzle.

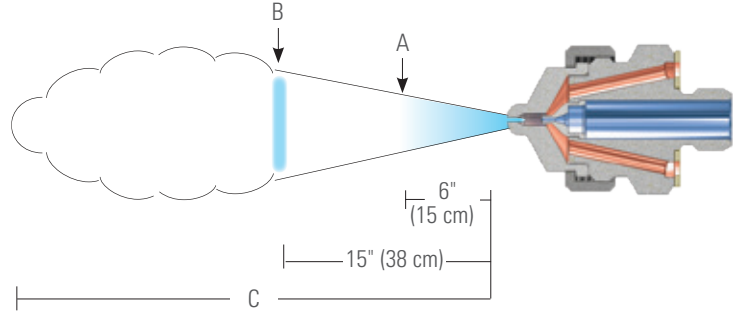
The total distance of spray projection from the nozzle to the maximum dispersal point is represented by "C".

Liquid is supplied to this spray set-up under pressure.

Liquid and compressed air or gas are mixed internally to produce a completely atomized spray.

When ordering only a spray set-up, 3199 retainer ring and 3612 gasket must be ordered separately. These components are included in a complete air atomizing nozzle assembly.

Please contact your sales engineer for more information



Spray Set-up No.	Spray Set-up Consists of Fluid and Air Cap Combination	Liquid Capacity (gallons per hour)* and Air Capacity (standard cubic feet per minute)*															Spray Dimensions		
		Liquid Pressure															A (in.)	B (in.)	C (ft.)
		10 psi			20 psi			30 psi			40 psi			60 psi					
Air Press.	gph	scfm	Air Press.	gph	scfm	Air Press.	gph	scfm	Air Press.	gph	scfm	Air Press.	gph	scfm	Air Press.	gph	scfm		
SU13A	Fluid Cap 2050 + Air Cap 73328	10.0	1.44	.84	18.0	2.17	1.12	28	2.49	1.47	38	2.77	1.84	55	3.41	2.43	10 - 22	18 - 37	8-1/2 - 13
		14.0	1.09	1.08	26	1.50	1.50	36	1.89	1.82	46	2.20	2.19	75	2.26	3.26			
		16.0	.93	1.20	30	1.20	1.68	40	1.58	2.00	50	1.93	2.37	85	1.69	3.67			
		20	.65	1.43	38	.68	2.07	48	1.03	2.36	65	.93	3.02	95	1.13	4.09			
		22	.53	1.55	40	.57	2.16	55	.65	2.68	70	.65	3.25	100	.88	4.29			
SU13	Fluid Cap 2850 + Air Cap 73328	12.0	2.17	.70	20	3.35	.96	30	3.98	1.27	38	4.66	1.49	65	4.8	2.38	14 - 23	28 - 38	7 - 10-1/2
		16.0	1.45	.95	28	2.06	1.34	38	2.85	1.64	46	3.6	1.85	75	3.63	2.86			
		20	.77	1.2	32	1.44	1.56	46	1.72	2.07	60	1.76	2.58	85	2.48	3.35			
		-	-	-	34	1.18	1.67	48	1.43	2.18	65	1.2	2.84	90	1.98	3.60			
		-	-	-	36	.94	1.78	50	1.2	2.28	70	.76	3.09	95	1.57	3.85			
SUN13	Fluid Cap 2850 + Air Cap 73335	16.0	2.1	1.05	26	2.8	1.38	38	2.9	1.86	44	3.8	1.99	65	4.4	2.73	4 - 8	7 - 13	10 - 16
		20	1.4	1.26	34	1.5	1.87	46	1.8	2.36	54	2.6	2.55	75	3.4	3.25			
		24	.81	1.54	38	1.2	2.1	50	1.4	2.58	60	1.9	2.98	80	3.0	3.57			
		32	.30	1.96	48	.39	2.69	70	.33	3.65	85	.40	4.27	100	2.0	4.65			
SU14	Fluid Cap 2850 + Air Cap 73320	18.0	1.04	1.05	30	1.56	1.43	42	2.06	1.75	55	2.16	2.15	75	3.20	2.66	10 - 25	18 - 38	6 - 7-1/2
		22	.62	1.25	36	.90	1.70	46	1.57	1.94	65	1.15	2.62	85	2.19	3.13			
		26	.35	1.45	40	.60	1.88	50	1.13	2.13	-	-	-	-	-	-			
		28	.25	1.55	42	.47	1.97	55	.70	2.36	-	-	-	-	-	-			
		-	-	-	44	.35	2.07	-	-	-	-	-	-	-	-	-			
SUN23	Fluid Cap 60100 + Air Cap 125340	16.0	2.9	.97	26	6.0	1.44	36	7.8	1.96	46	9.7	2.46	60	16.7	2.97	4 - 8	6 - 14	8 - 13
		20	.84	1.42	30	3.4	1.82	40	5.2	2.53	52	5.7	3.3	70	9.7	4.33			
		-	-	-	34	1.3	2.32	46	2.6	3.25	60	2.4	4.36	90	1.8	7.4			
		-	-	-	36	.80	2.61	50	1.1	3.72	65	1.1	5.04	95	.70	8.38			
SU23B	Fluid Cap 40100 + Air Cap 125328	16.0	2.95	1.92	28	4.45	2.66	38	5.94	3.22	46	7.50	3.66	65	9.70	4.80	6 - 13	8 - 19	10 - 13
		20	1.72	2.30	32	3.30	3.04	42	4.86	3.55	52	5.90	4.15	75	7.50	5.60			
		24	1.00	2.70	36	2.28	3.40	46	3.78	3.93	56	4.87	4.50	85	5.30	6.48			
		-	-	-	-	-	-	48	3.25	4.12	58	4.34	4.70	90	4.25	6.96			

*At the stated pressure in psi.

Drip Free™ spray set-ups ensure positive shut-off and are provided for air atomizing assemblies containing a shut-off needle. For more information, call 1.800.95.SPRAY.



**PERFORMANCE DATA:
PRESSURE SPRAY SET-UPS | INTERNAL MIX | FLAT SPRAY**

Spray Set-up No.	Spray Set-up Consists of Fluid and Air Cap Combination	Liquid Capacity (gallons per hour)* and Air Capacity (standard cubic feet per minute)*															Spray Dimensions			
		Liquid Pressure																		
		10 psi			20 psi			30 psi			40 psi			60 psi			A (in.)	B (in.)	C (ft.)	
Air Press.	gph	scfm	Air Press.	gph	scfm	Air Press.	gph	scfm	Air Press.	gph	scfm	Air Press.	gph	scfm	Air Press.	gph	scfm			
SU23	Fluid Cap 60100 + Air Cap 125328	12.0	7.0	1.15	22	11.5	1.65	34	12.4	2.20	46	13.7	2.75	65	18.3	3.56	7 - 13	12 - 20	11 - 14-1/2	
		16.0	4.2	1.57	30	6.0	2.40	42	7.8	2.95	54	8.7	3.51	80	10.6	4.95				
		20	2.7	1.97	34	4.3	2.78	48	5.0	3.52	60	6.4	4.06	90	6.9	5.85				
		22	2.0	2.20	36	3.6	2.97	50	4.3	3.71	65	4.6	4.53	95	5.5	6.30				
		-	-	-	38	3.0	3.16	52	3.7	3.90	70	3.3	5.00	100	4.5	6.76				
SU43	Fluid Cap 100150 + Air Cap 189351	14.0	7.7	3.17	26	10.5	4.55	34	20.8	4.75	42	29.4	5.15	58	44.7	6.05	7 - 14	10 - 23	11 - 17	
		16.0	5.0	3.83	28	7.0	5.15	36	16.6	5.25	44	25.1	5.6	60	41.0	6.42				
		-	-	-	-	-	-	38	12.8	5.8	46	20.8	6.05	65	31.4	7.45				
		-	-	-	-	-	-	42	6.7	6.85	50	13.1	7.15	75	15.0	10.1				
		-	-	-	-	-	-	-	-	-	52	10.0	7.75	80	8.7	11.45				
		-	-	-	-	-	-	-	-	-	54	7.3	8.3	-	-	-				

*At the stated pressure in psi.



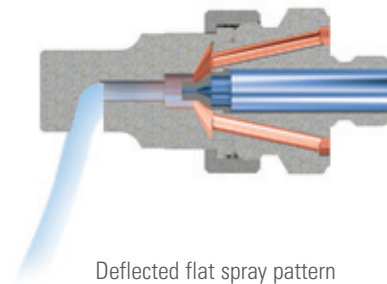
**PERFORMANCE DATA:
PRESSURE SPRAY SET-UPS | INTERNAL MIX | DEFLECTED FLAT SPRAY**

Liquid is supplied to this spray set-up under pressure.

Liquid and compressed air or gas are mixed internally to produce a completely atomized spray.

When ordering only a spray set-up, 3199 retainer ring and 3612 gasket must be ordered separately. These components are included in a complete air atomizing nozzle assembly.

Please contact your sales engineer for more information.



Spray Set-up No.	Spray Set-up Consists of Fluid and Air Cap Combination	Liquid Capacity (gallons per hour)* and Air Capacity (standard cubic feet per minute)*															
		Liquid Pressure															
		10 psi			20 psi			30 psi			40 psi			60 psi			
Air Press.	gph	scfm	Air Press.	gph	scfm	Air Press.	gph	scfm	Air Press.	gph	scfm	Air Press.	gph	scfm	Air Press.	gph	scfm
SU240E	Fluid Cap 28150 + Air Cap 189110-75°	6.0	2.9	1.6	14.0	3.9	2.6	22	4.7	3.3	26	5.8	3.6	38	7.4	4.6	
		8.0	2.5	1.9	16.0	3.5	2.8	24	4.3	3.6	32	4.8	4.4	46	6.4	5.5	
		10.0	2.0	2.3	18.0	3.1	3.1	26	4.0	3.8	38	3.8	5.3	54	5.3	6.6	
		12.0	1.5	2.7	20	2.8	3.5	30	3.3	4.5	44	2.8	6.2	62	4.2	7.8	
		-	-	-	22	2.3	3.8	34	2.3	5.2	46	2.3	6.6	70	2.8	9.4	

*At the stated pressure in psi.

Drip Free™ spray set-ups ensure positive shut-off and are provided for air atomizing assemblies containing a shut-off needle. For more information, call 1.800.95.SPRAY.





**PERFORMANCE DATA:
PRESSURE SPRAY SET-UPS | EXTERNAL MIX | FLAT SPRAY**

For a flat spray pattern, "A" and "B" are the pattern widths at distances from the nozzle.

The total distance of spray projection from the nozzle to the maximum dispersal point is represented by "C".

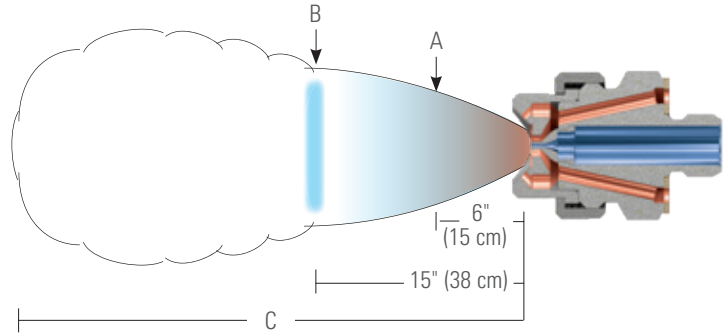
Liquid is supplied to this spray set-up under pressure.

The liquid and compressed air or gas are mixed externally to produce a completely atomized spray.

For external mix spray set-ups, atomization can be controlled by varying the air pressure without changing liquid flow rate.

When ordering only a spray set-up, 3199 retainer ring and 3612 gasket must be ordered separately. These components are included in a complete air atomizing nozzle assembly.

Please contact your sales engineer for more information.



Spray Set-up No.	Spray Set-up Consists of Fluid and Air Cap Combination	Liquid Capacity (gallons per hour)* and Air Capacity (standard cubic feet per minute)*														Spray Dimensions			
		Liquid Pressure														A (in.)	B (in.)	C (ft.)	
		3 psi			5 psi			10 psi			20 psi			40 psi					
Air Press.	gph	scfm	Air Press.	gph	scfm	Air Press.	gph	scfm	Air Press.	gph	scfm	Air Press.	gph	scfm	Air Press.	gph	scfm		
SUE15B	Fluid Cap 1650 + Air Cap 67228-45°	3.0	.80	.89	5.0	1.0	.93	10.0	1.4	1.1	20	2.0	1.6	40	2.8	2.6	3-1/2 - 6	9 - 11	3 - 8
		10.0	.80	1.1	15.0	1.0	1.4	20	1.4	1.6	30	2.0	2.1	60	2.8	3.6			
		15.0	.80	1.4	20	1.0	1.6	25	1.4	1.9	40	2.0	2.6	70	2.8	4.2			
		20	.80	1.6	25	1.0	1.9	30	1.4	2.1	50	2.0	3.0	75	2.8	4.5			
		30	.80	2.1	40	1.0	2.6	50	1.4	3.0	80	2.0	4.9	90	2.8	5.6			
SUE18B	Fluid Cap 1650 + Air Cap 62240-60°	5.0	.80	.78	5.0	1.0	.78	6.0	1.4	.88	8.0	2.0	1.0	10.0	2.8	1.2	8 - 12	13 - 20	4 - 9
		6.0	.80	.88	6.0	1.0	.88	8.0	1.4	1.0	10.0	2.0	1.2	15.0	2.8	1.6			
		7.0	.80	.97	8.0	1.0	1.0	10.0	1.4	1.2	15.0	2.0	1.6	25	2.8	2.2			
		8.0	.80	1.0	10.0	1.0	1.2	12.0	1.4	1.4	20	2.0	1.9	35	2.8	2.8			
SUE15A	Fluid Cap 2050 + Air Cap 67228-45°	5.0	1.2	.93	10.0	1.6	1.1	15.0	2.2	1.4	25	3.1	1.9	45	4.4	2.9	3 - 6	8-1/2 - 12	3-1/2 - 10
		15.0	1.2	1.4	20	1.6	1.6	25	2.2	1.9	40	3.1	2.6	60	4.4	3.6			
		25	1.2	1.9	30	1.6	2.1	40	2.2	2.6	60	3.1	3.6	75	4.4	4.5			
		30	1.2	2.1	40	1.6	2.6	50	2.2	3.0	70	3.1	4.2	90	4.4	5.6			
SUE18A	Fluid Cap 2050 + Air Cap 62240-60°	5.0	1.2	.78	5.0	1.6	.78	8.0	2.2	1.0	10.0	3.1	1.2	15.0	4.4	1.6	11 - 16	16 - 26	5 - 10
		8.0	1.2	1.0	10.0	1.6	1.2	10.0	2.2	1.2	20	3.1	1.9	20	4.4	1.9			
		10.0	1.2	1.2	15.0	1.6	1.6	20	2.2	1.9	30	3.1	2.5	30	4.4	2.5			
		15.0	1.2	1.6	20	1.6	1.9	30	2.2	2.5	35	3.1	2.8	35	4.4	2.8			
SUE15	Fluid Cap 2850 + Air Cap 67228-45°	10.0	2.3	1.1	15.0	3.0	1.4	20	4.2	1.6	35	6.0	2.4	50	8.4	3.0	5 - 6-1/2	9-1/2 - 14	4 - 13
		20	2.3	1.6	25	3.0	1.9	30	4.2	2.1	50	6.0	3.0	70	8.4	4.2			
		30	2.3	2.1	40	3.0	2.6	50	4.2	3.0	70	6.0	4.2	80	8.4	4.9			
		40	2.3	2.6	50	3.0	3.0	60	4.2	3.6	80	6.0	4.9	90	8.4	5.6			
		50	2.3	3.0	60	3.0	3.6	70	4.2	4.2	90	6.0	5.6	100	8.4	6.2			

*At the stated pressure in psi.

Anti-bearding set-ups are available to reduce nozzle build-up and maintenance time for select external mix air atomizing nozzles. Drip Free™ spray set-ups ensure positive shut-off and are provided for air atomizing assemblies containing a shut-off needle. For more information, call 1.800.95.SPRAY.



**PERFORMANCE DATA:
PRESSURE SPRAY SET-UPS | EXTERNAL MIX | FLAT SPRAY**

Spray Set-up No.	Spray Set-up Consists of Fluid and Air Cap Combination	Liquid Capacity (gallons per hour)* and Air Capacity (standard cubic feet per minute)*															Spray Dimensions		
		Liquid Pressure																	
		3 psi			5 psi			10 psi			20 psi			40 psi			A (in.)	B (in.)	C (ft.)
		Air Press.	gph	scfm	Air Press.	gph	scfm	Air Press.	gph	scfm	Air Press.	gph	scfm	Air Press.	gph	scfm			
SUE18	Fluid Cap 2850 + Air Cap 62240-60°	6.0	2.3	.88	6.0	3.0	.88	6.0	4.2	.88	10.0	6.0	1.2	20	8.4	1.9	14 - 16	24 - 27	6 - 9-1/2
		7.0	2.3	.97	8.0	3.0	1.0	8.0	4.2	1.0	12.0	6.0	1.4	25	8.4	2.2			
		8.0	2.3	1.0	9.0	3.0	1.1	10.0	4.2	1.2	15.0	6.0	1.6	30	8.4	2.5			
		10.0	2.3	1.2	10.0	3.0	1.2	12.0	4.2	1.4	20	6.0	1.9	35	8.4	2.8			
SUE25B	Fluid Cap 35100 + Air Cap 134255-45°	10.0	3.6	3.0	15.0	4.7	3.6	20	6.6	4.1	35	9.4	6.3	45	13.2	7.5	5 - 6-1/2	10 - 14-1/2	5-1/2 - 16
		20	3.6	4.1	25	4.7	4.9	30	6.6	5.5	50	9.4	8.0	55	13.2	9.0			
		30	3.6	5.5	40	4.7	6.9	40	6.6	6.9	70	9.4	11.0	70	13.2	11.1			
		40	3.6	6.9	50	4.7	8.0	50	6.6	8.0	80	9.4	12.7	80	13.2	12.7			
		50	3.6	8.0	60	4.7	9.4	60	6.6	9.4	90	9.4	14.5	90	13.2	14.5			
SUE28B	Fluid Cap 35100 + Air Cap 122281-60°	8.0	3.6	3.2	10.0	4.7	3.6	20	6.6	5.5	30	9.4	7.4	45	13.2	10.0	13 - 15	19 - 28	12-1/2 - 16
		10.0	3.6	3.6	15.0	4.7	4.6	30	6.6	7.4	40	9.4	9.1	60	13.2	12.6			
		15.0	3.6	4.6	25	4.7	6.5	35	6.6	8.3	50	9.4	10.9	75	13.2	15.2			
		20	3.6	5.5	30	4.7	7.4	40	6.6	9.1	60	9.4	12.6	80	13.2	16.0			
SUE25A	Fluid Cap 40100 + Air Cap 134255-45°	10.0	4.8	3.0	20	6.1	4.1	25	8.7	4.9	40	12.3	6.9	50	17.4	8.2	6 - 7	10-1/2 - 14-1/2	7 - 19
		20	4.8	4.1	30	6.1	5.5	35	8.7	6.3	50	12.3	8.0	70	17.4	11.1			
		30	4.8	5.5	40	6.1	6.9	50	8.7	8.0	70	12.3	11.0	80	17.4	12.7			
		40	4.8	6.9	50	6.1	8.0	60	8.7	9.4	80	12.3	12.7	90	17.4	14.5			
		50	4.8	8.0	60	6.1	9.4	70	8.7	11.0	90	12.3	14.5	95	17.4	15.1			
SUE28A	Fluid Cap 40100 + Air Cap 122281-60°	8.0	4.8	3.2	10.0	6.1	3.6	15.0	8.7	4.6	35	12.3	8.3	50	17.4	10.9	12 - 15	20 - 25	10 - 17
		15.0	4.8	4.6	20	6.1	5.5	25	8.7	6.5	45	12.3	10.0	65	17.4	13.5			
		20	4.8	5.5	25	6.1	6.5	35	8.7	8.3	55	12.3	11.7	85	17.4	16.8			
		25	4.8	6.5	30	6.1	7.4	40	8.7	9.1	60	12.3	12.6	95	17.4	18.5			
SUE28	Fluid Cap 60100 + Air Cap 122281-60°	15.0	9.9	4.6	20	12.7	5.5	30	18.0	7.4	50	25.5	10.9	85	36.0	16.8	15 - 19	26 - 33	12 - 19
		20	9.9	5.5	30	12.7	7.4	40	18.0	9.1	70	25.5	14.3	95	36.0	18.5			
		25	9.9	6.5	35	12.7	8.3	45	18.0	10.0	80	25.5	16.0	100	36.0	19.4			
SUE25	Fluid Cap 60100 + Air Cap 134255-45°	20	9.9	4.1	30	12.7	5.5	40	18.0	6.9	50	25.5	8.0	60	36.0	9.7	6 - 8	10 - 15-1/2	9 - 19-1/2
		30	9.9	5.5	40	12.7	6.9	50	18.0	8.0	60	25.5	9.4	70	36.0	11.1			
		40	9.9	6.9	50	12.7	8.0	70	18.0	11.0	80	25.5	12.7	90	36.0	14.5			
		50	9.9	8.0	60	12.7	9.4	80	18.0	12.7	90	25.5	14.5	100	36.0	16.0			
SUE45B	Fluid Cap 60150 + Air Cap 200278-45°	30	10.0	9.2	30	12.9	9.2	40	18.0	11.6	60	25.5	15.7	-	-	-	6 - 6-1/2	11-1/2 - 13-1/2	10 - 18
		40	10.0	11.6	40	12.9	11.6	50	18.0	13.4	70	25.5	18.4	-	-	-			
		50	10.0	13.4	50	12.9	13.4	60	18.0	15.7	80	25.5	21.2	-	-	-			
		60	10.0	15.7	60	12.9	15.7	70	18.0	18.4	90	25.5	24.2	-	-	-			
SUE45A	Fluid Cap 80150 + Air Cap 200278-45°	30	17.4	9.2	40	22.5	11.6	55	31.5	14.5	70	44.7	18.4	-	-	-	6-1/2 - 8	13-1/2 - 15	11-1/2 - 20
		40	17.4	11.6	50	22.5	13.4	65	31.5	17.0	80	44.7	21.2	-	-	-			
		50	17.4	13.4	60	22.5	15.7	75	31.5	20.0	90	44.7	24.2	-	-	-			
		60	17.4	15.7	70	22.5	18.4	80	31.5	21.2	-	-	-	-	-	-			
		70	17.4	18.4	80	22.5	21.2	90	31.5	24.2	-	-	-	-	-	-			
SUE45	Fluid Cap 100150 + Air Cap 200278-45°	40	27.9	11.6	50	36.0	13.4	65	50.6	17.0	80	72.0	21.2	-	-	-	7-1/2 - 8-1/2	14 - 16	15 - 20
		50	27.9	13.4	60	36.0	15.7	75	50.6	20.0	90	72.0	24.2	-	-	-			
		60	27.9	15.7	70	36.0	18.5	85	50.6	22.5	-	-	-	-	-	-			
		70	27.9	18.4	80	36.0	21.2	-	-	-	-	-	-	-	-	-			

*At the stated pressure in psi.

Anti-bearding set-ups are available to reduce nozzle build-up and maintenance time for select external mix air atomizing nozzles. Drip Free™ spray set-ups ensure positive shut-off and are provided for air atomizing assemblies containing a shut-off needle. For more information, call 1.800.95.SPRAY.





**PERFORMANCE DATA:
SIPHON/GRAVITY SPRAY SET-UPS | INTERNAL MIX | FLAT SPRAY**

For a flat spray pattern, "A" and "B" are the pattern widths at distances from the nozzle.

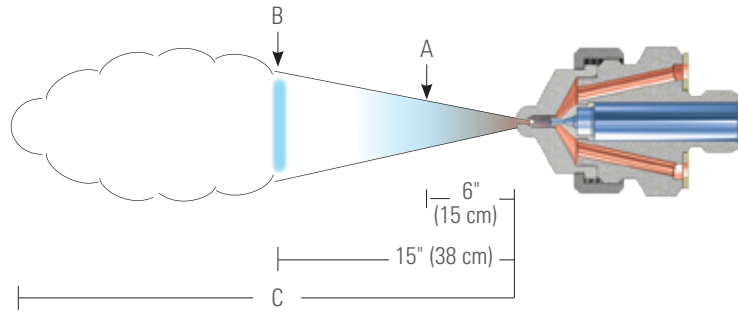
The total distance of spray projection from the nozzle to the maximum dispersal point is represented by "C".

Liquid is supplied to this spray set-up by either a liquid siphon or a gravity-feed.

Liquid is drawn through the feed line into the air flow where it is atomized.

When ordering only a spray set-up, 3199 retainer ring and 3612 gasket must be ordered separately. These components are included in a complete air atomizing nozzle assembly.

Please contact your sales engineer for more information.



Spray Set-up No.	Spray Set-up Consists of Fluid and Air Cap Combination	Atomizing Air		Liquid Capacity (gallons per hour)*								Spray Dimensions at 8" Siphon Height		
		Air Press.	Air Capacity scfm	Gravity Head (in.)			Siphon Height (in.)					A (in.)	B (in.)	C (ft.)
				18	12	6	4	8	12	24	36			
SUF1	Fluid Cap 2850 + Air Cap 73420	10.0	.99	.35	.33	.30	.27	.25	.22	.17	.13	8 - 9	15	6 - 7
		20	1.42	.31	.30	.29	.26	.25	.23	.19	.16			
		30	1.83	.18	.16	.15	.11	.09	-	-	-			
SUF2C	Fluid Cap 35100 + Air Cap 120432	20	1.86	1.01	.95	.90	.77	.72	.67	.62	.56	9 - 11	15 - 19	9 - 10
		30	2.42	.88	.84	.81	.75	.71	.67	.63	.57			
		40	2.96	.76	.73	.69	.65	.61	.58	.53	.48			
		60	4.05	.44	.41	.37	.33	.30	.27	-	-			
SUF3B	Fluid Cap 40100 + Air Cap 122435	20	2.26	1.35	1.28	1.20	1.01	.96	.92	.78	.62	7-1/2 - 8-1/2	10-1/2 - 12	10 - 11
		30	2.88	1.26	1.21	1.14	.92	.87	.82	.74	.59			
		40	3.52	.98	.92	.87	.66	.59	.52	.44	-			
		50	4.13	.58	.52	.44	-	-	-	-	-			
SUF4B	Fluid Cap 40100 + Air Cap 122440	20	2.10	2.01	1.90	1.71	1.47	1.40	1.32	1.17	.92	6-1/2 - 8	10-1/2 - 13	11
		30	2.70	2.00	1.94	1.81	1.58	1.52	1.45	1.34	1.11			
		40	3.28	1.82	1.74	1.63	1.42	1.34	1.22	1.03	-			
		50	3.87	1.10	.97	.85	.69	-	-	-	-			

*At the stated pressure in psi.

Drip Free™ spray set-ups ensure positive shut-off and are provided for air atomizing assemblies containing a shut-off needle. For more information, call 1.800.95.SPRAY.





PERFORMANCE DATA:
SIPHON/GRAVITY SPRAY SET-UPS | EXTERNAL MIX | ROUND SPRAY

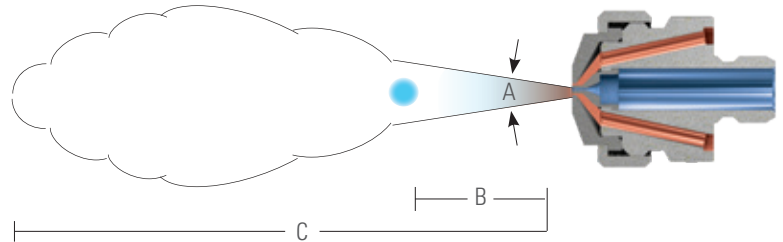
For a round spray pattern, angle "A" is maintained throughout distance "B". Beyond "B", the spray becomes turbulent and projects out to distance "C".

Liquid is supplied to this spray set-up by either a liquid siphon or a gravity-feed.

Liquid is drawn through the feed line into the air flow where it is atomized.

When ordering only a spray set-up, 3199 retainer ring and 3612 gasket must be ordered separately. These components are included in a complete air atomizing nozzle assembly.

Please contact your sales engineer for more information.

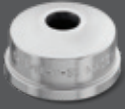


Spray Set-up No.	Spray Set-up Consists of Fluid and Air Cap Combination	Atomizing Air		Liquid Capacity (gallons per hour)*								Spray Dimensions at 8" Siphon Height		
		Air Press.	Air Capacity scfm	Gravity Head (in.)			Siphon Height (in.)					Spray Angle A (°)	B (in.)	C (ft.)
				18	12	6	4	8	12	24	36			
SU1A	Fluid Cap 1650 + Air Cap 64	10.0	.40	.39	.35	.30	.23	.18	.14	—	—	18	11 - 14	6 - 8-1/2
		20	.59	.46	.43	.39	.34	.31	.28	.14	—			
		40	.95	.54	.50	.47	.41	.38	.36	.28	.19			
		60	1.32	.59	.54	.49	.44	.41	.39	.31	.24			
SU1	Fluid Cap 2050 + Air Cap 64	10.0	.47	.63	.55	.46	.40	.32	.21	—	—	18 - 19	12 - 17	7 - 10
		20	.66	.73	.66	.60	.54	.48	.40	.21	.07			
		40	1.06	.87	.81	.76	.71	.67	.61	.43	.28			
		60	1.48	.98	.92	.88	.83	.79	.73	.57	.40			
SU2A	Fluid Cap 2050 + Air Cap 70	10.0	.81	.67	.61	.53	.43	.37	.29	—	—	18 - 20	12 - 17	8 - 13
		20	1.20	.76	.72	.64	.56	.50	.44	.21	—			
		40	1.94	.89	.86	.82	.76	.71	.65	.46	.30			
		60	2.70	.98	.96	.94	.91	.87	.81	.68	.56			
SU2	Fluid Cap 2850 + Air Cap 70	10.0	.68	1.19	1.05	.91	.56	.47	.38	—	—	21 - 22	15 - 20	10 - 15
		20	1.03	1.37	1.27	1.13	.88	.77	.68	.46	—			
		40	1.70	1.57	1.47	1.32	1.15	1.05	.91	.63	.28			
		60	2.39	1.48	1.41	1.30	1.08	1.02	.90	.74	.52			
SU4	Fluid Cap 60100 + Air Cap 120	20	1.90	5.80	5.15	4.20	3.10	2.65	1.90	.60	—	17 - 19	18 - 23	12 - 18
		40	3.00	6.50	5.95	5.10	4.30	3.70	3.00	1.55	.70			
		60	4.10	6.80	6.35	5.60	4.90	4.20	3.45	2.20	1.30			
		80	5.20	6.80	6.40	5.80	5.20	4.50	3.85	2.60	1.60			
SU5	Fluid Cap 100150 + Air Cap 180	30	5.3	—	—	—	7.2	6.0	4.6	—	—	20 - 22	20 - 25	22 - 27
		40	6.5	—	—	—	7.8	6.8	5.3	—	—			
		60	8.8	—	11.4	10.6	8.3	7.4	6.2	3.2	—			
		80	11.1	11.6	11.0	10.3	8.3	7.5	6.4	4.4	2.2			

*At the stated pressure in psi.

Anti-bearding set-ups are available to reduce nozzle build-up and maintenance time for select external mix air atomizing nozzles. Drip Free™ spray set-ups ensure positive shut-off and are provided for air atomizing assemblies containing a shut-off needle. For more information, call 1.800.95.SPRAY.





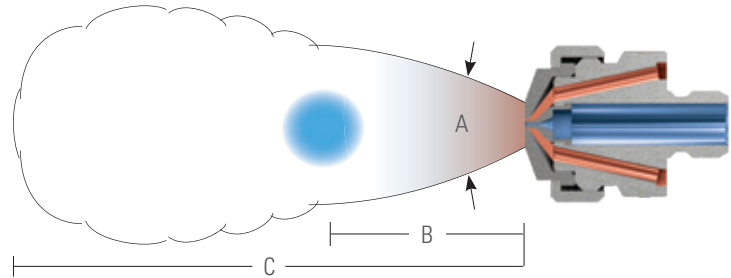
**PERFORMANCE DATA:
SIPHON/GRAVITY SPRAY SET-UPS | EXTERNAL MIX | WIDE ANGLE ROUND SPRAY**

For this wide angle round spray pattern, angle "A" is maintained throughout distance "B". Beyond "B", the spray becomes turbulent and projects out to distance "C".

Liquid is supplied to this spray set-up by either a liquid siphon or a gravity-feed.

Liquid is drawn through the feed line into the air flow where it is atomized.

Please contact your sales engineer for more information.



Spray Set-up No.	Atomizing Air		Liquid Capacity (gallons per hour)*							Spray Dimensions at 8" Siphon Height		
	Air Press.	Air Capacity scfm	Gravity Head (in.)			Siphon Height (in.)				Spray Angle A (°)	B (in.)	C (ft.)
			18	12	6	4	8	12	16			
D-SU1A-W D-SU1A-W-CO	7	1.21	.48	.48	.32	.32	.32	.32	.16	30 - 40	4 - 10	6 - 7
	10	1.53	.48	.48	.48	.48	.32	.32	.32			
	15	1.90	.63	.48	.48	.48	.48	.48	.48			
	22	2.60	.63	.63	.63	.63	.63	.63	.63			
D-SU1-W D-SU1-W-CO	7	1.69	.63	.63	.63	.48	.48	.48	.32	32 - 40	6 - 12	6 - 8
	10	2.06	.79	.79	.63	.63	.63	.63	.48			
	15	2.60	.95	.79	.79	.79	.79	.79	.63			
	22	3.47	1.11	.95	.95	.95	.95	.95	.79			
D-SU2A-W D-SU2A-W-CO	7	1.69	.63	.63	.63	.63	.48	.48	.32	30 - 40	6 - 12	6 - 9
	10	2.06	.79	.79	.79	.63	.63	.63	.48			
	15	2.60	.95	.95	.79	.79	.79	.79	.63			
	22	3.47	1.11	1.11	1.11	1.11	.95	.95	.95			
D-SU2-W D-SU2-W-CO	7	1.83	1.43	1.27	1.11	.95	.79	.79	.32	30 - 40	6 - 12	6 - 9
	10	2.26	1.59	1.43	1.27	1.11	1.11	.95	.63			
	15	2.87	1.74	1.59	1.43	1.27	1.27	1.27	.95			
	22	3.85	1.90	1.90	1.74	1.74	1.59	1.59	1.43			
D-SU4-W D-SU4-W-CO	7	2.15	7.13	6.50	5.55	3.17	2.54	2.06	.63	30 - 40	8 - 18	7 - 10
	10	2.66	7.45	6.97	5.86	3.80	3.17	2.69	1.43			
	15	3.36	8.24	7.45	6.50	4.60	3.80	3.49	2.22			
	22	4.49	8.88	8.40	7.45	5.55	4.76	4.12	3.01			
D-SU5-W D-SU5-W-CO	7	3.32	-	-	-	6.02	4.44	3.01	.95	30 - 40	10 - 22	7 - 11
	10	4.09	-	-	-	6.97	5.71	4.28	2.06			
	15	5.10	-	-	14.42	8.88	6.97	5.71	3.33			
	22	6.64	-	17.75	16.01	11.41	8.88	7.77	5.07			

*At the stated pressure in psi.

"CO" set-ups are used for nozzles with clean-out needles.





**PERFORMANCE DATA:
PRESSURE SPRAY SET-UPS | INTERNAL MIX | ROUND SPRAY**

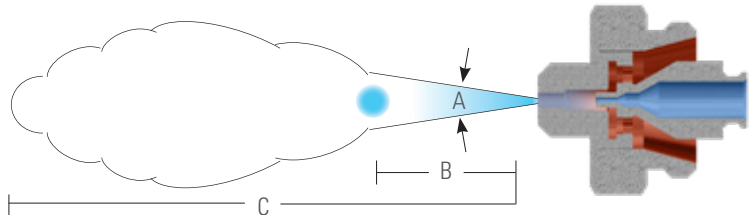
For a round spray pattern, angle "A" is maintained throughout distance "B". Beyond "B", the spray becomes turbulent and projects out to distance "C".

Liquid is supplied to this spray set-up under pressure.

Liquid and compressed air or gas are mixed internally to produce a completely atomized spray.

When ordering only a spray set-up, 12582 retainer ring and 7717-2/007 O-ring must be ordered separately. These components are included in a complete air atomizing nozzle assembly.

Please contact your sales engineer for more information.



Spray Set-up No.	Spray Set-up Consists of Fluid and Air Cap Combination	Liquid Capacity (gallons per hour)* and Air Capacity (standard cubic feet per minute)*															Spray Dimensions		
		Liquid Pressure															Spray Angle A (°)	B (in.)	C (ft.)
		10 psi			20 psi			30 psi			40 psi			60 psi					
		Air Press.	gph	scfm	Air Press.	gph	scfm	Air Press.	gph	scfm	Air Press.	gph	scfm	Air Press.	gph	scfm			
SUJ11	Fluid Cap J2050 + Air Cap J67147	10.0	.66	.55	14	1.50	.40	24	1.68	.56	32	1.86	.68	50	2.28	.98	13 - 15	12 - 17-1/2	9 - 14-1/2
		12.0	.48	.67	18	1.23	.50	28	1.44	.63	36	1.62	.80	54	2.05	1.07			
		14.0	.36	.78	22	.99	.63	32	1.08	.82	40	1.32	.93	58	1.80	1.19			
		-	-	-	26	.72	.76	38	.72	1.03	48	.85	1.23	66	1.32	1.52			
		-	-	-	30	.45	.93	42	.54	1.19	52	.66	1.38	70	1.11	1.66			
SUJ12A	Fluid Cap J2050 + Air Cap J73160	10.0	.66	.66	18	1.44	.87	24	1.98	1.00	30	2.40	1.14	40	3.30	1.36	12 - 15	17 - 22	12 - 17
		12.0	.54	.77	20	1.32	.98	28	1.68	1.17	34	2.16	1.29	46	2.94	1.54			
		14.0	.42	.90	22	1.20	1.06	32	1.44	1.35	38	1.92	1.47	52	2.58	1.83			
		-	-	-	26	.90	1.26	36	1.20	1.57	44	1.50	1.78	62	2.10	2.26			
		-	-	-	-	-	-	40	1.02	1.76	48	1.32	1.98	70	1.68	2.67			
SUJ12	Fluid Cap J2850 + Air Cap J73160	12.0	1.26	.73	22	2.16	1.05	30	2.90	1.24	36	4.32	1.26	48	5.82	1.50	12 - 15	19 - 23-1/2	13 - 17-1/2
		16.0	1.08	.94	26	1.74	1.26	34	2.46	1.42	40	3.85	1.36	52	5.28	1.65			
		20	.90	1.15	30	1.44	1.47	38	2.10	1.65	44	3.55	1.56	56	4.92	1.73			
		24	.78	1.36	38	1.08	1.87	46	1.50	2.03	52	2.46	2.01	64	4.08	2.08			
		28	.76	1.56	42	.94	2.04	52	1.20	2.36	60	1.86	2.36	70	3.60	2.34			
SUJ22B	Fluid Cap J40100 + Air Cap J1401110	16.0	3.44	2.68	28	5.03	3.71	40	6.10	4.72	48	7.75	5.30	65	10.70	6.74	18 - 21	26 - 38	16 - 30
		20	2.35	3.20	32	3.70	4.17	44	5.03	5.17	55	5.95	6.07	75	8.67	7.73			
		22	1.90	3.46	36	2.64	4.65	48	3.95	5.65	65	3.55	7.28	80	7.65	8.25			
		26	1.23	3.97	44	1.30	5.63	60	1.56	7.12	80	1.40	9.10	90	5.64	9.40			
		30	.72	4.48	50	.76	6.36	70	.73	8.35	90	.72	10.34	100	3.62	10.60			

*At the stated pressure in psi.

Drip Free™ spray set-ups ensure positive shut-off and are provided for air atomizing assemblies containing a shut-off needle. For more information, call 1.800.95.SPRAY.



**PERFORMANCE DATA:
PRESSURE SPRAY SET-UPS | INTERNAL MIX | ROUND SPRAY**

Spray Set-up No.	Spray Set-up Consists of Fluid and Air Cap Combination	Liquid Capacity (gallons per hour)* and Air Capacity (standard cubic feet per minute)*															Spray Dimensions		
		Liquid Pressure																	
		10 psi			20 psi			30 psi			40 psi			60 psi			Spray Angle A (°)	B (in.)	C (ft.)
		Air Press.	gph	scfm	Air Press.	gph	scfm	Air Press.	gph	scfm	Air Press.	gph	scfm	Air Press.	gph	scfm			
SUJ22	Fluid Cap J60100 + Air Cap J1401110	12.0	8.1	2.00	20	13.6	2.55	30	16.3	3.25	38	19.5	3.74	54	25.7	4.66	17 - 21	24 - 36	16 - 28
		14.0	6.6	2.32	22	12.0	2.85	34	13.1	3.75	42	16.5	4.20	60	21.8	5.34			
		16.0	4.9	2.66	24	10.2	3.15	38	9.9	4.32	46	13.6	4.71	65	18.5	5.98			
		–	–	–	28	7.2	3.75	42	7.6	4.90	52	9.6	5.58	75	12.2	7.80			
		–	–	–	32	4.6	4.35	46	5.6	5.50	56	7.6	6.14	85	8.0	8.90			

*At the stated pressure in psi.



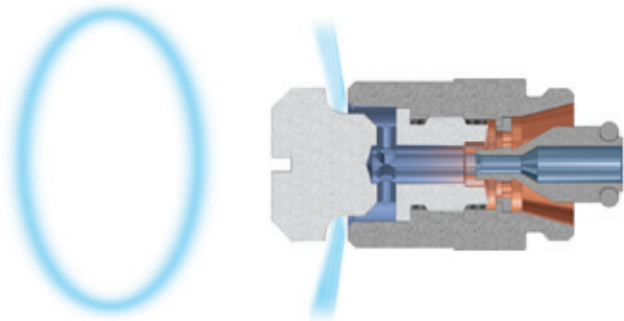
**PERFORMANCE DATA:
PRESSURE SPRAY SET-UPS | INTERNAL MIX | 360° CIRCULAR SPRAY**

Liquid is supplied to this spray set-up under pressure.

Liquid and compressed air or gas are mixed internally to produce a completely atomized spray.

When ordering only a spray set-up, 7717-2/007 O-ring must be ordered separately. This component is included in a complete air atomizing nozzle assembly.

Please contact your sales engineer for more information.



360° circular spray pattern

Spray Set-up No.	Spray Set-up Consists of Fluid and Air Cap Combination	Liquid Capacity (gallons per hour)* and Air Capacity (standard cubic feet per minute)*														
		Liquid Pressure														
		10 psi			20 psi			30 psi			40 psi			60 psi		
		Air Press.	gph	scfm	Air Press.	gph	scfm	Air Press.	gph	scfm	Air Press.	gph	scfm	Air Press.	gph	scfm
SUJ340C	Fluid Cap J60100 + Air Cap J150-6-62-160HC	20	4.0	2.45	34	6.6	4.09	50	7.1	6.38	60	11.0	7.6	85	14.4	11.8
		22	2.8	2.7	38	4.4	4.8	52	6.2	6.75	65	8.3	8.63	90	12.0	13.0
		24	2.0	2.97	42	2.8	5.5	56	4.4	7.55	70	6.1	9.78	95	9.8	14.1
		26	1.5	3.3	46	1.7	6.34	60	3.2	8.41	80	3.1	12.44	100	7.8	15.4
		28	1.1	3.62	48	1.3	6.85	70	1.3	11.75	90	1.4	15.4	–	–	–

Drip Free™ spray set-ups ensure positive shut-off and are provided for air atomizing assemblies containing a shut-off needle. For more information, call 1.800.95.SPRAY.





**PERFORMANCE DATA:
PRESSURE SPRAY SET-UPS | INTERNAL MIX | WIDE ANGLE ROUND SPRAY**

For a wide angle round spray, dimensions “A” and “B” are the pattern widths at distances from the nozzle.

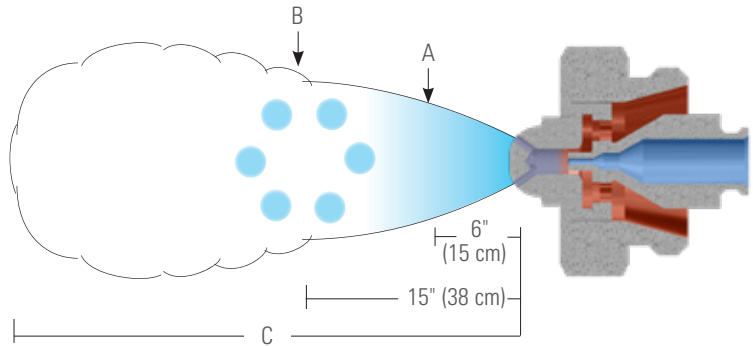
The total distance of spray projection from the nozzle to the maximum dispersal point is represented by “C”.

Liquid is supplied to this spray set-up under pressure.

Liquid and compressed air or gas are mixed internally to produce a completely atomized spray.

When ordering only a spray set-up, 12582 retainer ring and 7717-2/007 O-ring must be ordered separately. These components are included in a complete air atomizing nozzle assembly.

Please contact your sales engineer for more information.



Spray Set-up No.	Spray Set-up Consists of Fluid and Air Cap Combination	Liquid Capacity (gallons per hour)* and Air Capacity (standard cubic feet per minute)*															Spray Dimensions		
		Liquid Pressure															A (in.)	B (in.)	C (ft.)
		10 psi			20 psi			30 psi			40 psi			60 psi					
		Air Press.	gph	scfm	Air Press.	gph	scfm	Air Press.	gph	scfm	Air Press.	gph	scfm	Air Press.	gph	scfm			
SUJ16	Fluid Cap J2050 + Air Cap J67-6-20-70°	8.0	1.41	.36	14.0	2.10	.42	22	2.36	.56	30	2.53	.68	44	2.95	.81	5-1/2 - 7-1/2	9 - 12	5 - 13
		10.0	1.14	.43	16.0	1.90	.50	26	2.02	.69	34	2.23	.81	48	2.72	.94			
		14.0	.45	.60	22	1.17	.71	36	.91	1.07	46	1.10	1.26	65	1.50	1.60			
		—	—	—	26	.55	.90	40	.43	1.25	50	.69	1.45	75	.65	2.05			
SUJ26B	Fluid Cap J40100 + Air Cap J140-6-37-70°	12.0	1.85	1.78	22	3.30	2.30	30	5.10	2.54	38	6.40	2.84	54	8.76	3.44	7 - 8-1/2	12-1/2 - 14-1/2	6 - 19-1/2
		14.0	.55	2.20	24	2.20	2.67	32	4.25	2.85	42	4.70	3.42	56	8.10	3.74			
		—	—	—	26	1.20	3.05	36	2.50	3.50	46	3.06	4.05	60	6.76	4.32			
		—	—	—	—	—	—	40	.70	4.30	50	1.40	4.84	70	3.50	6.00			
SUJ26	Fluid Cap J60100 + Air Cap J140-6-37-70°	10.0	6.3	1.14	20	9.0	1.60	30	11.2	2.04	40	12.4	2.54	56	16.2	2.75	7-1/2 - 8	14 - 15-1/2	7 - 22-1/2
		12.0	3.6	1.54	22	6.9	2.00	32	9.3	2.44	42	10.6	2.92	58	14.8	3.11			
		14.0	2.0	2.00	24	5.1	2.40	36	5.4	3.20	46	7.1	3.72	65	9.8	4.42			
		—	—	—	26	3.3	2.80	40	2.3	3.98	50	3.6	4.51	75	4.0	6.31			
		—	—	—	—	—	—	—	—	—	52	2.2	4.91	80	2.4	6.51			
SUJ29	Fluid Cap J60100 + Air Cap J140-6-52-70°	18.0	9.4	3.0	30	13.4	4.15	44	15.3	5.45	60	15.6	7.05	80	21.4	8.55	8 - 9-1/2	13 - 16	18 - 34
		26	6.0	4.13	38	10.3	5.1	55	11.3	6.75	80	9.3	9.45	90	17.9	9.75			
		34	3.0	5.25	60	2.4	7.95	80	3.3	9.85	100	3.7	11.9	—	—	—			
SUJ30	Fluid Cap J40100 + Air Cap J120-6-35-60°	16.0	3.24	1.43	28	4.60	1.96	42	5.27	2.67	55	5.69	3.30	80	7.10	4.50	6 - 7-1/2	9 - 11	9 - 31
		20	2.08	1.75	36	2.45	2.55	48	3.45	3.11	65	3.15	4.06	90	4.65	5.27			
		28	.82	2.35	46	1.0	3.28	65	1.03	4.36	85	1.05	5.58	—	—	—			

*At the stated pressure in psi.

Drip Free™ spray set-ups ensure positive shut-off and are provided for air atomizing assemblies containing a shut-off needle. For more information, call 1.800.95.SPRAY.





**PERFORMANCE DATA:
PRESSURE SPRAY SET-UPS | INTERNAL MIX | FLAT SPRAY**

For a flat spray pattern, "A" and "B" are the pattern widths at distances from the nozzle.

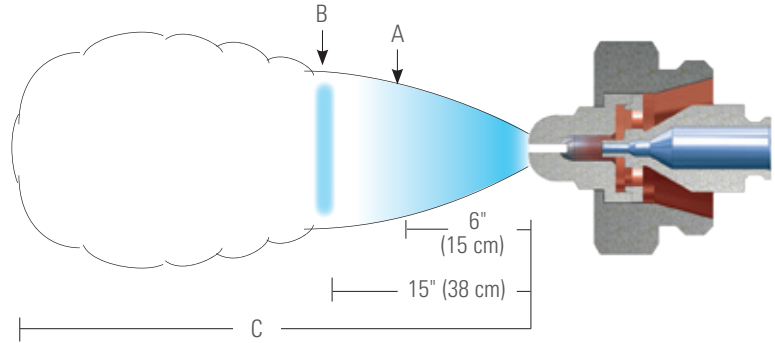
The total distance of spray projection from the nozzle to the maximum dispersal point is represented by "C".

Liquid is supplied to this spray set-up under pressure.

Liquid and compressed air or gas are mixed internally to produce a completely atomized spray.

When ordering only a spray set-up, 12582 retainer ring and 7717-2/007 O-ring must be ordered separately. These components are included in a complete air atomizing nozzle assembly.

Please contact your sales engineer for more information.



Spray Set-up No.	Spray Set-up Consists of Fluid and Air Cap Combination	Liquid Capacity (gallons per hour)* and Air Capacity (standard cubic feet per minute)*															Spray Dimensions		
		Liquid Pressure															A (in.)	B (in.)	C (ft.)
		10 psi			20 psi			30 psi			40 psi			60 psi					
		Air Press.	gph	scfm	Air Press.	gph	scfm	Air Press.	gph	scfm	Air Press.	gph	scfm	Air Press.	gph	scfm			
SUJ13A	Fluid Cap J2050 + Air Cap J73328	10.0	1.44	.84	18.0	2.17	1.12	28	2.49	1.47	38	2.77	1.84	55	3.41	2.43	10 - 22	18 - 37	8-1/2 - 13
		14.0	1.09	1.08	26	1.50	1.50	36	1.89	1.82	46	2.20	2.19	75	2.26	3.26			
		22	.53	1.55	40	.57	2.16	55	.65	2.68	70	.65	3.25	100	.88	4.29			
SUJ13	Fluid Cap J2850 + Air Cap J73328	12.0	2.17	.70	20	3.35	.96	30	3.98	1.27	38	4.66	1.49	65	4.8	2.38	14 - 23	28 - 38	7 - 10-1/2
		16.0	1.45	.95	28	2.06	1.34	38	2.85	1.64	46	3.6	1.85	75	3.63	2.86			
		-	-	-	36	.94	1.78	50	1.2	2.28	70	.76	3.09	95	1.57	3.85			
SUJ14	Fluid Cap J2850 + Air Cap J73320	18.0	1.04	1.05	30	1.56	1.43	42	2.06	1.75	55	2.16	2.15	75	3.20	2.66	10 - 25	18 - 38	6 - 7-1/2
		22	.62	1.25	36	.90	1.70	46	1.57	1.94	65	1.15	2.62	85	2.19	3.13			
		26	.35	1.45	40	.60	1.88	50	1.13	2.13	-	-	-	-	-	-			
		-	-	-	44	.35	2.07	-	-	-	-	-	-	-	-	-			
SUJ23B	Fluid Cap J40100 + Air Cap J125328	16.0	2.95	1.92	28	4.45	2.66	38	5.94	3.22	46	7.50	3.66	65	9.70	4.80	6 - 13	8 - 19	10 - 13
		18.0	2.25	2.10	30	3.87	2.84	40	5.40	3.40	50	6.45	3.97	70	8.60	5.20			
		20	1.72	2.30	32	3.30	3.04	42	4.86	3.55	52	5.90	4.15	75	7.50	5.60			
		24	1.00	2.70	36	2.28	3.40	46	3.78	3.93	56	4.87	4.50	85	5.30	6.48			
		-	-	-	-	-	-	-	-	-	60	3.84	4.90	-	-	-			
SUJ23	Fluid Cap J60100 + Air Cap J125328	12.0	7.0	1.15	22	11.5	1.65	34	12.4	2.20	46	13.7	2.75	65	18.3	3.56	7 - 13	12 - 20	11 - 14-1/2
		14.0	5.4	1.35	26	8.3	2.02	38	9.8	2.57	50	10.9	3.14	75	12.6	4.47			
		16.0	4.2	1.57	30	6.0	2.40	42	7.8	2.95	54	8.7	3.51	80	10.6	4.95			
		20	2.7	1.97	34	4.3	2.78	48	5.0	3.52	60	6.4	4.06	90	6.9	5.85			
		-	-	-	38	3.0	3.16	52	3.7	3.90	70	3.3	5.00	100	4.5	6.76			

*At the stated pressure in psi.

Drip Free™ spray set-ups ensure positive shut-off and are provided for air atomizing assemblies containing a shut-off needle. For more information, call 1.800.95.SPRAY.





**PERFORMANCE DATA:
PRESSURE SPRAY SET-UPS | EXTERNAL MIX | FLAT SPRAY**

SUJE external mix spray set-ups offer increased ability to atomize viscous fluids and allow for greater flow capacity of finely atomized sprays.

Atomization can be controlled by varying the air pressure without changing liquid flow rate.

Liquid is supplied to this spray set-up under pressure.

Liquid and compressed air or gas are mixed externally to produce a completely atomized spray.

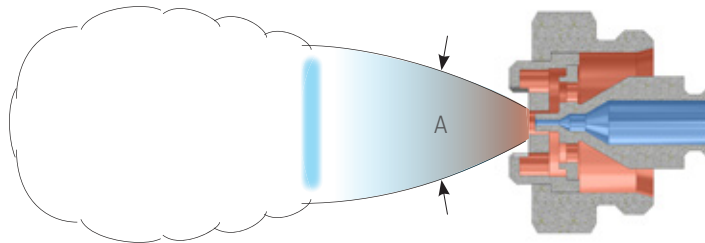
SUJE Series set-ups produce lower spray velocity for improved transfer and reduced misting.

Low profile design is ideal for applications where space is limited.

Very efficient use of air results in reduced air consumption costs and noise levels.

When ordering only a spray set-up, retainer ring and O-ring must be ordered separately. These components are included in a complete air atomizing nozzle assembly. The 46599 adapter is used with all 1/8JJ nozzle bodies and 1/8JJAU nozzle bodies with extensions only.

Please contact your sales engineer for more information.



Spray Set-up No.	Spray Set-up Consists of Fluid and Air Cap Combination	Liquid Capacity (gallons per hour)* and Air Capacity (standard cubic feet per minute)*												Spray Angle A (°)
		Liquid Pressure												
		10 psi			20 psi			30 psi			40 psi			
		Air Press.	gph	scfm	Air Press.	gph	scfm	Air Press.	gph	scfm	Air Press.	gph	scfm	
SUJE416-50	Fluid Cap PFJ1650 + Air Cap PAJ105-50	10.0	1.3	2.3	10.0	1.8	2.3	10.0	2.2	2.3	10.0	2.6	2.3	50
		30	1.3	5.0	30	1.8	5.0	30	2.2	5.0	30	2.6	5.0	
		40	1.3	6.2	40	1.8	6.2	40	2.2	6.2	40	2.6	6.2	
		50	1.3	7.4	50	1.8	7.4	50	2.2	7.4	50	2.6	7.4	
SUJE417-50	Fluid Cap PFJ2050 + Air Cap PAJ105-50	10.0	1.9	2.3	10.0	2.6	2.3	10.0	3.2	2.3	10.0	–	–	
		30	1.9	5.0	30	2.6	5.0	30	3.2	5.0	30	4.0	5.0	
		50	1.9	7.4	50	2.6	7.4	50	3.2	7.4	50	4.0	7.4	
SUJE418-50	Fluid Cap PFJ2850 + Air Cap PAJ105-50	10.0	2.9	2.3	10.0	5.8	2.3	10.0	7.9	2.3	10.0	8.3	2.3	
		30	2.9	5.0	30	5.8	5.0	30	7.9	5.0	30	8.3	5.0	
		50	2.9	7.4	50	5.8	7.4	50	7.9	7.4	50	8.3	7.4	
SUJE420-50	Fluid Cap PFJ40100 + Air Cap PAJ135-50	10.0	8.0	2.3	10.0	11.7	2.3	10.0	14.4	2.3	10.0	16.7	2.3	
		30	8.0	5.0	30	11.7	5.0	30	14.4	5.0	30	16.7	5.0	
		50	8.0	7.3	50	11.7	7.3	50	14.4	7.3	50	16.7	7.3	

*At the stated pressure in psi.

Drip Free™ spray set-ups ensure positive shut-off and are provided for air atomizing assemblies containing a shut-off needle. For more information, call 1.800.95.SPRAY.



**PERFORMANCE DATA:
PRESSURE SPRAY SET-UPS | EXTERNAL MIX | FLAT SPRAY**

Spray Set-up No.	Spray Set-up Consists of Fluid and Air Cap Combination	Liquid Capacity (gallons per hour)* and Air Capacity (standard cubic feet per minute)*												Spray Angle A (°)
		Liquid Pressure												
		10 psi			20 psi			30 psi			40 psi			
		Air Press.	gph	scfm	Air Press.	gph	scfm	Air Press.	gph	scfm	Air Press.	gph	scfm	
SUJE416-65	Fluid Cap PFJ1650 + Air Cap PAJ080-65	10.0	1.3	1.9	10.0	1.8	1.9	10.0	2.2	1.9	10.0	2.6	1.9	65
		30	1.3	4.0	30	1.8	4.0	30	2.2	4.0	30	2.6	4.0	
		50	1.3	5.9	50	1.8	5.9	50	2.2	5.9	50	2.6	5.9	
SUJE417-65	Fluid Cap PFJ2050 + Air Cap PAJ080-65	10.0	1.9	1.9	10.0	2.6	1.9	10.0	3.2	1.9	10.0	4.0	1.9	
		30	1.9	4.0	30	2.6	4.0	30	3.2	4.0	30	4.0	4.0	
		50	1.9	5.9	50	2.6	5.9	50	3.2	5.9	50	4.0	5.9	
SUJE418-65	Fluid Cap PFJ2850 + Air Cap PAJ080-65	10.0	2.9	1.9	10.0	5.8	1.9	10.0	–	–	10.0	–	–	
		30	2.9	4.0	30	5.8	4.0	30	7.9	4.0	30	8.3	4.0	
		50	2.9	5.9	50	5.8	5.9	50	7.9	5.9	50	8.3	5.9	
SUJE420-65	Fluid Cap PFJ40100 + Air Cap PAJ125-65	10.0	8.0	2.1	10.0	11.7	2.1	10.0	14.4	2.1	10.0	16.7	2.1	
		30	8.0	4.4	30	11.7	4.4	30	14.4	4.4	30	16.7	4.4	
		50	8.0	6.5	50	11.7	6.5	50	14.4	6.5	50	16.7	6.5	
SUJE421-65	Fluid Cap PFJ60100 + Air Cap PAJ125-65	30	16.0	4.4	30	–	–	30	–	–	30	–	–	
		40	16.0	5.4	40	23.2	5.4	40	–	–	40	–	–	
		50	16.0	6.5	50	23.2	6.5	50	28.7	6.5	50	–	–	
SUJE416-90	Fluid Cap PFJ1650 + Air Cap PAJ075-90	10.0	1.3	1.9	10.0	1.8	1.9	10.0	2.2	1.9	10.0	2.6	1.9	90
		30	1.3	4.0	30	1.8	4.0	30	2.2	4.0	30	2.6	4.0	
		50	1.3	5.9	50	1.8	5.9	50	2.2	5.9	50	2.6	5.9	
SUJE417-90	Fluid Cap PFJ2050 + Air Cap PAJ075-90	10.0	1.9	1.9	10.0	2.6	1.9	10.0	3.2	1.9	10.0	4.0	1.9	
		30	1.9	4.0	30	2.6	4.0	30	3.2	4.0	30	4.0	4.0	
		50	1.9	5.9	50	2.6	5.9	50	3.2	5.9	50	4.0	5.9	
SUJE418-90	Fluid Cap PFJ2850 + Air Cap PAJ075-90	10.0	2.9	1.9	10.0	–	–	10.0	–	–	10.0	–	–	
		30	2.9	4.0	30	5.8	4.0	30	7.9	4.0	30	8.3	4.0	
		50	2.9	5.9	50	5.8	5.9	50	7.9	5.9	50	8.3	5.9	
SUJE420-90	Fluid Cap PFJ40100 + Air Cap PAJ115-90	20	8.0	2.9	20	–	–	20	–	–	20	–	–	
		30	8.0	3.9	30	11.7	3.9	30	–	–	30	–	–	
		40	8.0	4.8	40	11.7	4.8	40	14.4	4.8	40	–	–	
		50	8.0	5.7	50	11.7	5.7	50	14.4	5.7	50	16.7	5.7	
SUJE421-90	Fluid Cap PFJ60100 + Air Cap PAJ115-90	30	16.0	3.9	30	–	–	30	–	–	30	–	–	
		40	16.0	4.8	40	23.2	4.8	40	–	–	40	–	–	
		50	16.0	5.7	50	23.2	5.7	50	28.7	5.7	50	–	–	
		60	–	–	60	–	–	60	–	–	60	33.2	6.6	
		70	–	–	70	–	–	70	–	–	70	33.2	7.5	

*At the stated pressure in psi.

Drip Free™ spray set-ups ensure positive shut-off and are provided for air atomizing assemblies containing a shut-off needle. For more information, call 1.800.95.SPRAY.





PERFORMANCE DATA:

SIPHON/GRAVITY SPRAY SET-UPS | INTERNAL MIX | FLAT SPRAY

For a flat spray pattern, “A” and “B” are the pattern widths at distances from the nozzle.

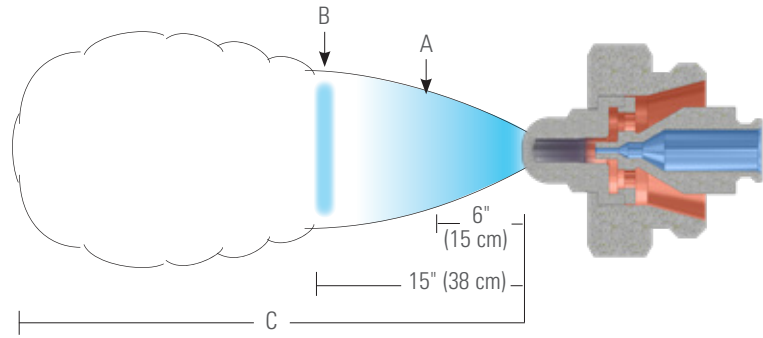
The total distance of spray projection from the nozzle to the maximum dispersal point is represented by “C”.

Liquid is supplied to this spray set-up by either a liquid siphon or a gravity-feed.

Liquid is drawn through the feed line into the air flow where it is atomized.

When ordering only a spray set-up, 12582 retainer ring and 7717-2/007 O-ring must be ordered separately. These components are included in a complete air atomizing nozzle assembly.

Please contact your sales engineer for more information.



Spray Set-up No.	Spray Set-up Consists of Fluid and Air Cap Combination	Atomizing Air		Liquid Capacity (gallons per hour)*								Spray Dimensions at 8" Siphon Height		
		Air Press.	Air Capacity scfm	Gravity Head (in.)			Siphon Height (in.)					A (in.)	B (ft.)	C (ft.)
				18	12	6	4	8	12	24	36			
SUJF1	Fluid Cap J2850 + Air Cap J73420	10.0	.99	.35	.33	.30	.27	.25	.22	.17	.13	8 - 9	15	6 - 7
		20	1.42	.31	.30	.29	.26	.25	.23	.19	.16			
		30	1.83	.18	.16	.15	.11	.09	—	—	—			
SUJF2C	Fluid Cap J35100 + Air Cap J120432	20	1.86	1.01	.95	.90	.77	.72	.67	.62	.56	9 - 11	15 - 19	9 - 10
		30	2.42	.88	.84	.81	.75	.71	.67	.63	.57			
		40	2.96	.76	.73	.69	.65	.61	.58	.53	.48			
		60	4.05	.44	.41	.37	.33	.30	.27	—	—			
SUJF3B	Fluid Cap J40100 + Air Cap J122435	20	2.26	1.35	1.28	1.20	1.01	.96	.92	.78	.62	7-1/2 - 8-1/2	10 - 1/2 - 12	10 - 11
		30	2.88	1.26	1.21	1.14	.92	.87	.82	.74	.59			
		40	3.52	.98	.92	.87	.66	.59	.52	.44	—			
		50	4.13	.58	.52	.44	—	—	—	—	—			
SUJF4B	Fluid Cap J40100 + Air Cap J122440	20	2.10	2.01	1.90	1.71	1.47	1.40	1.32	1.17	.92	6-1/2 - 8	10-1/2 - 13	11
		30	2.70	2.00	1.94	1.81	1.58	1.52	1.45	1.34	1.11			
		40	3.28	1.82	1.74	1.63	1.42	1.34	1.22	1.03	—			
		50	3.87	1.10	.97	.85	.69	—	—	—	—			

*At the stated pressure in psi.

Drip Free™ spray set-ups ensure positive shut-off and are provided for air atomizing assemblies containing a shut-off needle. For more information, call 1.800.95.SPRAY.





**PERFORMANCE DATA:
SIPHON/GRAVITY SPRAY SET-UPS | EXTERNAL MIX | ROUND SPRAY**

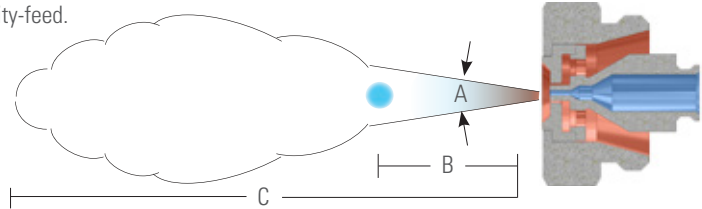
For a round spray pattern, angle “A” is maintained throughout distance “B”. Beyond “B”, the spray becomes turbulent and projects out to distance “C”.

Liquid is supplied to this spray set-up by either a liquid siphon or a gravity-feed.

Liquid is drawn through the feed line into the air flow where it is atomized.

When ordering only a spray set-up, 12582 retainer ring and 7717-2/007 O-ring must be ordered separately. These components are included in a complete air atomizing nozzle assembly.

Please contact your sales engineer for more information.



Spray Set-up No.	Spray Set-up Consists of Fluid and Air Cap Combination	Atomizing Air		Liquid Capacity (gallons per hour)*								Spray Dimensions at 8" Siphon Height		
		Air Press.	Air Capacity scfm	Gravity Head (in.)			Siphon Height (in.)					Spray Angle A (°)	B (in.)	C (ft.)
				18	12	6	4	8	12	24	36			
SUJ1A	Fluid Cap J1650 + Air Cap J64	10.0	.40	.39	.35	.30	.23	.18	.14	—	—	18	11 - 14	6 - 8-1/2
		20	.59	.46	.43	.39	.34	.31	.28	.14	—			
		40	.95	.54	.50	.47	.41	.38	.36	.28	.19			
		60	1.32	.59	.54	.49	.44	.41	.39	.31	.24			
SUJ1	Fluid Cap J2050 + Air Cap J64	10.0	.47	.63	.55	.46	.40	.32	.21	—	—	18 - 19	12 - 17	7 - 10
		20	.66	.73	.66	.60	.54	.48	.40	.21	.07			
		40	1.06	.87	.81	.76	.71	.67	.61	.43	.28			
		60	1.48	.98	.92	.88	.83	.79	.73	.57	.40			
SUJ2A	Fluid Cap J2050 + Air Cap J70	10.0	.81	.67	.61	.53	.43	.37	.29	—	—	18 - 20	12 - 17	8 - 13
		20	1.20	.76	.72	.64	.56	.50	.44	.21	—			
		40	1.94	.89	.86	.82	.76	.71	.65	.46	.30			
		60	2.70	.98	.96	.94	.91	.87	.81	.68	.56			
SUJ2	Fluid Cap J2850 + Air Cap J70	10.0	.68	1.19	1.05	.91	.56	.47	.38	—	—	21 - 22	15 - 20	10 - 15
		20	1.03	1.37	1.27	1.13	.88	.77	.68	.46	—			
		40	1.70	1.48	1.41	1.30	1.08	1.02	.90	.63	.28			
		60	2.39	1.57	1.47	1.32	1.15	1.05	.91	.74	.52			
SUJ3	Fluid Cap J2850 + Air Cap J64-5	10.0	.41	—	—	—	.59	.49	.29	—	—	18 - 19	12 - 17	8 - 13
		20	.61	—	1.22	1.05	.89	.78	.63	.26	—			
		40	.99	1.68	1.56	1.45	1.34	1.22	1.10	.70	.30			
		60	1.36	1.91	1.81	1.72	1.64	1.54	1.44	1.02	.56			
SUJ4B	Fluid Cap J40100 + Air Cap J120	10.0	1.30	—	—	—	1.40	.97	.59	—	—	17 - 19	18 - 23	10 - 15
		20	1.97	—	2.57	2.37	1.90	1.50	1.20	.34	—			
		40	3.12	3.20	2.96	2.80	2.30	2.02	1.70	.76	.26			
		60	4.28	3.47	3.24	3.05	2.57	2.32	2.05	1.16	.52			
SUJ4	Fluid Cap J60100 + Air Cap J120	20	1.90	5.80	5.15	4.20	3.10	2.65	1.90	.60	—	17 - 19	18 - 23	12 - 18
		40	3.00	6.50	5.95	5.10	4.30	3.70	3.00	1.55	.70			
		60	4.10	6.80	6.35	5.60	4.90	4.20	3.45	2.20	1.30			
		80	5.20	6.80	6.40	5.80	5.20	4.50	3.85	2.60	1.60			

*At the stated pressure in psi.

Drip Free™ spray set-ups ensure positive shut-off and are provided for air atomizing assemblies containing a shut-off needle. For more information, call 1.800.95.SPRAY.





PERFORMANCE DATA:
PRESSURE SPRAY SET-UPS | INTERNAL MIX | FLAT SPRAY

For a flat spray pattern, "A" and "B" are the pattern widths at distances from the nozzle.

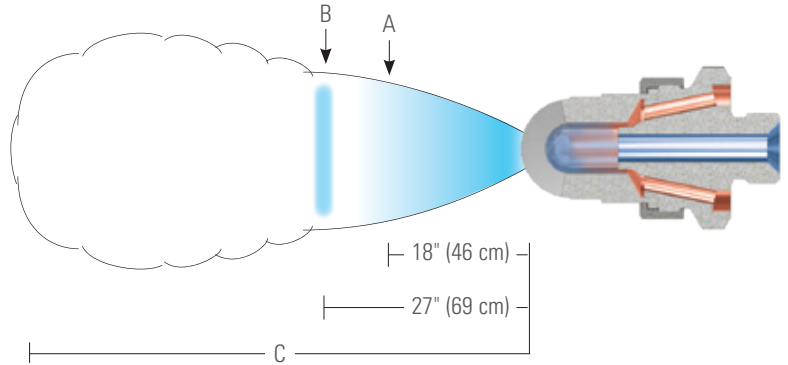
The total distance of spray projection from the nozzle to the maximum dispersal point is represented by "C".

Liquid is supplied to this spray set-up under pressure.

Liquid and compressed air or gas are mixed internally to produce a completely atomized spray.

When ordering only a spray set-up, 1705 retainer ring and 8491 gasket must be ordered separately. These components are included in a complete air atomizing nozzle assembly.

Please contact your sales engineer for more information.



Spray Set-up No.	Spray Set-up Consists of Fluid and Air Cap Combination	Liquid Capacity (gallons per hour)* and Air Capacity (standard cubic feet per minute)*															Spray Dimensions		
		Liquid Pressure															A (in.)	B (in.)	C (ft.)
		5 psi			15 psi			25 psi			35 psi			55 psi					
		Air Press.	gph	scfm	Air Press.	gph	scfm	Air Press.	gph	scfm	Air Press.	gph	scfm	Air Press.	gph	scfm			
SU75	Fluid Cap 250375 + Air Cap 4533102	-	-	-	28	39	22.4	44	44.1	31.5	58	53	40	-	-	-	17 - 18	35 - 36	18 - 19
		-	-	-	30	31.8	24	46	37.2	33.5	60	45.6	42	-	-	-			
		-	-	-	32	24.6	25.9	48	31.2	35.1	63	38	44	-	-	-			
		-	-	-	34	19.8	27.5	50	27	36.9	65	31	47	-	-	-			
SU85	Fluid Cap 251376 + Air Cap 4693102	10.0	35.4	11.1	18.0	103	15.4	26	155	17.7	36	180	23	54	222	29.1	20 - 36	47 - 89	13 - 21
		12.0	26.4	13.4	20	81.6	17.6	28	135	20	38	162	25.4	56	198	31.2			
		-	-	-	22	63.6	19.8	30	115	22.5	40	147	27.8	58	186	34			
		-	-	-	24	49.3	22.6	32	100	25.1	42	131	30.2	60	180	36.3			
		-	-	-	-	-	-	34	84	27.5	44	116	32.6	62	166	38.9			
		-	-	-	-	-	-	36	69.5	30	46	101	35.1	64	154	41.6			
		-	-	-	-	-	-	38	56.4	32.6	48	81.5	37.6	66	142	44.1			
		-	-	-	-	-	-	40	45.7	35.3	50	75.6	40.2	68	130	46.6			
		-	-	-	-	-	-	-	-	-	52	62.4	42.7	70	119	49.3			
		-	-	-	-	-	-	-	-	-	-	-	-	72	108	51.6			
		-	-	-	-	-	-	-	-	-	-	-	-	74	97.4	54.2			
		-	-	-	-	-	-	-	-	-	-	-	-	76	87.5	57.1			

*At the stated pressure in psi.





**PERFORMANCE DATA:
PRESSURE SPRAY SET-UPS | INTERNAL MIX | WIDE ANGLE ROUND**

For a wide angle round spray, dimensions "A" and "B" are the pattern widths at distances from the nozzle.

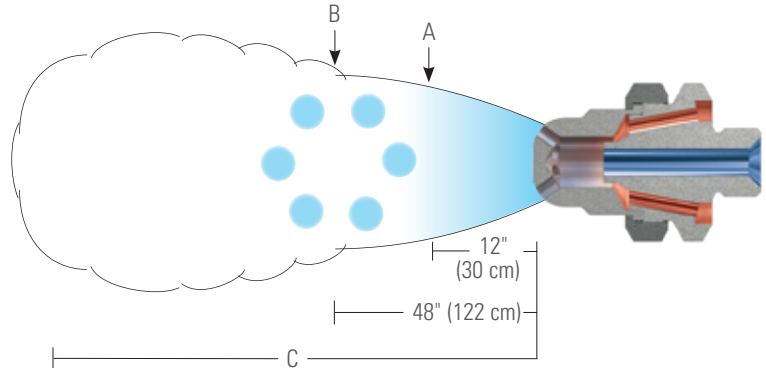
The total distance of spray projection from the nozzle to the maximum dispersal point is represented by "C".

Liquid is supplied to this spray set-up under pressure.

Liquid and compressed air or gas are mixed internally to produce a completely atomized spray.

When ordering only a spray set-up, 1705 retainer ring and 8491 gasket must be ordered separately. These components are included in a complete air atomizing nozzle assembly.

Please contact your sales engineer for more information.



Spray Set-up No.	Spray Set-up Consists of Fluid and Air Cap Combination	Liquid Capacity (gallons per hour)* and Air Capacity (standard cubic feet per minute)*															Spray Dimensions		
		Liquid Pressure															A (in.)	B (in.)	C (ft.)
		5 psi			15 psi			25 psi			35 psi			55 psi					
		Air Press.	gph	scfm	Air Press.	gph	scfm	Air Press.	gph	scfm	Air Press.	gph	scfm	Air Press.	gph	scfm			
SU77	Fluid Cap 250375 + Air Cap 422-6-73-70°	-	-	-	-	-	-	28	33	8.4	40	28.8	11.3	58	66	12.2	13-1/2 - 14	26-1/2 - 27	22 - 28
		-	-	-	-	-	-	30	19.8	10.8	42	15.6	13.9	60	42	15.0			
		-	-	-	-	-	-	-	-	-	-	-	-	62	25.2	18.2			
SU78	Fluid Cap 250375 + Air Cap 422-6-94-70°	8.0	27	6.5	18.0	42	7.0	32	47	11.0	46	42.6	18.1	70	81	29.5	13 - 14	25-1/2 - 27	20 - 27
		10.0	15.0	8.2	20	29.4	8.8	34	36	12.8	48	32.4	20.2	75	33	34.5			
		12.0	8.4	9.8	22	20.2	10.5	36	25.2	14.7	50	25.8	22.2	80	22.2	39.6			
		-	-	-	24	14.4	12.2	38	18.6	16.6	52	19.8	24	-	-	-			
		-	-	-	-	-	-	40	13.8	18.6	54	15.6	25.8	-	-	-			
SU79	Fluid Cap 250375 + Air Cap 469-6-125-70°	10.0	34.2	11.4	26	46.2	20.2	40	62.6	27.5	54	75.6	32.6	75	127	39	13 - 14	26 - 28	23 - 30
		12.0	21.6	13.0	28	37.2	22	42	52.8	29.6	56	57	34.3	80	108	42.4			
		14.0	12.0	14.7	30	28.4	23.7	44	43.8	31.6	58	46.8	35.8	85	98	45.6			
		-	-	-	32	21.6	25.3	46	33.6	33.6	60	39	37.3	-	-	-			
		-	-	-	34	16.2	27	48	25.2	35.6	62	33	38.8	-	-	-			
SU89	Fluid Cap 251376 + Air Cap 469-6-130-70°	10.0	35.4	11.1	18.0	103	15.4	26	155	17.7	36	180	23	54	222	29.1	11 - 13	29 - 36	11 - 25
		12.0	26.4	13.4	20	81.6	17.6	28	135	20	38	162	25.4	56	198	31.2			
		-	-	-	22	63.6	19.8	30	115	22.5	40	147	27.8	58	186	34			
		-	-	-	24	49.3	22.6	32	100	25.1	42	131	30.2	60	180	36.3			
		-	-	-	-	-	-	34	84	27.5	44	116	32.6	62	166	38.9			
		-	-	-	-	-	-	36	69.5	30	46	101	35.1	64	154	41.6			
		-	-	-	-	-	-	38	56.4	32.6	48	81.5	37.6	66	142	44.1			
		-	-	-	-	-	-	40	45.7	35.3	50	75.6	40.2	68	130	46.6			
		-	-	-	-	-	-	-	-	-	52	62.4	42.7	70	119	49.3			
		-	-	-	-	-	-	-	-	-	-	-	-	72	108	51.6			
		-	-	-	-	-	-	-	-	-	-	-	-	74	97.4	54.2			
		-	-	-	-	-	-	-	-	-	-	-	-	76	87.5	57.1			

*At the stated pressure in psi.





PERFORMANCE DATA:
PRESSURE SPRAY SET-UPS | INTERNAL MIX | ROUND SPRAY

For a round spray, dimensions "A" and "B" are the pattern widths at distances from the nozzle.

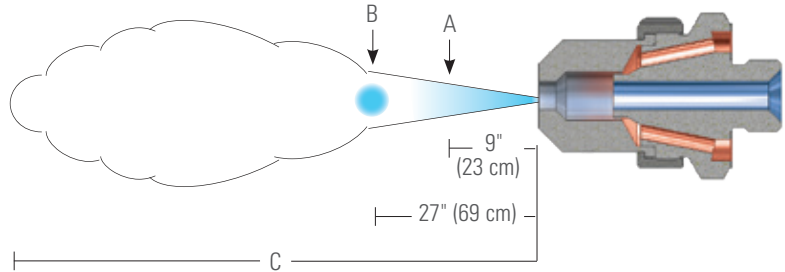
The total distance of spray projection from the nozzle to the maximum dispersal point is represented by "C".

Liquid is supplied to this spray set-up under pressure.

Liquid and compressed air or gas are mixed internally to produce a completely atomized spray.

When ordering only a spray set-up, 1705 retainer ring and 8491 gasket must be ordered separately. These components are included in a complete air atomizing nozzle assembly.

Please contact your sales engineer for more information.



Spray Set-up No.	Spray Set-up Consists of Fluid and Air Cap Combination	Liquid Capacity (gallons per hour)* and Air Capacity (standard cubic feet per minute)*															Spray Dimensions		
		Liquid Pressure															A (in.)	B (in.)	C (ft.)
		5 psi			15 psi			25 psi			35 psi			55 psi					
		Air Press.	gph	scfm	Air Press.	gph	scfm	Air Press.	gph	scfm	Air Press.	gph	scfm	Air Press.	gph	scfm			
SU72	Fluid Cap 250375 + Air Cap 4221250	18.0	9.0	12.4	28	31.7	14.9	38	58	17.3	48	80	19.3	-	-	-	3-1/2	10	22 - 30
		20	6.7	13.7	32	22.5	17.0	44	37.7	20.8	54	55.2	23.6	-	-	-			
		22	5.4	14.7	36	15.9	19.3	50	24.7	24.8	60	40	27.5	-	-	-			
		24	4.1	15.7	38	13.2	20.4	54	19.5	27.5	66	30	32.1	-	-	-			
		-	-	-	40	11.1	21.5	58	16.0	30.2	72	23.3	37	-	-	-			
		-	-	-	42	9.2	22.6	60	14.5	31.8	78	18.3	42.2	-	-	-			
SU82	Fluid Cap 251376 + Air Cap 4691312	10.0	35.4	11.1	18.0	103	15.4	26	155	17.7	36	180	23	54	222	29.1	4 - 6	9 - 13	21 - 47
		12.0	26.4	13.4	20	81.6	17.6	28	135	20	38	162	25.4	56	198	31.2			
		-	-	-	22	63.6	19.8	30	115	22.5	40	147	27.8	58	186	34			
		-	-	-	24	49.3	22.6	32	100	25.1	42	131	30.2	60	180	36.3			
		-	-	-	-	-	-	34	84	27.5	44	116	32.6	62	166	38.9			
		-	-	-	-	-	-	36	69.5	30	46	101	35.1	64	154	41.6			
		-	-	-	-	-	-	38	56.4	32.6	48	81.5	37.6	66	142	44.1			
		-	-	-	-	-	-	40	45.7	35.3	50	75.6	40.2	68	130	46.6			
		-	-	-	-	-	-	-	-	-	52	62.4	42.7	70	119	49.3			
		-	-	-	-	-	-	-	-	-	-	-	-	72	108	51.6			
		-	-	-	-	-	-	-	-	-	-	-	-	74	97.4	54.2			
		-	-	-	-	-	-	-	-	-	-	-	-	76	87.5	57.1			

*At the stated pressure in psi.





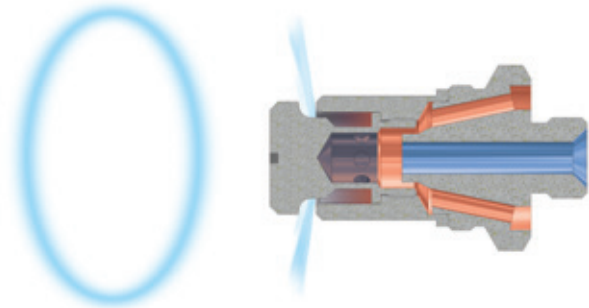
**PERFORMANCE DATA:
PRESSURE SPRAY SET-UPS | INTERNAL MIX | 360° CIRCULAR SPRAY**

Liquid is supplied to this spray set-up under pressure.

Liquid and compressed air or gas are mixed internally to produce a completely atomized spray.

When ordering only a spray set-up, 3199 retainer ring and 3612 gasket must be ordered separately. These components are included in a complete air atomizing nozzle assembly.

Please contact your sales engineer for more information.

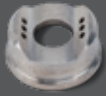


360° circular spray pattern

Spray Set-up No.	Spray Set-up Consists of Fluid and Air Cap Combination	Liquid Capacity (gallons per hour)* and Air Capacity (standard cubic feet per minute)*														
		Liquid Pressure														
		10 psi			20 psi			30 psi			40 psi			60 psi		
		Air Press.	gph	scfm	Air Press.	gph	scfm	Air Press.	gph	scfm	Air Press.	gph	scfm	Air Press.	gph	scfm
SU380C	Fluid Cap 251376 + Air Cap 469-6-130-160HC	14.0	56.4	12.2	24	104	16.0	36	116	22.4	48	122	27.8	72	128	40.2
		16.0	38.4	14.8	26	85.8	18.6	38	98.4	24.8	50	110	29.8	74	116	42.3
		18.0	25.8	16.8	28	72.6	20.3	40	85.2	26.5	52	98.4	31.5	76	108	44.3
		20	15.6	19.0	30	54.6	22.7	42	73.2	28.9	54	85.8	33.8	78	96.6	46.3
		–	–	–	32	42	24.8	44	72	30.9	56	74.4	36	80	85.8	48.3
		–	–	–	34	30.6	26.8	46	49.8	32.9	58	66	38.3	82	78.6	50.5
		–	–	–	36	24.6	29.3	48	38.4	35	60	55.2	40.1	84	67.8	52.5
		–	–	–	38	7.2	31.8	50	30	37.8	62	44.4	42	86	61.2	54.8
		–	–	–	–	–	–	–	–	–	64	37.2	44.5	90	48	59
		–	–	–	–	–	–	–	–	–	66	20.4	45.8	–	–	–

*At the stated pressure in psi.





PERFORMANCE DATA:
PRESSURE SPRAY SET-UPS | EXTERNAL MIX | FLAT SPRAY

For a flat spray pattern, "A" and "B" are the pattern widths at distances from the nozzle.

The total distance of spray projection from the nozzle to the maximum dispersal point is represented by "C".

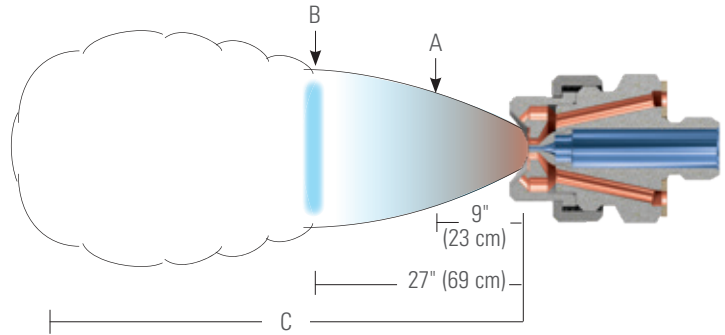
Liquid is supplied to this spray set-up under pressure.

The liquid and compressed air or gas are mixed externally to produce a completely atomized spray.

For external mix spray set-ups, atomization can be controlled by varying the air pressure without changing liquid flow rate.

When ordering only a spray set-up, 1705 retainer ring and 8491 gasket must be ordered separately. These components are included in a complete air atomizing nozzle assembly.

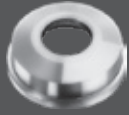
Please contact your sales engineer for more information.



Spray Set-up No.	Spray Set-up Consists of Fluid and Air Cap Combination	Liquid Capacity (gallons per hour)* and Air Capacity (standard cubic feet per minute)*															Spray Dimensions		
		Liquid Pressure															A (in.)	B (in.)	C (ft.)
		3 psi			5 psi			7 psi			10 psi			15 psi					
		Air Press.	gph	scfm	Air Press.	gph	scfm	Air Press.	gph	scfm	Air Press.	gph	scfm	Air Press.	gph	scfm			
SUE75	Fluid Cap 250375 + Air Cap 14356	30	138	31	40	180	38	45	210	41.5	55	252	48	80	306	65	8-1/2 - 10	20-1/2 - 26	19 - 29
		35	138	34	45	180	41.5	50	210	45	60	252	51.5	85	306	69			
		40	138	38	50	180	45	55	210	48	70	252	58	90	306	72			
		45	138	41.5	55	180	48	60	210	51.5	75	252	62	95	306	75			
		-	-	-	60	180	51.5	65	210	55	80	252	65	100	306	78			
		-	-	-	-	-	-	70	210	58	85	252	69	-	-	-			

*At the stated pressure in psi.





**PERFORMANCE DATA:
SIPHON/GRAVITY SPRAY SET-UPS | EXTERNAL MIX | ROUND SPRAY**

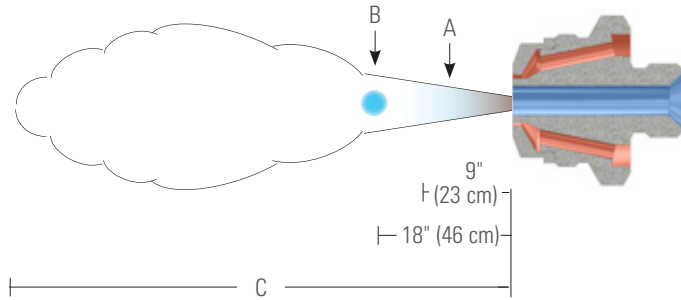
For a round spray pattern, "A" and "B" are the pattern widths at distances from the nozzle.

The total distance of spray projection from the nozzle to the maximum dispersal point is represented by "C".

Liquid is supplied to this spray set-up by either a liquid siphon or a gravity-feed. The liquid drawn through the feed line into the air flow where it is atomized.

When ordering only a spray set-up, 5713 retainer ring must be ordered separately. This component is included in a complete air atomizing nozzle assembly.

Please contact your sales engineer for more information.



Spray Set-up No.	Spray Set-up Consists of Fluid and Air Cap Combination	Atomizing Air		Liquid Capacity (gallons per hour)*							Spray Dimensions at 8" Siphon Height		
		Air Press.	Air Capacity scfm	Gravity Head (in.)			Siphon Height (in.)				A (in.)	B (ft.)	C (ft.)
				18	12	6	4	8	12	24			
SU70	Fluid Cap 250375 + Air Cap 437	10.0	12.7	-	-	-	10.7	-	-	-	9	8	20 - 35
		20	18.5	-	-	-	22.8	13.9	-	-			
		30	24	-	-	-	32.4	24.8	13.8	-			
		40	29.2	-	67.6	58.8	38.8	31.2	22.7	-			
		50	34.8	79.8	70.5	62.8	43	35.2	27.6	-			
		60	40.1	81.9	72.1	63.5	45.4	38.3	30.5	9.5			
		70	46.1	83.2	74.5	66.0	48	41.4	33.9	13.8			
		80	51.0	84.6	76.2	67.6	49.8	43.2	36	16.5			

*At the stated pressure in psi.





PERFORMANCE DATA:
PRESSURE SPRAY SET-UPS | INTERNAL MIX | WIDE ANGLE ROUND SPRAY

For a wide angle round spray, dimensions "A" and "B" are the pattern widths at distances from the nozzle.

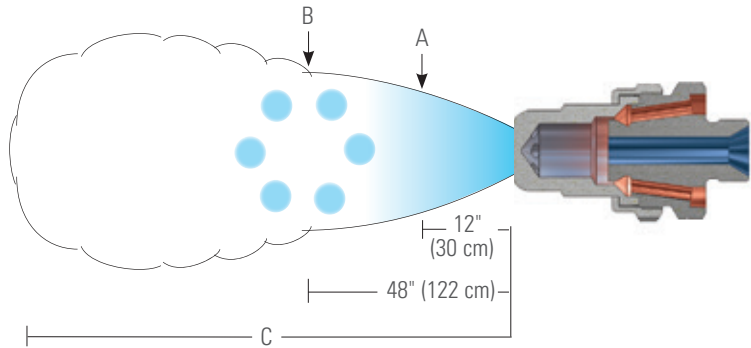
The total distance of spray projection from the nozzle to the maximum dispersal point is represented by "C".

Liquid is supplied to this spray set-up under pressure.

Liquid and compressed air or gas are mixed internally to produce a completely atomized spray.

When ordering only a spray set-up, 5713 retainer ring must be ordered separately. This component is included in a complete air atomizing nozzle assembly.

Please contact your sales engineer for more information.



Spray Set-up No.	Spray Set-up Consists of Fluid and Air Cap Combination	Liquid Capacity (gallons per minute)* and Air Capacity (standard cubic feet per minute)*															Spray Dimensions		
		Liquid Pressure															A (in.)	B (in.)	C (ft.)
		10 psi			20 psi			30 psi			40 psi			60 psi					
		Air Press.	gpm	scfm	Air Press.	gpm	scfm	Air Press.	gpm	scfm	Air Press.	gpm	scfm	Air Press.	gpm	scfm			
SU159	Fluid Cap 4371000 + Air Cap 1109-6-224-70°	12.0	3.2	43	22	5.1	52	32	6.5	64	42	7.7	79	60	10.6	99	16 - 22	41 - 67	14 - 61
		14.0	2.4	51	24	4.1	62	34	5.5	75	44	6.7	90	62	9.5	108			
		16.0	1.7	61	26	3.3	72	36	4.5	86	46	5.7	100	64	8.4	118			
		-	-	-	28	2.6	85	38	3.6	96	48	4.9	110	66	7.5	130			
		-	-	-	30	2.0	94	40	3.1	106	50	4.2	120	68	6.8	142			
		-	-	-	32	1.6	104	42	2.6	116	52	3.6	132	70	6.1	152			
		-	-	-	-	-	-	44	2.2	128	54	3.1	140	72	5.5	166			
		-	-	-	-	-	-	46	1.8	136	56	2.7	150	74	5.0	178			
		-	-	-	-	-	-	-	-	-	58	2.3	164	76	4.5	190			

*At the stated pressure in psi.





**PERFORMANCE DATA:
PRESSURE SPRAY SET-UPS | INTERNAL MIX | ROUND SPRAY**

For a round spray, dimensions "A" and "B" are the pattern widths at distances from the nozzle.

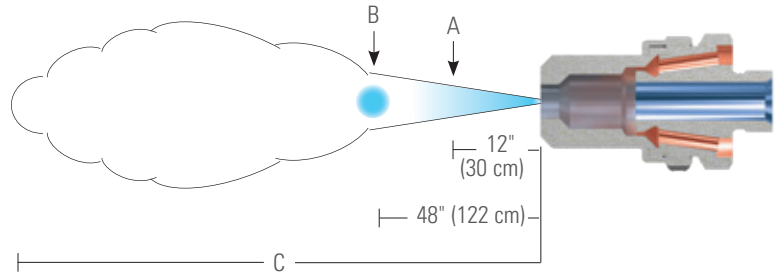
The total distance of spray projection from the nozzle to the maximum dispersal point is represented by "C".

Liquid is supplied to this spray set-up under pressure.

Liquid and compressed air or gas are mixed internally to produce a completely atomized spray.

When ordering only a spray set-up, 5713 retainer ring must be ordered separately. This component is included in a complete air atomizing nozzle assembly.

Please contact your sales engineer for more information.



Spray Set-up No.	Spray Set-up Consists of Fluid and Air Cap Combination	Liquid Capacity (gallons per minute)* and Air Capacity (standard cubic feet per minute)*															Spray Dimensions		
		Liquid Pressure															A (in.)	B (in.)	C (ft.)
		10 psi			20 psi			30 psi			40 psi			60 psi					
		Air Press.	gpm	scfm	Air Press.	gpm	scfm	Air Press.	gpm	scfm	Air Press.	gpm	scfm	Air Press.	gpm	scfm			
SU152	Fluid Cap 4371000 + Air Cap 11091547	12.0	3.2	43	22	5.1	52	32	6.5	64	42	7.7	79	60	10.6	99	4 - 5	12 - 15	30 - 83
		14.0	2.4	51	24	4.1	62	34	5.5	75	44	6.7	90	62	9.5	108			
		16.0	1.7	61	26	3.3	72	36	4.5	86	46	5.7	100	64	8.4	118			
		-	-	-	28	2.6	85	38	3.6	96	48	4.9	110	66	7.5	130			
		-	-	-	30	2.0	94	40	3.1	106	50	4.2	120	68	6.8	142			
		-	-	-	32	1.6	104	42	2.6	116	52	3.6	132	70	6.1	152			
		-	-	-	-	-	-	44	2.2	128	54	3.1	140	72	5.5	166			
		-	-	-	-	-	-	46	1.8	136	56	2.7	150	74	5.0	178			
SU172	Fluid Cap 6251000 + Air Cap 11251625	12.0	5.92	48.5	20	11.0	42.5	30	13.2	55	40	15.1	66	60	18.3	79	6	13 - 15	25 - 50
		14.0	4.40	82	22	9.1	60	32	11.7	69	42	13.8	78	65	15.8	107			
		16.0	3.45	128	24	7.8	80	34	10.4	85	44	12.6	93	70	13.5	138			
		18.0	2.75	187	26	6.72	110	36	9.4	102	46	11.6	109	-	-	-			
		-	-	-	28	5.95	143	38	8.45	125	48	10.7	125	-	-	-			
		-	-	-	30	5.25	183	40	7.75	150	50	9.7	145	-	-	-			

*At the stated pressure in psi.



PERFORMANCE DATA:
PRESSURE SPRAY SET-UPS | INTERNAL MIX | FLAT SPRAY

For a flat spray pattern, "A" and "B" are the pattern widths at distances from the nozzle.

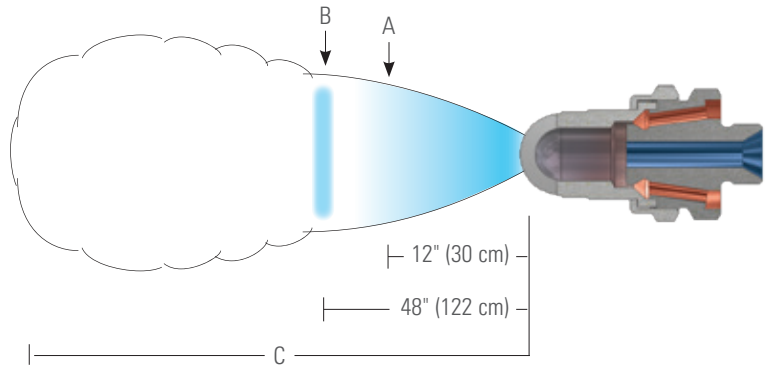
The total distance of spray projection from the nozzle to the maximum dispersal point is represented by "C".

Liquid is supplied to this spray set-up under pressure.

Liquid and compressed air or gas are mixed internally to produce a completely atomized spray.

When ordering only a spray set-up, 5713 retainer ring must be ordered separately. This component is included in a complete air atomizing nozzle assembly.

Please contact your sales engineer for more information.



Spray Set-up No.	Spray Set-up Consists of Fluid and Air Cap Combination	Liquid Capacity (gallons per minute)* and Air Capacity (standard cubic feet per minute)*														Spray Dimensions			
		Liquid Pressure														A (in.)	B (in.)	C (ft.)	
		10 psi			20 psi			30 psi			40 psi			60 psi					
		Air Press.	gpm	scfm	Air Press.	gpm	scfm	Air Press.	gpm	scfm	Air Press.	gpm	scfm	Air Press.	gpm				scfm
SU155	Fluid Cap 4371000 + Air Cap 11093187	12.0	3.2	43	22	5.1	52	32	6.5	64	42	7.7	79	60	10.6	99	23 - 49	70 - 126	21 - 39
		14.0	2.4	51	24	4.1	62	34	5.5	75	44	6.7	90	62	9.5	108			
		16.0	1.7	61	26	3.3	72	36	4.5	86	46	5.7	100	64	8.4	118			
		-	-	-	28	2.6	85	38	3.6	96	48	4.9	110	66	7.5	130			
		-	-	-	30	2.0	94	40	3.1	106	50	4.2	120	68	6.8	142			
		-	-	-	32	1.6	104	42	2.6	116	52	3.6	132	70	6.1	152			
		-	-	-	-	-	-	44	2.2	128	54	3.1	140	72	5.5	166			
		-	-	-	-	-	-	46	1.8	136	56	2.7	150	74	5.0	178			
		-	-	-	-	-	-	-	-	-	58	2.3	164	76	4.5	190			

*At the stated pressure in psi.





**PERFORMANCE DATA:
PRESSURE SPRAY SET-UPS | EXTERNAL MIX | FLAT SPRAY**

For a flat spray pattern, "A" and "B" are the pattern widths at distances from the nozzle.

The total distance of spray projection from the nozzle to the maximum dispersal point is represented by "C".

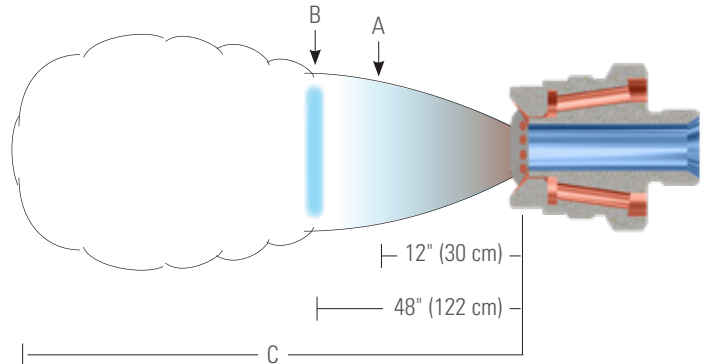
Liquid is supplied to this spray set-up under pressure.

The liquid and compressed air or gas are mixed externally to produce a completely atomized spray.

For external mix spray set-ups, atomization can be controlled by varying the air pressure without changing liquid flow rate.

When ordering only a spray set-up, 12415 retainer ring must be ordered separately. This component is included in a complete air atomizing nozzle assembly.

Please contact your sales engineer for more information.



Spray Set-up No.	Spray Set-up Consists of Fluid and Air Cap Combination	Liquid Capacity (gallons per minute)* and Air Capacity (standard cubic feet per minute)*															Spray Dimensions		
		Liquid Pressure															A (in.)	B (in.)	C (ft.)
		3			5			7			10			15					
		Air Press.	gpm	scfm	Air Press.	gpm	scfm	Air Press.	gpm	scfm	Air Press.	gpm	scfm	Air Press.	gpm	scfm			
SUE175B	Fluid Cap 625780 + Air Cap 12116	20	13.0	87	25	17.0	101	30	20	115	40	23	140	50	29	166	20 - 23	47 - 51	25 - 35
		25	13.0	101	30	17.0	115	40	20	140	50	23	166	60	29	191			
		30	13.0	115	40	17.0	140	50	20	166	60	23	191	70	29	216			
		40	13.0	140	50	17.0	166	60	20	191	70	23	216	80	29	242			
		50	13.0	166	60	17.0	191	70	20	216	80	23	242	90	29	268			
		60	13.0	191	70	17.0	216	80	20	242	90	23	268	-	-	-			

*At the stated pressure in psi.





PERFORMANCE DATA:
SIPHON/GRAVITY SPRAY SET-UPS | EXTERNAL MIX | ROUND SPRAY

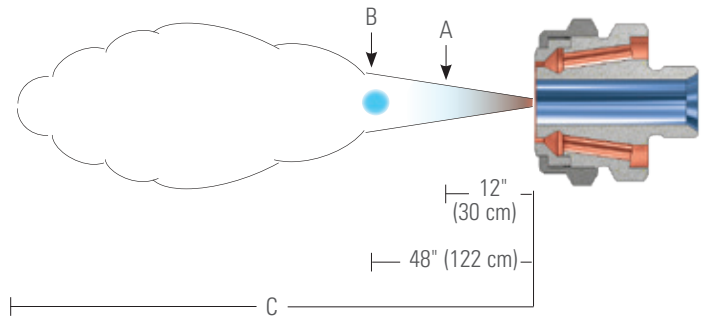
For a round spray pattern, "A" and "B" are the pattern widths at distances from the nozzle.

The total distance of spray projection from the nozzle to the maximum dispersal point is represented by "C".

Liquid is supplied to this spray set-up by either a liquid siphon or a gravity-feed. The liquid drawn through the feed line into the air flow where it is atomized.

When ordering only a spray set-up, 5713 retainer ring must be ordered separately. This component is included in a complete air atomizing nozzle assembly.

Please contact your sales engineer for more information.



Spray Set-up No.	Spray Set-up Consists of Fluid and Air Cap Combination	Atomizing Air		Liquid Capacity (gallons per minute)*							Spray Dimensions at 8" Siphon Height		
		Air Press.	Air Capacity scfm	Gravity Head (in.)			Siphon Height (in.)				A (in.)	B (in.)	C (ft.)
				18	12	6	4	8	12	18			
SU170	Fluid Cap 6251000 + Air Cap 1125	20	105	—	—	3.4	1.9	—	—	—	5	15	29 - 64
		25	120	5.2	4.5	3.6	2.2	—	—	—			
		30	135	5.3	4.6	3.8	2.4	1.4	—	—			
		40	165	5.4	4.7	3.9	2.6	1.8	1.1	—			
		60	225	5.5	4.9	4.2	2.9	2.2	1.5	.40			
		80	285	5.6	5.0	4.4	3.0	2.3	1.6	.50			
		100	345	5.7	5.1	4.5	3.1	2.4	1.7	.60			

*At the stated pressure in psi.





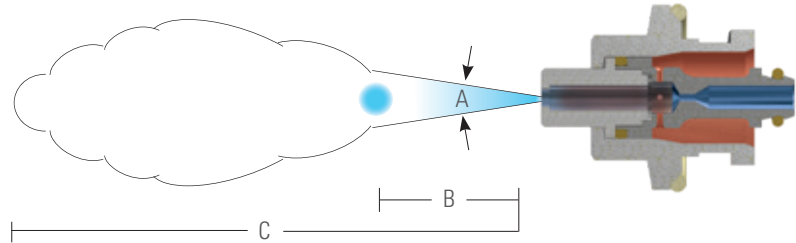
**PERFORMANCE DATA:
PRESSURE SPRAY SET-UPS | INTERNAL | ROUND SPRAY**

For this QuickMist round spray set-up, angle "A" is maintained throughout distance "B". Beyond "B", the spray becomes turbulent and projects out to distance "C".

Liquid is supplied to this spray set-up under pressure.

Liquid and compressed air or gas are mixed internally to produce a completely atomized spray.

Please contact your sales engineer for more information.



Spray Set-up No.	Spray Set-up Consists of Fluid and Air Cap Combination	Liquid Capacity (gallons per hour)* and Air Capacity (standard cubic feet per minute)*																		Spray Dimensions		
		Liquid Pressure																		Spray Angle A (°)	B (in.)	C (ft.)
		20 psi			30 psi			40 psi			50 psi			60 psi			70 psi					
		Air Press.	gph	scfm	Air Press.	gph	scfm	Air Press.	gph	scfm	Air Press.	gph	scfm	Air Press.	gph	scfm	Air Press.	gph	scfm			
SUQR220B	Fluid Cap PFO40 + Air Cap PAQR95	20	6.8	1.5	20	10.9	1.3	-	-	-	-	-	-	-	-	-	-	-	-	12 - 15	10 - 22	14 - 25
		30	3.9	2.2	30	8.0	2.0	30	11.5	1.8	30	14.4	1.5	-	-	-	-	-	-			
		-	-	-	40	5.4	2.7	40	9.0	2.4	40	11.9	2.2	40	14.9	2.0	-	-	-			
		-	-	-	50	3.0	3.3	50	6.6	3.1	50	9.6	2.8	50	12.6	2.6	50	15.4	2.5			
		-	-	-	-	-	-	60	4.3	3.7	60	7.3	3.5	60	10.4	3.2	60	13.3	3.0			
		-	-	-	-	-	-	-	-	-	70	5.1	4.2	70	8.3	3.9	70	11.2	3.7			

*At the stated pressure in psi.





PERFORMANCE DATA:
PRESSURE SPRAY SET-UPS | INTERNAL | WIDE ANGLE ROUND SPRAY

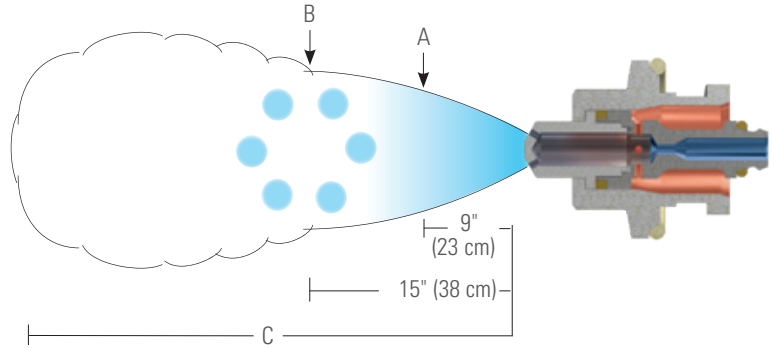
For these QuickMist wide angle round spray set-ups, "A" and "B" are the pattern widths at distances from the nozzle.

The total distance of spray projection from the nozzle to the maximum dispersal point is represented by "C".

Liquid is supplied to this spray set-up under pressure.

Liquid and compressed air or gas are mixed internally to produce a completely atomized spray.

Please contact your sales engineer for more information.



Spray Set-up No.	Spray Set-up Consists of Fluid and Air Cap Combination	Liquid Capacity (gallons per hour)* and Air Capacity (standard cubic feet per minute)*																		Spray Dimensions									
		Liquid Pressure																		A (in.)	B (in.)	C (ft.)							
		20 psi			30 psi			40 psi			50 psi			60 psi			70 psi												
Air Press.	gph	scfm	Air Press.	gph	scfm	Air Press.	gph	scfm	Air Press.	gph	scfm	Air Press.	gph	scfm	Air Press.	gph	scfm	Air Press.	gph	scfm									
SUQW260B	Fluid Cap PFO30 + Air Cap PAQW37-60	20	4.9	1.7	-	-	-	-	-	-	-	-	-	-	-	-	-	-	-	-	-	-	7 - 9	8 - 12	9 - 18				
		30	3.4	2.5	30	5.3	2.3	30	7.1	2.1	30	8.6	2.0	-	-	-	-	-	-	-	-	-				-	-	-	
		-	-	-	40	3.8	2.9	40	5.8	2.8	40	7.4	2.6	40	8.9	2.4	40	102	2.4	40	9.2	3.0				-	-	-	-
		-	-	-	50	2.1	3.6	50	4.4	3.4	50	6.3	3.3	50	7.8	3.1	50	9.2	3.0	50	8.2	3.7				-	-	-	-
		-	-	-	-	-	-	60	3.0	4.1	60	5.1	4.0	60	6.8	3.8	60	8.2	3.7	60	7.2	4.4				-	-	-	-
SUQW260	Fluid Cap PFO60 + Air Cap PAQW37-60	20	7.4	1.9	20	19.3	0.90	-	-	-	-	-	-	-	-	-	-	-	-	-	-	-	7 - 9	9 - 13	12 - 19				
		-	-	-	30	8.9	2.4	30	19.3	1.3	30	27	0.90	-	-	-	-	-	-	-	-	-				-	-	-	
		-	-	-	-	-	-	40	9.6	3.0	40	20	1.8	40	28	1.3	-	-	-	-	-	-				-	-	-	-
		-	-	-	-	-	-	-	-	-	50	10.4	3.6	50	20	2.3	50	28	1.6	50	21	2.8				-	-	-	-
		-	-	-	-	-	-	-	-	-	-	-	-	60	11.1	4.1	60	21	2.8	60	12.0	4.8				-	-	-	-
SUQW290	Fluid Cap PFO60 + Air Cap PAQW52-60	20	12.5	3.3	-	-	-	-	-	-	-	-	-	-	-	-	-	-	-	-	-	-	7 - 9	9 - 13	12 - 19				
		30	5.5	5.1	30	14.2	4.1	-	-	-	-	-	-	-	-	-	-	-	-	-	-	-				-	-	-	
		-	-	-	40	8.5	5.8	40	16.4	4.9	-	-	-	-	-	-	-	-	-	-	-	-				-	-	-	-
		-	-	-	50	3.3	7.4	50	10.7	6.5	50	19.0	5.4	50	26	5.2	50	31	4.9	50	26	6.0				-	-	-	-
		-	-	-	-	-	-	60	5.2	8.2	60	13.1	7.1	60	21	6.5	60	26	6.0	60	21	7.3				-	-	-	-

*At the stated pressure in psi.





**PERFORMANCE DATA:
PRESSURE SPRAY SET-UPS | INTERNAL | FLAT SPRAY**

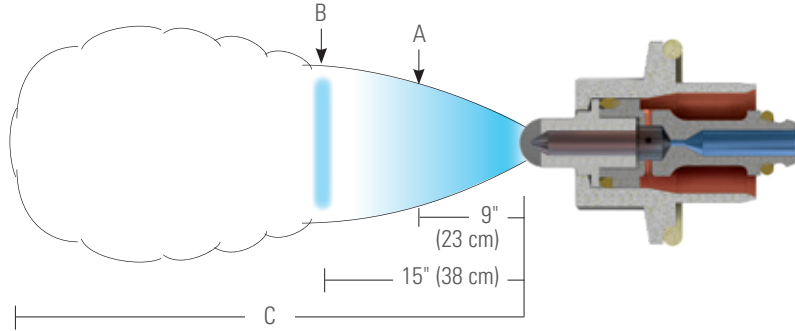
For these QuickMist flat spray set-ups, "A" and "B" are the pattern widths at distances from the nozzle.

The total distance of spray projection from the nozzle to the maximum dispersal point is represented by "C".

Liquid is supplied to this spray set-up under pressure.

Liquid and compressed air or gas are mixed internally to produce a completely atomized spray.

Please contact your sales engineer for more information.



Spray Set-up No.	Spray Set-up Consists of Fluid and Air Cap Combination	Liquid Capacity (gallons per hour)* and Air Capacity (standard cubic feet per minute)*																		Spray Dimensions			
		Liquid Pressure																		A (in.)	B (in.)	C (ft.)	
		20 psi			30 psi			40 psi			50 psi			60 psi			70 psi						
		Air Press.	gph	scfm	Air Press.	gph	scfm	Air Press.	gph	scfm	Air Press.	gph	scfm	Air Press.	gph	scfm	Air Press.	gph	scfm				
SUQF130	Fluid Cap PFQ20 + Air Cap PAQF28	20	1.5	1.3	20	2.9	1.13	20	3.9	1.1	-	-	-	-	-	-	-	-	-	5 - 10	7 - 14	10 - 21	
		-	-	-	30	1.7	1.7	30	3.0	1.5	30	4.0	1.4	30	4.7	1.4	-	-	-	-	-	-	-
		-	-	-	-	-	-	40	1.9	2.1	40	3.1	1.9	40	4.1	1.8	40	4.9	1.7	-	-	-	-
		-	-	-	-	-	-	-	-	-	50	2.0	2.4	50	3.2	2.3	50	4.1	2.2	-	-	-	-
		-	-	-	-	-	-	-	-	-	-	-	-	-	-	-	70	2.4	3.2	-	-	-	-
SUQFN130	Fluid Cap PFQ30 + Air Cap PAQF28	20	2.7	1.1	-	-	-	-	-	-	-	-	-	-	-	-	-	-	-	8 - 12	11 - 19	14 - 27	
		-	-	-	30	3.1	1.5	30	5.9	1.2	-	-	-	-	-	-	-	-	-	-	-	-	-
		-	-	-	-	-	-	40	3.4	1.8	40	6.0	1.5	-	-	-	-	-	-	-	-	-	-
		-	-	-	-	-	-	-	-	-	50	3.7	2.2	50	6.1	1.9	50	8.1	1.7	-	-	-	-
		-	-	-	-	-	-	-	-	-	-	-	-	60	4.0	2.5	60	6.2	2.2	70	4.2	2.8	-
SUQF230B	Fluid Cap PFQ30 + Air Cap PAQF35	20	3	1.2	-	-	-	-	-	-	-	-	-	-	-	-	-	-	-	7 - 11	9 - 16	12 - 22	
		-	-	-	30	3.5	1.6	30	6.1	1.3	-	-	-	-	-	-	-	-	-	-	-	-	-
		-	-	-	-	-	-	40	3.8	2.0	40	6.2	1.7	40	8.2	1.6	-	-	-	-	-	-	-
		-	-	-	-	-	-	-	-	-	50	4.2	2.3	50	6.4	2.1	50	8.2	1.9	-	-	-	-
		-	-	-	-	-	-	-	-	-	60	2.0	3.2	60	4.5	2.7	60	6.6	2.4	-	-	-	-
-	-	-	-	-	-	-	-	-	-	-	-	70	2.5	3.5	70	4.8	3.1	-	-	-	-		
SUQF230	Fluid Cap PFQ40 + Air Cap PAQF40	20	4.8	1.1	-	-	-	-	-	-	-	-	-	-	-	-	-	-	-	8 - 14	11 - 18	15 - 21	
		-	-	-	30	5.5	1.5	-	-	-	-	-	-	-	-	-	-	-	-	-	-	-	-
		-	-	-	-	-	-	40	6.1	1.8	-	-	-	-	-	-	-	-	-	-	-	-	-
		-	-	-	-	-	-	-	-	-	50	1.5	2.8	50	6.6	2.2	50	10.8	1.7	-	-	-	-
		-	-	-	-	-	-	-	-	-	-	-	-	60	2.5	3.1	60	7.2	2.5	60	11.0	2.1	-
-	-	-	-	-	-	-	-	-	-	-	-	-	-	-	70	7.8	2.8	-	-	-	-		

*At the stated pressure in psi.





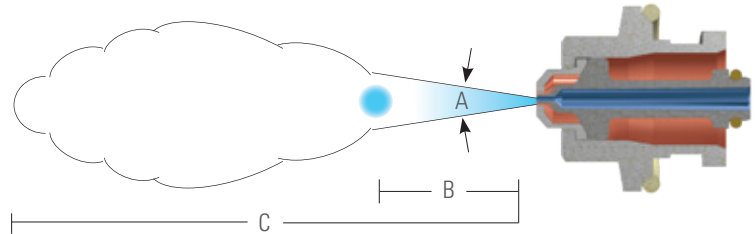
PERFORMANCE DATA:
SIPHON/GRAVITY SPRAY SET-UPS | INTERNAL MIX | ROUND SPRAY

For a round spray pattern, angle "A" is maintained throughout distance "B". Beyond "B", the spray becomes turbulent and projects out to distance "C".

Liquid is supplied to this spray set-up by either a liquid siphon or a gravity-feed.

Liquid is drawn through the feed line into the air flow where it is atomized.

Please contact your sales engineer for more information.



Spray Set-up No.	Spray Set-up Consists of Fluid and Air Cap Combination	Liquid Capacity (gallons per hour)* and Air Capacity (standard cubic feet per minute)*									Spray Dimensions at 8" Siphon Height		
		Atomizing Air		Liquid Capacity (gallons per hour)*							Spray Angle A (°)	B (in.)	C (ft.)
		Air Press.	Air Capacity scfm	Gravity Head (in.)			Siphon Height (in.)						
				18	12	6	4	8	12	24			
SUQR200	Fluid Cap PFO5028 + Air Cap PAQR070	10	.7	1.1	1.1	0.90	0.74	0.54	0.39	—	19 - 20	15 - 22	7 - 9.3
		20	1.0	1.2	1.1	0.90	0.81	0.66	0.59	—			
		40	1.6	1.4	1.3	1.2	1.2	1.1	1.0	0.55			
		60	2.2	1.2	1.2	1.3	1.0	1.1	0.84	0.65			
SUQR300	Fluid Cap PFO10060 + Air Cap PAQR120	10	1.1	5.2	4.6	3.8	2.4	1.1	—	—	19 - 20	16 - 21	12 - 16
		20	1.7	5.5	4.8	4.1	3.1	2.4	—	—			
		40	2.7	6.0	5.4	4.9	4.2	3.5	2.8	—			
		60	3.8	6.1	5.6	5.0	4.6	3.8	3.1	0.67			

*At the stated pressure in psi.





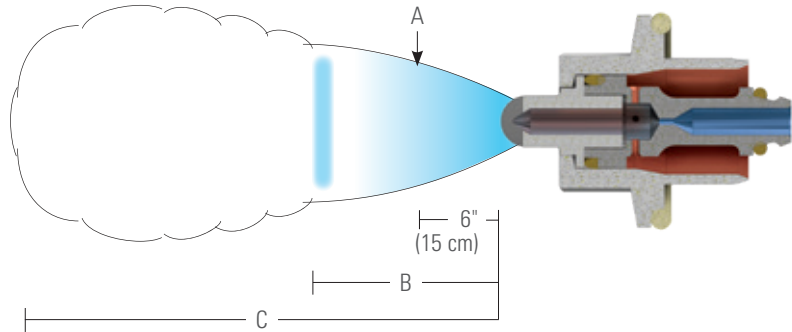
**PERFORMANCE DATA:
SIPHON/GRAVITY SPRAY SET-UPS | INTERNAL MIX | FLAT SPRAY**

For these QuickMist flat spray set-ups, "A" is the spray pattern width at 6" (15 cm). Beyond distance "B" the spray becomes turbulent and projects out to distance "C".

Liquid is supplied to this spray set-up by either a liquid siphon or a gravity-feed.

Liquid is drawn through the feed line into the air flow where it is atomized.

Please contact your sales engineer for more information.



Spray Set-up No.	Spray Set-up Consists of Fluid and Air Cap Combination	Liquid Capacity (gallons per hour)* and Air Capacity (standard cubic feet per minute)*								Spray Dimensions at 8" Siphon Height			
		Atomizing Air		Liquid Capacity (gallons per hour)*									
		Air Press.	Air Capacity scfm	Gravity Head (in.)			Siphon Height (in.)			A (in.)	B (in.)	C (ft.)	
				18	12	6	4	8	12				24
SUQF200C	Fluid Cap PFQ10035 + Air Cap PAQF450121	10.0	1.3	2.1	1.8	1.6	1.2	1.1	1.1	0.34	8	7-10	2-3
		20	1.9	2.0	1.8	1.6	1.4	1.3	1.2	0.55			
		40	3.1	1.8	1.6	1.5	1.5	1.4	1.3	0.75			
		60	4.3	1.5	1.4	1.2	1.4	1.3	1.2	0.77			
SUQF300B	Fluid Cap PFQ10040 + Air Cap PAQF450121	10.0	1.3	2.2	1.9	1.7	1.4	1.3	0.91	0.48	6	6-7	3-4
		20	1.9	2.1	1.9	1.8	1.4	1.3	1.1	0.63			
		40	3.1	1.9	1.8	1.7	1.5	1.4	1.3	0.83			
		60	4.3	1.6	1.6	1.5	1.4	1.3	1.2	1.0			
SUQF300	Fluid Cap PFQ10060 + Air Cap PAQF450121	10.0	1.3	2.8	2.4	2.0	1.7	1.5	1.3	0.63	4	4-5	4-4
		20	1.9	2.6	2.2	2.0	1.8	1.6	1.4	0.85			
		40	3.1	2.0	1.8	1.6	1.9	1.7	1.5	1.1			
		60	4.3	1.4	1.3	1.1	1.7	1.5	1.3	1.1			

*At the stated pressure in psi.



PERFORMANCE DATA:
PRESSURE SPRAY SET-UPS | EXTERNAL MIX | VARIABLE SPRAY

SUVM spray set-ups provide uniform spray distribution even when spraying viscous liquids.

Liquid is supplied to this spray set-up under pressure.

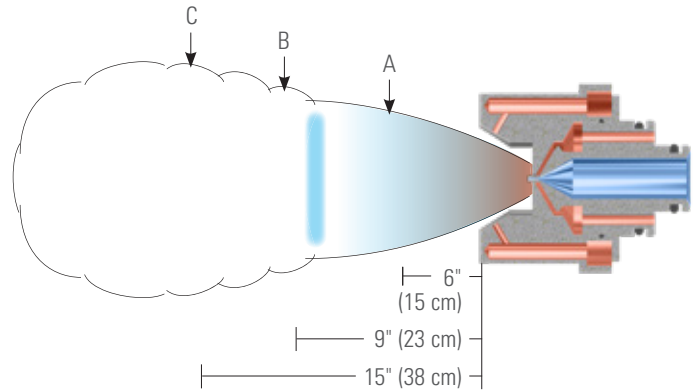
The liquid and compressed air or gas are mixed externally to produce a completely atomized spray.

For external mix spray set-ups, atomization can be controlled by varying the air pressure without changing liquid flow rate.

Independent control of fan air provides the ability to adjust the spray pattern without changing liquid flow rate.

Spray coverage dimensions are provided in the table below at various distances from the nozzle.

Please contact your sales engineer for more information.



Spray Set-up No.	Spray Set-up Consists of Fluid and Air Cap Combination	Air Capacity*			Liquid Capacity*		Spray Coverage (in.) at Indicated Distance from Nozzle Fan Air Pressure																						
		Press.	Capacity		Press.	Cap. gph	Atom. Air Press.	Water Press.	0			5			10			20			30			40					
			Atomizing Air scfm	Fan Air scfm					A	B	C	A	B	C	A	B	C	A	B	C	A	B	C	A	B	C			
SUVM67B	Fluid Cap VMF1650 + Air Cap VMA67255-60	10.0	.58	2.0	1.0	.44	10.0	3.0	2.0	3.0	4.0	5.0	6.0	7.0	7.0	9.0	10.0	7.0	9.0	11.0	3.5	4.0	6.0	-	-	-			
									10.0	2.5	3.5	4.5	6.0	8.0	7.0	7.0	9.0	11.0	8.0	10.0	12.0	3.5	4.0	5.5	-	-	-		
									20	-	-	-	6.0	9.0	8.0	8.0	12.0	13.0	10.0	12.0	14.0	3.5	5.5	7.0	-	-	-		
		20	.84	3.1	3.0	.74	20	3.0	2.0	3.0	4.5	4.0	5.0	6.0	6.0	7.0	8.0	7.0	9.0	10.0	8.0	10.0	12.0	4.5	5.0	6.0	7.0	8.0	10.0
								10.0	2.0	3.0	4.0	5.0	7.0	7.0	7.0	9.0	10.0	8.0	10.0	12.0	4.5	5.0	6.0	7.0	8.0	10.0			
								20	2.0	3.0	4.0	6.0	7.0	8.0	8.0	10.0	12.0	9.0	12.0	14.0	6.0	7.5	9.0	7.0	8.0	10.0			
		30	1.1	3.9	5.0	1.0	30	3.0	2.0	3.0	4.5	3.0	4.0	5.0	5.0	6.0	7.0	6.0	8.0	10.0	5.5	6.0	7.0	7.0	9.0	11.0			
								10.0	2.0	3.0	4.5	4.0	4.5	6.0	6.0	7.5	10.0	7.0	9.0	11.0	5.5	6.5	8.0	7.0	9.0	12.0			
								20	2.0	3.0	4.0	4.5	6.0	7.0	7.0	9.0	12.0	8.0	10.0	12.0	6.0	7.0	9.0	8.0	9.0	11.0			
		40	1.8	6.6	10.0	1.4	40	3.0	2.5	3.5	6.0	3.5	4.5	5.0	5.0	6.0	8.0	6.0	8.0	10.0	5.0	6.5	8.0	7.0	9.0	11.0			
								10.0	2.0	3.0	5.0	4.0	5.0	5.0	5.0	7.0	9.0	7.0	9.0	11.0	6.0	7.5	9.0	7.0	9.0	11.0			
								20	2.0	3.0	4.5	4.0	5.5	6.0	6.0	8.0	10.0	8.0	9.0	11.0	6.0	7.5	10.0	8.0	10.0	12.0			
60	2.0	7.5	15.0	1.7	60	3.0	2.5	3.5	6.0	3.0	4.5	4.0	4.0	5.0	6.0	5.0	7.0	9.0	5.0	6.5	10.0	7.0	9.0	11.0					
						10.0	2.5	3.0	5.0	3.5	4.0	4.5	4.5	5.0	7.0	7.0	9.0	11.0	6.0	7.5	11.0	8.0	10.0	12.0					
						20	2.0	3.0	4.5	3.5	5.0	5.0	5.0	7.0	9.0	7.0	9.0	11.0	6.0	7.5	11.5	8.0	10.0	12.0					

*At the stated pressure in psi.

Anti-bearding set-ups are available to reduce nozzle build-up and maintenance time for select external mix air atomizing nozzles. For more information, call 1.800.95.SPRAY.



**PERFORMANCE DATA:
PRESSURE SPRAY SET-UPS | EXTERNAL MIX | VARIABLE SPRAY**

Spray Set-up No.	Spray Set-up Consists of Fluid and Air Cap Combination	Air Capacity*			Liquid Capacity*		Spray Coverage (in.) at Indicated Distance from Nozzle Fan Air Pressure																				
		Press.	Capacity		Press.	Cap. gph	Atom. Air Press.	Water Press.	0			5			10			20			30			40			
			Atomizing Air scfm	Fan Air scfm					A	B	C	A	B	C	A	B	C	A	B	C	A	B	C	A	B	C	
SUVM67A	Fluid Cap VMF2050 + Air Cap VMA67255-60	10.0	.58	2.0	1.0	.65	10.0	3.0	2.0	3.0	4.0	5.0	6.0	8.0	7.0	9.0	10.0	7.0	9.0	11.0	3.5	4.0	4.5	-	-	-	
			.73	2.6		10.0			2.5	3.5	4.5	6.0	8.0	9.5	7.0	9.0	11.0	8.0	10.0	12.0	4.5	5.0	6.0	-	-	-	
			.84	3.1		20			-	-	-	6.0	9.0	11.0	8.0	12.0	13.0	10.0	12.0	14.0	7.0	8.5	9.5	-	-	-	
		20	1.1	3.0	3.0	1.1	20	3.0	2.0	3.0	4.5	4.0	5.0	6.0	6.0	7.0	8.0	7.0	9.0	11.0	5.0	7.0	8.5	7.0	8.0	10.0	
			.84	3.1		10.0		2.0	3.0	4.0	5.0	7.0	9.0	7.0	9.0	10.0	8.0	10.0	12.0	6.0	7.0	8.0	7.0	8.0	10.0		
			1.1	3.9		20		2.0	3.0	4.0	6.0	7.0	9.0	8.0	10.0	12.0	9.0	12.0	14.0	7.0	8.0	10.0	7.0	8.0	10.0		
		30	1.3	4.6	5.0	1.5	30	3.0	2.0	3.0	4.5	3.0	4.0	5.0	5.0	6.0	7.0	6.0	7.0	8.0	10.0	5.5	6.5	7.0	7.0	9.0	11.0
			1.6	5.8		10.0		2.0	3.0	4.5	4.0	4.5	6.0	8.0	7.0	9.0	10.0	7.0	9.0	11.0	7.0	9.0	10.0	7.0	9.0	12.0	
			1.8	6.6		20		2.0	3.0	4.0	4.5	6.0	8.0	7.0	9.0	12.0	8.0	10.0	12.0	8.0	10.0	12.0	8.0	9.0	11.0		
		40	2.0	7.5	15.0	2.5	40	3.0	2.5	3.5	6.0	3.5	4.5	7.0	5.0	6.0	8.0	6.0	8.0	10.0	6.0	8.0	9.0	7.0	9.0	11.0	
			2.3	8.3		10.0		2.0	3.0	5.0	4.0	5.0	7.5	5.0	7.0	9.0	7.0	9.0	11.0	6.0	8.0	9.5	7.0	9.0	11.0		
			2.5	9.0		20		2.0	3.0	4.5	4.0	5.5	8.0	6.0	8.0	10.0	8.0	9.0	11.0	6.0	8.5	10.5	8.0	10.0	12.0		
60	2.5	9.0	20	2.9	60	3.0	2.5	3.5	6.0	3.0	4.5	6.0	4.0	5.0	6.0	5.0	7.0	9.0	6.5	7.5	9.0	7.0	9.0	11.0			
						10.0	2.5	3.0	5.0	3.5	4.0	6.5	4.5	5.0	7.0	7.0	9.0	11.0	6.5	9.0	11.0	8.0	10.0	12.0			
						20	2.0	3.0	4.5	3.5	5.0	7.0	5.0	7.0	9.0	7.0	9.0	11.0	6.5	9.0	12.0	8.0	10.0	12.0			
SUVM67	Fluid Cap VMF2850 + Air Cap VMA67255-60	10.0	.58	2.0	1.0	1.26	10.0	3.0	2.0	3.0	5.0	7.0	9.0	14.0	9.0	12.0	15.0	9.0	10.0	12.0	-	-	-	-	-		
			.73	2.6		10.0			-	-	-	8.5	11.0	15.0	12.0	15.0	21	15.0	18.0	19.0	-	-	-	-	-		
			.84	3.1		20			-	-	-	-	-	-	10.0	12.0	16.0	14.0	18.0	23	15.0	19.0	23	-	-	-	
		20	2.2	3.0	3.0	2.2	20	3.0	2.5	3.0	4.5	6.0	7.0	9.0	7.5	9.0	11.0	8.0	10.0	13.0	5.5	6.5	8.0	8.0	9.0	12.0	
			2.8	5.0		10.0		-	-	-	6.0	8.0	11.0	9.0	11.0	15.0	12.0	15.0	19.0	11.0	12.0	14.0	11.0	12.0	12.0		
			4.0	10.0		20		-	-	-	7.0	9.0	12.0	10.0	12.0	17.0	13.0	17.0	20	14.0	17.0	20	17.0	20	23		
		30	4.9	15.0	4.9	4.9	30	3.0	2.5	3.0	4.5	5.0	6.0	8.0	6.0	8.0	9.0	8.0	10.0	13.0	5.0	5.5	6.5	7.0	8.0	10.0	
			5.6	20		10.0		-	-	-	5.0	7.0	10.0	8.0	11.0	15.0	11.0	14.0	19.0	9.0	11.0	12.0	9.0	10.0	12.0		
			5.6	20		20		-	-	-	-	-	-	8.0	11.0	14.0	11.0	14.0	19.0	12.0	16.0	19.0	16.0	20	22		
		40	4.9	15.0	4.9	4.9	40	3.0	2.5	3.5	5.0	4.0	5.0	7.5	5.0	7.0	10.0	8.0	9.0	11.0	5.5	6.5	8.0	7.0	9.0	11.0	
			5.6	20		10.0		2.0	3.0	4.5	4.5	5.5	8.0	7.0	8.0	11.0	9.0	12.0	16.0	9.0	10.0	11.5	11.0	13.0	15.0		
			5.6	20		20		-	-	-	4.5	6.0	9.0	7.0	9.0	13.5	10.0	12.0	16.0	10.0	12.5	16.0	13.0	18.0	21		
60	5.6	20	5.6	5.6	60	3.0	2.5	3.5	5.5	4.0	4.5	7.0	5.0	6.0	8.0	7.0	9.0	11.0	5.5	6.5	7.5	7.0	9.0	11.0			
	5.6	20		10.0		2.5	3.5	5.5	4.5	5.0	7.5	6.0	7.0	9.5	8.0	11.0	13.0	6.5	9.0	11.0	8.0	10.0	12.0				
	5.6	20		20		2.0	3.0	4.5	4.0	5.5	8.0	6.0	8.0	10.0	8.0	11.0	14.0	9.0	11.0	15.0	10.0	14.0	16.0				
SUVM113A	Fluid Cap VMF3578 + Air Cap VMA113289-60	10.0	1.6	3.9	1.0	2.1	10.0	3.0	3.0	-	-	8.0	10.5	14.0	10.0	13.0	17.0	8.0	10.0	13.0	-	-	-	-	-		
			2.0	4.8		10.0			-	-	-	10.0	12.0	16.0	12.0	14.0	18.0	-	-	-	-	-	-	-			
			2.4	5.8		20			-	-	-	12.0	14.0	16.5	12.0	16.5	22	-	-	-	-	-	-	-			
		20	3.6	3.0	3.0	3.6	20	3.0	1.5	2.0	3.0	5.0	7.0	10.0	8.0	11.0	14.0	8.5	12.0	14.0	7.0	8.5	11.0	5.5	7.0	9.0	
			4.7	5.0		10.0		-	-	-	7.0	9.0	12.0	9.0	12.0	15.0	-	-	-	-	-	-					
			4.7	5.0		20		-	-	-	7.0	9.0	12.0	10.5	13.5	16.5	-	-	-	-	-	-					
		30	6.6	10.0	6.6	6.6	30	3.0	2.0	2.5	3.5	4.0	5.0	7.0	6.0	8.0	11.0	8.0	11.0	14.0	8.0	10.5	13.0	7.5	9.0	11.0	
			9.4	15.0		10.0		-	-	-	5.0	7.0	10.0	6.5	10.0	13.0	9.0	12.0	15.5	9.0	11.0	12.0	-	-			
			9.4	15.0		20		-	-	-	4.5	6.0	8.0	6.5	10.0	13.0	10.0	14.0	16.0	-	-	-	-				
		40	8.0	15.0	8.0	8.0	40	3.0	2.0	2.5	4.0	4.0	5.0	6.0	5.5	7.5	11.0	8.0	10.5	14.0	8.0	10.0	13.0	7.5	8.5	12.0	
			9.4	20		10.0		2.5	3.5	5.56	4.0	5.0	7.5	6.0	8.0	10.0	9.0	11.5	16.0	8.0	11.0	14.0	8.0	8.5	12.0		
			9.4	20		20		2.0	3.0	4.0	4.5	6.0	8.5	6.5	9.0	12.0	10.0	14.0	18.5	10.0	13.5	18.0	8.5	10.5	14.5		
60	9.4	20	9.4	9.4	60	3.0	2.0	2.5	3.0	2.0	4.0	5.0	5.0	6.5	8.0	8.0	10.0	12.0	7.5	9.5	14.0	7.5	9.5	12.0			
	9.4	20		10.0		2.5	3.0	4.5	4.0	4.5	6.0	5.5	7.0	9.5	8.0	10.0	13.0	10.0	12.0	15.0	9.0	12.0	15.0				
	9.4	20		20		2.5	3.0	5.0	4.0	4.5	7.5	5.5	7.5	9.5	8.5	11.0	10.0	10.0	12.5	18.0	9.0	12.0	15.0				

*At the stated pressure in psi.

Anti-bearding set-ups are available to reduce nozzle build-up and maintenance time for select external mix air atomizing nozzles. For more information, call 1.800.95.SPRAY.



**PERFORMANCE DATA:
VMAU PRESSURE SPRAY SET-UPS | EXTERNAL MIX | VARIABLE SPRAY**

Spray Set-up No.	Spray Set-up Consists of Fluid and Air Cap Combination	Air Capacity*			Liquid Capacity*		Spray Coverage (in.) at Indicated Distance from Nozzle Fan Air Pressure																							
		Press.	Capacity		Press.	Cap. gph	Atom. Air Press.	Water Press.	0			5			10			20			30			40						
			Atomizing Air scfm	Fan Air scfm					A	B	C	A	B	C	A	B	C	A	B	C	A	B	C	A	B	C				
SUVM113	Fluid Cap VMF4078 + Air Cap VMA113289-60	10.0	1.6	3.9	1.0	2.9	10.0	3.0	2.0	2.5	4.0	7.0	7.5	17.0	11.0	15.0	18.0	10.0	13.5	15.0	-	-	-	-	-	-	-	-	-	
									6.0	-	-	-	8.0	11.5	17.0	12.0	17.0	22	-	-	-	-	-	-	-	-	-	-	-	-
									10.0	-	-	-	9.0	13.0	18.0	12.0	17.0	23	-	-	-	-	-	-	-	-	-	-	-	-
		15.0	2.0	4.8	3.0	4.9	20	3.0	6.0	2.0	3.0	5.0	6.5	9.0	11.0	9.0	13.0	18.0	10.0	13.0	16.5	-	-	-	-	-	-	-	-	-
										20	2.4	5.8	7.0	9.0	12.0	9.5	12.0	17.0	14.0	15.0	18.5	-	-	-	-	-	-	-	-	-
										30	3.3	7.6	6.5	10.5	14.0	11.0	14.0	18.5	16.0	19.0	20	-	-	-	-	-	-	-	-	-
		20	2.4	5.8	5.0	6.4	30	6.0	3.0	2.0	2.5	4.0	5.0	7.0	11.0	7.0	11.0	13.5	9.0	12.0	17.0	8.0	11.0	13.0	-	-	-	-	-	-
										40	3.6	9.3	5.0	7.5	10.0	8.0	10.0	14.5	11.0	13.5	16.0	10.0	12.0	15.5	7.5	10.0	14.0	-	-	-
										50	4.5	11.0	10.0	9.0	8.0	10.5	14.0	8.0	10.5	14.0	11.5	15.0	20.5	12.0	15.0	18.0	9.5	12.0	17.0	
		30	3.3	7.6	10.0	9.0	40	10.0	3.0	1.5	2.5	4.0	4.0	6.0	8.0	6.5	8.5	12.0	9.0	12.0	16.0	8.5	11.5	15.0	8.5	11.0	14.5			
										60	5.2	12.7	4.5	6.0	8.0	7.0	9.0	12.5	10.0	13.0	17.0	10.5	12.0	16.0	8.5	11.0	15.0			
										70	5.9	14.4	4.5	6.5	7.5	7.0	10.0	14.5	10.0	14.0	19.0	11.0	13.0	17.0	10.0	12.0	19.0			
		40	4.8	11.5	15.0	11.0	60	15.0	3.0	2.0	3.0	4.0	3.5	5.0	7.0	6.0	7.5	10.0	8.0	11.0	14.0	9.0	11.0	15.0	8.0	10.5	14.0			
										60	5.2	12.7	5.0	7.5	6.0	8.0	10.5	12.0	9.0	12.5	15.5	9.0	12.5	18.0	9.5	11.5	16.5			
										90	7.2	17.6	20	12.8	6.0	8.0	13.0	8.5	10.5	16.5	9.5	13.0	16.0	9.5	12.5	16.5				

Spray Set-up No.	Spray Set-up Consists of Fluid and Air Cap Combination	Air Capacity*			Liquid Capacity*		Spray Coverage (in.) at Indicated Distance from Nozzle Fan Air Pressure																					
		Press.	Capacity		Press.	Cap. gph	Atom. Air Press.	Water Press.	0			5			10			15			20			25				
			Atomizing Air scfm	Fan Air scfm					A	B	C	A	B	C	A	B	C	A	B	C	A	B	C	A	B	C		
SUVM128	Fluid Cap VMF60100 + Air Cap VMA1282100-60	10.0	1.8	4.9	1.0	6.6	10.0	1.0	-	-	-	10.0	13.5	21	13.0	16.0	22	12.0	16.0	21	-	-	-	-	-	-		
									3.0	-	-	-	9.5	12.5	19.0	14.0	18.0	24	12.5	17.0	24	12.0	16.0	20	-	-	-	
									6.0	-	-	-	10.0	13.0	20	14.0	19.0	26	16.0	22	30	18.0	24.5	34	19.0	24	33	
		15.0	2.2	5.9	3.0	10.8	20	3.0	1.0	-	-	-	6.0	8.5	13.0	8.0	11.0	17.5	9.5	13.0	17.5	8.0	12.0	14.0	8.0	10.5	12.0	
										20	2.6	7.0	7.0	10.0	14.5	9.0	12.5	18.0	10.0	14.0	20	9.5	13.0	18.5	10.0	13.0	16.0	
										30	3.4	9.1	7.5	10.5	14.5	10.0	14.0	19.5	12.0	17.5	24	11.0	17.5	26	12.0	18.0	27	
		20	2.6	7.0	5.0	13.8	30	6.0	1.0	1.5	3.0	4.5	5.0	7.0	9.5	7.0	10.0	14.0	9.0	11.0	14.0	10.0	14.0	17.0	9.5	12.0	16.0	
										3.0	2.0	3.0	5.0	8.0	13.5	8.0	11.0	15.0	9.5	13.0	19.0	10.0	14.0	19.0	10.0	13.0	16.5	
										6.0	1.0	3.0	5.0	6.0	9.5	8.0	11.0	16.0	9.5	13.0	19.0	10.0	14.5	21.5	12.0	16.0	22	
		30	3.4	9.1	10.0	19.8	40	10.0	1.0	2.0	3.0	5.5	5.0	6.0	9.0	6.0	9.0	13.0	8.0	11.0	15.5	8.5	11.5	14.5	9.0	13.0	17.0	
										3.0	2.5	3.0	5.0	7.0	10.0	6.5	9.5	14.0	8.0	12.0	18.0	10.0	13.0	19.0	10.0	13.5	19.0	
										6.0	2.0	3.0	4.0	5.0	7.0	6.0	10.0	15.0	9.0	13.0	18.0	10.0	14.0	20	11.0	14.5	22	
		40	4.3	11.2	15.0	24	60	15.0	1.0	3.0	4.0	6.0	4.5	6.0	9.0	5.5	8.0	12.0	6.5	10.0	14.0	8.5	9.0	14.5	8.5	12.0	16.0	
										3.0	3.0	4.0	4.5	6.5	9.5	6.0	8.5	12.0	7.0	10.0	14.0	9.0	11.0	16.0	9.0	12.0	16.5	
										6.0	2.5	3.5	4.0	5.5	7.5	5.0	7.0	11.0	6.5	9.0	13.5	8.0	11.0	17.0	9.0	12.0	18.0	
		60	5.8	15.3	20	28.2	90	20	1.0	-	-	-	10.5	13.0	21	13.0	17.0	26	13.0	19.0	27	13.0	18.0	24	10.0	15.0	21.5	
										3.0	-	-	-	-	-	-	13.0	17.5	26	12.0	21	29	13.0	19.5	30	15.0	23	30
										6.0	-	-	-	-	-	-	14.0	19.0	26.5	16.5	21	28	16.0	24	34	-	-	-
SUVM152	Fluid Cap VMF80125 + Air Cap VMA1522110-60	10.0	2.1	5.1	1.0	12.6	10.0	1.0	-	-	-	-	-	-	14.0	19.0	26.5	16.5	21	28	16.0	24	34	-	-	-		
									3.0	-	-	-	6.0	8.0	13.0	9.5	13.0	18.5	10.0	15.0	22	8.0	12.0	14.0	9.0	14.0	21	
									6.0	-	-	-	7.0	9.5	15.0	10.0	14.0	20	11.0	15.5	20.5	9.5	13.0	18.5	12.5	13.0	25	
		15.0	2.6	6.2	3.0	19.2	20	3.0	1.0	-	-	-	-	-	-	10.0	13.5	21	12.0	17.5	26	11.0	17.5	26	15.0	21	32	
										20	3.2	7.3	6.0	8.0	12.0	7.5	11.0	17.0	10.0	13.5	19.5	10.0	14.0	17.0	9.0	14.0	19.5	
										30	4.1	9.5	5.0	7.0	10.5	8.0	12.0	19.0	10.5	13.5	20	10.0	14.0	19.0	12.0	16.5	22.5	
		20	2.6	7.3	5.0	24.6	30	6.0	1.0	-	-	-	-	-	-	8.5	11.0	16.0	11.0	14.0	20	10.0	14.5	21.5	12.0	16.0	24	
										30	4.1	9.5	4.0	5.0	6.0	6.0	8.0	12.0	8.0	12.0	16.5	8.5	11.5	14.5	9.0	13.0	18.0	
										40	5.0	11.7	5.0	7.5	10.0	7.0	10.0	15.0	8.5	12.5	18.0	10.0	13.0	19.0	10.0	15.0	21	
		30	3.2	9.5	10.0	36	40	10.0	1.0	-	-	-	-	-	-	10.0	7.0	10.0	14.0	8.5	12.0	17.0	10.0	14.0	20	11.0	16.0	
										60	6.9	16.0	3.0	5.0	6.5	6.5	7.5	10.5	8.0	10.0	14.0	8.5	9.0	14.5	8.0	12.0	18.0	
										70	7.0	18.0	4.0	5.0	7.5	6.0	8.5	12.0	7.0	10.0	14.5	9.0	11.0	16.0	10.0	13.0	18.5	
		40	4.1	11.7	15.0	43.2	60	15.0	1.0	1.5	2.0	3.0	3.0	5.0	6.5	6.5	7.5	10.5	8.0	10.0	14.0	8.5	9.0	14.5	8.0	12.0	18.0	
										3.0	-	-	-	5.0	7.5	10.0	7.0	10.0	15.0	8.5	12.5	18.0	10.0	13.0	19.0	10.0	15.0	21
										6.0	-	-	-	10.0	7.0	10.0	14.0	8.5	12.0	17.0	10.0	14.0	20	11.0	16.0	23		
		60	4.8	12.7	20	49.8	90	20	1.0	2.0	3.0	3.5	5.0	5.0	7.5	6.0	8.5	12.0	7.0	10.0	14.5	9.0	11.0	16.0	10.0	13.0	18.5	
										3.0	-	-	-	-	-	-	6.0	7.0	12.0	7.0	10.0	14.0	8.0	11.0	17.0	10.0	14.0	19.0
										6.0	-	-	-	-	-	-	6.0	7.0	12.0	7.0	10.0	14.0	8.0	11.0	17.0	10.0	14.0	19.0

*At the stated pressure in psi.

Anti-bearding set-ups are available to reduce nozzle build-up and maintenance time for select external mix air atomizing nozzles. For more information, call 1.800.95.SPRAY.





**PERFORMANCE DATA:
PRESSURE SPRAY SET-UPS | EXTERNAL MIX | VARIABLE SPRAY**

SUV spray set-ups provide uniform spray distribution even when spraying viscous liquids.

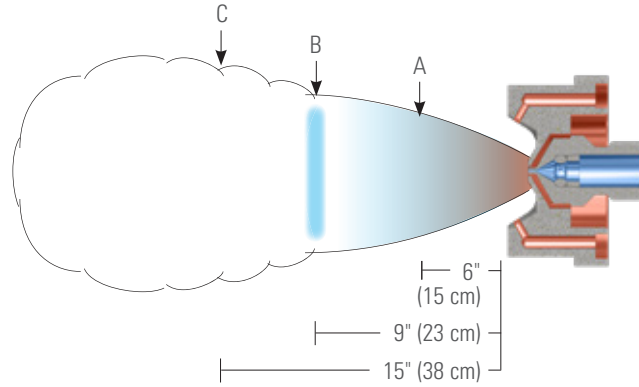
Liquid is supplied to this spray set-up under pressure.

The liquid and compressed air or gas are mixed externally to produce a completely atomized spray.

For external mix spray set-ups, atomization can be controlled by varying the air pressure without changing liquid flow rate.

Independent control of fan air provides the ability to adjust the spray pattern without changing liquid flow rate.

Spray coverage dimensions are provided in the table below at various distances from the nozzle.



Spray Set-up No.	Spray Set-up Consists of Fluid and Air Cap Combination	Air Capacity*†			Liquid Capacity*†		Spray Coverage (in.) at Indicated Distance from Nozzle																
		Press.	Atomizing Air scfm	Fan Air scfm	Press.	Cap. gph	Atom. Air Press.	Water Press.	Fan Air Pressure														
									0"†			10			40			60					
									A	B	C	A	B	C	A	B	C	A	B	C			
SUV67B	Fluid Cap VF1650 + Air Cap VA67255-60	10.0	.44	2.2	3.0	.7	10.0	3.0	2.0	3.0	4.0	7.0	9.0	10.0	6.0	8.0	11.0	6.0	8.0	11.0			
		15.0	.53	2.7	5.0	1.0		10.0	10.0	2.5	3.5	4.5	7.5	10.0	12.0	7.0	8.0	11.0	7.0	8.0	12.0		
		20	.62	3.3			10.0	1.4	30	20	2.0	3.0	4.0	8.0	12.0	14.0	9.0	11.0	14.0	8.0	10.0	13.0	
		30	.82	4.4	3.0	2.0				3.0	4.5	5.0	6.0	7.0	8.0	10.0	8.0	10.0	14.0	8.0	11.0	14.0	
		40	1.0	5.5	15.0	1.7	40	10.0	10.0	2.0	2.5	3.0	4.0	7.0	9.0	13.0	10.0	12.0	15.0	9.5	11.5	14.5	
		50	1.3	6.6				20	2.0	3.0	4.0	7.0	9.0	10.0	12.0	10.0	12.0	14.0	10.0	11.0	14.0		
		60	1.5	7.6	20	1.9	60	3.0	2.5	3.5	6.0	5.0	6.0	8.0	8.0	10.0	8.0	10.0	14.0	9.0	11.0	14.0	
		70	1.7	8.6				10.0	10.0	2.0	3.0	4.5	6.0	7.0	10.0	9.0	11.0	14.0	9.0	11.0	13.0		
		80	2.0	9.6	20	1.9	60	20	2.5	3.0	5.0	4.5	5.0	7.0	8.0	10.0	13.0	9.0	12.0	14.0	14.0		
		90	2.2	10.6				20	2.0	3.0	4.5	5.0	7.0	9.0	10.0	12.0	10.0	12.0	14.0	10.0	12.0	15.0	
		SUV67A	Fluid Cap VF2050 + Air Cap VA67255-60	10.0	.44	2.2	3.0	1.1	10.0	3.0	2.0	3.0	4.0	8.0	10.0	12.0	6.5	8.5	11.0	6.0	9.0	12.0	
				15.0	.53	2.7	5.0	1.5		10.0	10.0	2.5	3.5	4.5	8.0	12.0	15.0	9.0	14.0	18.0	7.0	10.0	13.0
20	.62			3.3	10.0	2.1			30	20	2.0	3.0	4.0	8.0	12.0	15.0	—	—	—	8.0	10.0	13.0	
30	.82			4.4			3.0	2.0		3.0	4.5	5.5	7.0	8.0	8.0	10.0	14.0	8.0	11.0	14.0			
40	1.0			5.5	15.0	2.5	40	10.0	10.0	2.0	3.0	5.0	7.0	9.0	12.0	10.0	12.0	14.0	9.0	10.0	13.0		
50	1.3			6.6				20	2.0	3.0	4.0	7.0	10.0	13.0	13.0	16.0	18.0	9.5	11.5	14.5			
60	1.5			7.6	20	2.9	60	3.0	2.5	3.5	5.5	5.0	6.5	9.0	8.0	10.0	14.0	9.0	11.0	14.0			
70	1.7			8.6				10.0	10.0	2.0	3.0	4.5	6.5	8.5	12.5	11.5	15.0	17.0	11.0	14.0	18.0		
80	2.0			9.6	20	2.9	60	20	2.5	3.5	6.0	4.5	5.5	7.0	8.0	10.5	13.0	9.0	11.0	14.0			
90	2.2			10.6				20	2.0	3.0	4.5	5.5	7.5	9.5	10.0	14.0	18.0	11.0	14.0	18.0			
SUV67	Fluid Cap VF2850 + Air Cap VA67255-60			10.0	.44	2.2	3.0	2.2	10.0	3.0	2.0	3.0	5.0	9.0	12.0	15.0	7.0	9.0	11.0	7.0	9.0	12.0	
				15.0	.53	2.7	5.0	2.8		10.0	10.0	2.0	2.5	4.0	12.0	15.0	21	12.0	20	23	—	—	—
		20	.62	3.3	10.0	4.0			30	20	—	—	—	10.0	12.0	16.0	—	—	—	—	—	—	
		30	.82	4.4			3.0	2.5		3.0	4.5	6.0	8.0	9.0	8.0	10.0	13.0	8.0	10.0	13.0			
		40	1.0	5.5	15.0	4.9	40	10.0	10.0	2.0	3.0	5.0	8.0	11.0	15.0	11.0	13.0	13.0	10.0	11.0	13.0		
		50	1.3	6.6				20	2.0	2.5	4.0	8.0	11.0	14.0	16.0	20	22	—	—	—			
		60	1.5	7.6	20	5.6	60	3.0	2.5	3.5	5.0	5.0	7.0	10.0	8.0	10.0	13.0	8.0	11.0	13.0			
		70	1.7	8.6				10.0	10.0	2.0	3.0	5.0	7.0	8.0	11.0	11.0	13.0	15.0	10.0	12.0	13.0		
		80	2.0	9.6	20	5.6	60	20	2.0	3.0	5.0	7.0	9.0	13.5	13.0	18.0	21	12.0	17.0	21			
		90	2.2	10.6				20	2.5	3.5	5.5	5.0	6.0	8.0	8.0	10.0	13.0	8.0	10.0	13.0	15.0		
									20	2.0	3.0	4.5	6.0	8.0	10.0	12.0	17.0	21	13.0	18.0	21		

*At the stated pressure in psi

Anti-bearding set-ups are available to reduce nozzle build-up and maintenance time for select external mix air atomizing nozzles. For more information, call 1.800.95.SPRAY.



**PERFORMANCE DATA:
PRESSURE SPRAY SET-UPS | EXTERNAL MIX | VARIABLE SPRAY**

Spray Set-up No.	Spray Set-up Consists of Fluid and Air Cap Combination	Air Capacity*†			Liquid Capacity*†		Spray Coverage (in.) at Indicated Distance from Nozzle													
		Press.	Atomizing Air scfm	Fan Air scfm	Press.	Cap. gph	Atom. Air Press.	Water Press.	Fan Air Pressure											
									0"			10			40			60		
									A	B	C	A	B	C	A	B	C	A	B	C
SUV113A	Fluid Cap VF3578 + Air Cap VA113293-60	10.0	1.6	3.5	3.0	3.6	10.0	3.0	2.5	3.5	5.0	9.0	13.0	17.0	-	-	-	-	-	-
		15.0	2.0	4.4	5.0	4.7		10.0	2.0	3.0	4.5	10.0	14.0	16.0	-	-	-	-	-	-
		20	2.4	5.4				20	-	-	-	9.0	13.0	17.0	18.0	24	29	-	-	-
		30	3.2	7.2	10.0	6.6	30	3.0	2.5	3.0	5.0	4.0	5.0	7.0	11.0	14.0	18.0	12.0	15.0	18.0
		40	4.0	8.9				10.0	2.5	3.5	5.5	4.0	6.0	9.0	13.0	19.0	24	17.0	21	26
		50	4.7	10.6				20	2.5	3.0	5.0	3.5	4.5	6.5	9.0	12.0	14.0	11.0	13.0	18.0
		60	5.5	12.3	15.0	8.0	40	10.0	2.5	3.5	5.0	4.0	5.0	6.5	10.0	14.0	18.0	15.0	18.0	22
		70	6.3	14.0				20	2.5	3.5	5.0	4.0	5.5	8.0	11.0	15.0	21	15.0	20	25
		80	7.0	15.5				3.0	2.5	3.5	5.0	3.0	4.0	6.0	8.0	10.0	13.0	10.0	12.0	17.0
		90	7.8	17.2	20	9.4	60	10.0	2.5	3.5	4.5	3.0	4.0	6.0	8.0	11.0	14.0	11.0	15.0	18.0
						20		2.5	3.5	4.5	3.0	4.5	7.0	10.0	12.0	16.0	12.0	17.0	22	
								3.0	3.0	4.0	6.0	9.0	12.0	18.0	-	-	-	-	-	
SUV113	Fluid Cap VF4078 + Air Cap VA113293-60	10.0	1.6	3.5	3.0	4.9	10.0	10.0	-	-	-	8.0	11.0	15.0	24	29	35	-	-	-
		15.0	2.0	4.4	5.0	6.4		20	-	-	-	9.0	12.0	15.0	21	28	-	-	-	-
		20	2.4	5.4				3.0	2.5	3.5	6.0	4.0	6.0	8.0	12.0	15.0	19.0	12.0	15.0	19.0
		30	3.2	7.2	10.0	9.0	30	10.0	2.5	3.5	5.0	4.5	6.0	8.0	14.0	18.0	23	17.0	22	25
		40	4.0	8.9				20	2.0	3.0	5.0	4.5	6.0	9.0	14.0	18.0	27	18.0	23	27
		50	4.7	10.6				3.0	2.5	3.5	6.0	3.5	5.0	7.0	10.0	13.0	17.0	12.0	14.0	18.0
		60	5.5	12.3	15.0	11.0	40	10.0	2.5	3.5	5.5	4.0	6.0	8.0	12.0	16.0	20.0	15.0	18.0	22
		70	6.3	14.0				20	2.5	3.5	5.5	3.5	5.0	8.0	13.0	17.0	22	16.0	20	24
		80	7.0	15.5				3.0	2.5	3.5	6.0	2.5	4.0	7.0	9.0	11.0	14.0	10.0	12.0	17.0
		90	7.8	17.2	20	12.8	60	10.0	2.5	3.5	5.5	3.0	4.0	6.0	10.0	13.0	16.0	13.0	16.0	20
						20		2.5	3.5	5.5	3.0	4.0	6.0	9.0	13.0	17.0	12.0	17.0	23	
								3.0	3.0	4.0	5.0	7.0	10.0	13.0	-	-	-	-	-	
SUV128	Fluid Cap VF60100 + Air Cap VA1282125-60	10.0	1.6	3.9	3.0	10.0	10.0	10.0	-	-	-	-	-	-	21	26	33	-	-	-
		15.0	2.0	4.9	5.0	13.0		20	-	-	-	-	-	-	17.0	22	30	22	27	34
		20	2.4	6.0				3.0	3.0	4.0	5.0	4.0	6.0	8.0	12.0	14.0	21	17.0	19.0	25
		30	3.1	8.1	10.0	18.4	30	10.0	2.5	3.5	5.0	4.0	6.0	8.5	12.0	16.0	22	15.0	21	28
		40	3.9	10.2				20	-	-	-	-	-	-	11.0	15.0	21	15.0	18.0	24
		50	4.7	12.3				3.0	3.0	4.0	5.5	3.5	5.0	7.0	10.0	12.0	17.0	12.0	17.0	21
		60	5.4	14.3	15.0	23	40	10.0	2.5	3.5	5.0	4.0	5.0	7.0	11.0	14.0	20	14.0	18.0	25
		70	6.2	16.3				20	2.5	3.5	5.0	3.0	5.0	8.0	9.0	13.0	17.0	13.0	18.0	24
		80	7.0	18.2				3.0	3.0	4.0	6.0	3.0	4.0	6.0	8.0	10.0	13.0	10.0	13.0	18.0
		90	7.8	20.0	20	26	60	10.0	3.0	4.0	5.0	3.5	4.5	7.0	9.0	12.0	16.0	12.0	16.0	21
						20		3.0	3.5	5.0	3.0	4.0	5.5	8.0	10.0	15.0	12.0	16.0	21	
								3.0	3.0	4.0	5.0	8.0	11.0	15.0	-	-	-	-	-	
SUV152	Fluid Cap VF80125 + Air Cap VA1522125-60	10.0	1.8	3.9	3.0	18.3	10.0	10.0	-	-	-	-	-	-	21	27	35	-	-	-
		15.0	2.2	4.8	5.0	24		20	-	-	-	-	-	-	18.0	22	30	-	-	-
		20	2.6	5.8				3.0	3.0	4.0	5.0	5.0	6.5	9.0	13.0	18.0	23	-	-	-
		30	3.6	7.8	10.0	33	30	10.0	-	-	-	5.0	7.0	9.0	13.0	17.0	22	18.0	25	27
		40	4.4	9.8				20	-	-	-	-	-	-	13.0	17.0	22	17.0	22	29
		50	5.3	11.7				3.0	3.0	4.0	5.5	5.0	6.0	9.0	11.0	15.0	19.0	17.0	24	30
		60	6.2	13.6	15.0	41	40	10.0	3.0	3.5	5.0	4.5	5.5	7.5	11.0	15.0	20	16.0	20	29
		70	7.0	15.4				20	-	-	-	-	-	-	10.0	14.0	20	14.0	19.0	27
		80	7.8	17.2				3.0	3.0	4.0	6.0	4.0	6.0	8.0	9.0	12.0	16.0	14.0	17.0	21
		90	8.6	18.8	20	47	60	10.0	3.0	4.0	6.5	4.0	6.5	7.5	10.0	13.0	17.0	13.0	17.0	23
						20		2.5	3.0	5.0	3.5	4.5	6.0	7.0	12.0	15.0	12.0	16.0	21	

*At the stated pressure in psi

† Since the pressures of the air and liquid lines are independently controlled, any combination of these air and liquid pressures can be used. The total air capacity is the sum of the atomizing air scfm and the fan air. For instance, for atomizing air at 10 psi and fan air at 30 psi, the total is equal to .44 scfm + 4.4 scfm for a total of 4.84 scfm.

†† At 0 psi fan air pressure the spray forms a round spray pattern. Request Data Sheets 37459M-V67B, 37459M-V67A and 37459M-V67.

Spray set-ups are interchangeable, but each set-up uses a different needle size.

Anti-bearding set-ups are available to reduce nozzle build-up and maintenance time for select external mix air atomizing nozzles. For more information, call 1.800.95.SPRAY.





**PERFORMANCE DATA:
PRESSURE SPRAY SET-UPS | EXTERNAL MIX | FLAT SPRAY**

SUVXE spray set-ups provide uniform spray distribution even when spraying viscous liquids.

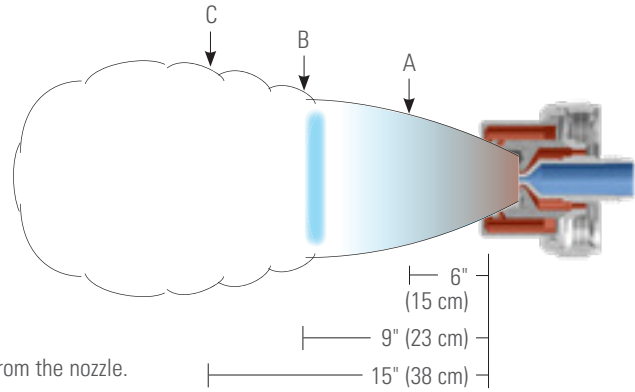
Liquid is supplied to this spray set-up under pressure.

The liquid and compressed air or gas are mixed externally to produce a completely atomized spray.

For external mix spray set-ups, atomization can be controlled by varying the air pressure without changing liquid flow rate.

Independent control of fan air provides the ability to adjust the spray pattern without changing liquid flow rate.

Spray coverage dimensions are provided in the table below at various distances from the nozzle.



Spray Setup No.	Spray Set-up Consists of Fluid and Air Cap Combination	Liquid			Total Air Flow (scfm) and Spray Width (in.) at 6 in. from Nozzle**																	
		Press.*	Flow Rate		Atom. Air Press.*	Fan Air Pressure*																
			gpm	gph		5		10		15		20		25		30		40				
SUVXE1A	PFX16 + PAVX140A	3	0.013	0.78	5	4.4	17.2															
					10	4.6	17.5															
					15	4.8	16.7															
					20	5.0	15.3	6.6	17.1													
		5	0.016	0.96	10	4.6	16.2	6.2	17.7													
					15	4.8	13.9	6.4	17.6													
					20	5.0	13.2	6.6	17.0													
					25	5.1	11.5	6.7	15.4	7.9	16.9											
		10	0.023	1.38	15	4.8	13.3	6.4	15.4	7.6	17.2											
					20	5.0	12.8	6.6	15.2	7.8	16.9											
					25	5.1	11.4	6.7	13.8	7.9	16.3	8.9	17.9									
					30	5.3	10.0	6.9	13.3	8.1	15.2	9.1	17.2									
		15	0.029	1.74	20	5.0	13.9	6.6	17.0	7.8	17.3											
					25	5.1	12.5	6.7	15.4	7.9	16.8	8.9	17.8									
					30	5.3	11.1	6.9	13.8	8.1	15.5	9.1	17.6									
					40	5.7	9.6	7.3	11.6	8.5	14.7	9.5	15.6	10.4	17.5							
20	0.033	1.98	25	5.1	12.0	6.7	13.8	7.9	15.8	8.9	17.0											
			30	5.3	11.7	6.9	13.6	8.1	15.5	9.1	17.4											
			40	5.7	9.4	7.3	12.6	8.5	14.8	9.5	17.2	10.4	19.2									
SUVXE2C	PFX16 + PAVX156A	3	0.013	0.78	5	5.1	15.7															
					10	5.6	13.1	7.2	13.9													
					15	6.0	9.3	7.6	12.7	8.8	14.8											
					20	6.4	8.8	8.0	10.3	9.2	13.2											
		5	0.016	0.96	10	5.6	13.2	7.2	16.3													
					15	6.0	11.0	7.6	13.6	8.8	16.5											
					20	6.4	8.0	8.0	11.9	9.2	13.5	10.2	16.4									
					25	6.7	7.5	8.3	10.4	9.5	12.4	10.5	15.6									
		10	0.023	1.38	15	6.0	10.8	7.6	13.4	8.8	15.5	9.8	16.9									
					20	6.4	8.7	8.0	11.5	9.2	13.5	10.2	15.9	11.1	18.3							
					25	6.7	7.3	8.3	11.0	9.5	12.8	10.5	15.4	11.4	17.2							
					30	7.2	5.6	8.8	8.1	10.0	10.8	11.0	14.2	11.9	14.6	13.3	16.2					

*At the stated pressure in psi

**Data collected with water at 70°F. Blank cells are not recommended.



**PERFORMANCE DATA:
PRESSURE SPRAY SET-UPS | EXTERNAL MIX | FLAT SPRAY**

Spray Setup No.	Spray Set-up Consists of Fluid and Air Cap Combination	Liquid			Total Air Flow (scfm) and Spray Width (in.) at 6 in. from Nozzle**																
		Press.*	Flow Rate		Atom. Air Press.*	Fan Air Pressure*															
			gpm	gph		5		10		15		20		25		30		40			
						Flow	Width	Flow	Width	Flow	Width	Flow	Width	Flow	Width	Flow	Width	Flow	Width		
SUVXE2C	PFX16 + PAVX156A	15	0.029	1.74	20	6.4	9.1	8.0	11.5	9.2	13.6	10.2	15.0	11.1	15.8						
					25	6.7	6.8	8.3	9.1	9.5	13.1	10.5	15.0	11.4	15.8	12.8	16.6				
					30	7.2	6.1	8.8	8.9	10.0	10.9	11.0	13.7	11.9	15.4	13.3	16.2				
					40	7.9	5.2	9.5	6.8	10.7	10.3	11.7	12.6	12.6	14.8	14.0	15.9	16.3	16.8		
		20	0.033	1.98	25	6.7	8.5	8.3	11.1	9.5	12.1	10.5	14.6	11.4	16.5	12.8	18.5				
					30	7.2	5.7	8.8	8.5	10.0	11.6	11.0	14.3	11.9	16.4	13.3	17.9				
					40	7.9	5.6	9.5	7.7	10.7	10.3	11.7	13.4	12.6	15.0	14.0	15.4	16.3	16.9		
SUVXE1	PFX20 + PAVX140A	3	0.020	1.2	5	4.4	16.7														
					10	4.6	16.1														
					15	4.8	15.9														
					20	5.0	15.2	6.6	17.8												
		5	0.026	1.56	10	4.6	15.9	6.2	18.6												
					15	4.8	14.5	6.4	17.5												
					20	5.0	14.2	6.6	17.0												
					25	5.1	13.1	6.7	16.5												
		10	0.036	2.16	15	4.8	15.6	6.4	17.9												
					20	5.0	15.0	6.6	17.0												
					25	5.1	13.7	6.7	16.1	7.9	18.2										
					30	5.3	11.6	6.9	13.9	8.1	16.4	9.1	18.7								
		15	0.045	2.7	20	5.0	15.0	6.6	17.0	7.8	18.1										
					25	5.1	13.9	6.7	15.7	7.9	17.0										
					30	5.3	11.7	6.9	15.0	8.1	16.6	9.1	18.6								
					40	5.7	9.1	7.3	12.9	8.5	15.7	9.5	16.0	10.4	16.9						
		20	0.051	3.06	25	5.1	13.2	6.7	14.7	7.9	17.6	8.9	18.6								
					30	5.3	12.6	6.9	14.6	8.1	15.6	9.1	17.1	10.0	18.0						
					40	5.7	9.5	7.3	12.6	8.5	15.1	9.5	16.9	10.4	17.8	11.8	18.1				
		SUVXE2B	PFX20 + PAVX156A	3	0.020	1.2	5	5.1	15.6												
							10	5.6	15.6												
							15	6.0	12.3												
							20	6.4	9.1	8.0	12.0										
5	0.026			1.56	10	5.6	14.1	7.2	16.9												
					15	6.0	12.0	7.6	15.7												
					20	6.4	9.2	8.0	13.5	9.2	14.3										
					25	6.7	7.5	8.3	11.1	9.5	13.2										
10	0.036			2.16	15	6.0	12.8	7.6	14.7	8.8	16.6										
					20	6.4	10.4	8.0	11.4	9.2	15.7										
					25	6.7	8.7	8.3	10.7	9.5	12.5	10.5	15.4	11.4	17.4						
					30	7.2	7.1	8.8	9.1	10.0	12.6	11.0	13.9	11.9	16.0						
15	0.045			2.7	20	6.4	8.7	8.0	12.2	9.2	16.6	10.2	18.4								
					25	6.7	9.8	8.3	11.9	9.5	14.2	10.5	16.2	11.4	17.3						
					30	7.2	6.9	8.8	8.9	10.0	12.0	11.0	15.1	11.9	15.9	13.3	18.1				
					40	7.9	6.0	9.5	8.1	10.7	10.6	11.7	13.0	12.6	15.4	14.0	16.6				
20	0.051			3.06	25	6.7	8.4	8.3	10.3	9.5	12.7	10.5	15.0	11.4	17.0						
					30	7.2	6.5	8.8	9.4	10.0	12.0	11.0	14.6	11.9	15.2	13.3	17.0				
					40	7.9	5.3	9.5	5.7	10.7	11.5	11.7	13.9	12.6	14.2	14.0	16.6	16.3	17.1		

*At the stated pressure in psi

**Data collected with water at 70°F. Blank cells are not recommended.



**PERFORMANCE DATA:
PRESSURE SPRAY SET-UPS | EXTERNAL MIX | FLAT SPRAY**

Spray Setup No.	Spray Set-up Consists of Fluid and Air Cap Combination	Liquid			Total Air Flow (scfm) and Spray Width (in.) at 6 in. from Nozzle**																				
		Press.*	Flow Rate		Atom. Air Press.*	Fan Air Pressure*																			
			gpm	gph		5		10		15		20		25		30		40							
						Flow	Width	Flow	Width	Flow	Width	Flow	Width	Flow	Width	Flow	Width	Flow	Width						
SUVXE2	PFX40 + PAVX156A	10	0.14	8.4	25	6.7	12.6	8.3	14.2	9.5	17.7														
					30	7.2	11.8	8.8	13.0	10.0	16.8														
					20	6.4	14.7	8.0	16.1	9.2	18.4														
		15	0.17	10.2	25	6.7	12.8	8.3	14.5	9.5	18.3														
					30	7.2	11.7	8.8	14.2	10.0	16.3														
					40	7.9	10.6	9.5	12.6	10.7	14.9	11.7	16.6												
		20	0.20	12	25	6.7	13.0	8.3	15.4	9.5	17.2														
					30	7.2	11.0	8.8	14.4	10.0	16.6														
					40	7.9	10.3	9.5	12.5	10.7	15.2	11.7	16.0	12.6	17.9										
SUVXE3A	PFX40 + PAVX180A	3	0.077	4.62	5	6.3	23.6																		
					10	7.3	20.5																		
					15	8.1	17.1																		
					20	8.8	13.0	10.4	16.9																
		5	0.10	6	10	7.3	19.7																		
					15	8.1	16.2																		
					20	8.8	13.8	10.4	17.2																
					25	9.4	12.0	11.0	14.6	12.2	17.2														
		10	0.14	8.4	15	8.1	16.7																		
					20	8.8	14.3	10.4	17.3																
					25	9.4	12.0	11.0	14.2	12.2	17.3														
					30	10.3	10.4	11.9	12.3	13.1	15.4	14.1	17.8												
		15	0.17	10.2	20	8.8	14.3	10.4	16.5	11.6	19.3														
					25	9.4	11.5	11.0	13.9	12.2	16.6														
					30	10.3	10.3	11.9	13.2	13.1	16.1	14.1	17.6												
					40	11.8	7.8	13.3	10.5	14.5	13.3	15.6	15.6	16.5	17.6										
		20	0.20	12	25	9.4	11.9	11.0	14.2	12.2	17.4														
					30	10.3	9.9	11.9	12.2	13.1	15.1	14.1	17.1												
					40	11.8	8.1	13.3	9.9	14.5	11.8	15.6	15.2	16.5	17.4										
		SUVXE3	PFX60 + PAVX180A	3	0.18	10.8	5	6.3	25.2																
							10	7.3	20.5																
							15	8.1	17.4																
							20	8.8	14.6	10.4	16.8														
5	0.23			13.8	10	7.3	25.6																		
					15	8.1	17.6																		
					20	8.8	16.3	10.4	18.7																
					25	9.4	13.2	11.0	16.1	12.2	18.2														
10	0.32			19.2	15	8.1	18.1																		
					20	8.8	16.0	10.4	17.9																
					25	9.4	14.6	11.0	16.7																
					30	10.3	12.4	11.9	14.1	13.1	16.9														
15	0.40			24	20	8.8	15.0	10.4	17.0																
					25	9.4	13.7	11.0	15.1	12.2	19.6														
					30	10.3	11.7	11.9	14.2	13.1	17.4														
					40	11.8	9.8	13.3	11.9	14.5	14.3	15.6	16.5												
20	0.46			27.6	25	9.4	14.1	11.0	15.7	12.2	18.7														
					30	10.3	12.2	11.9	14.1	13.1	16.4	14.1	19.2												
					40	11.8	8.3	13.3	13.0	14.5	14.6	15.6	16.9												

*At the stated pressure in psi

**Data collected with water at 70°F. Blank cells are not recommended.



**PERFORMANCE DATA:
PRESSURE SPRAY SET-UPS | EXTERNAL MIX | FLAT SPRAY**

Spray Setup No.	Spray Set-up Consists of Fluid and Air Cap Combination	Liquid			Total Air Flow (scfm) and Spray Width (in.) at 6 in. from Nozzle**																					
		Press.*	Flow Rate		Atom. Air Press.*	Fan Air Pressure*																				
			gpm	gph		5		10		15		20		25		30		40								
						Flow	Width	Flow	Width	Flow	Width	Flow	Width	Flow	Width	Flow	Width	Flow	Width							
SUVXE4B	PFX60 + PAVX200A	3	0.18	10.8	5	7.4	15.4	9.0	21.7																	
					10	8.9	10.8	10.5	19.3																	
					15	10.1	10.9	11.7	15.7																	
					20	11.1	7.8	12.6	10.7	13.8	13.4															
		5	0.23	13.8	10	8.9	11.0	10.5	14.6	11.7	21.2															
					15	10.1	9.3	11.7	12.9	12.9	14.0															
					20	11.1	7.5	12.6	10.2	13.8	12.0	14.9	15.0													
					25	11.9	7.2	13.5	9.1	14.7	11.9	15.7	12.9													
		10	0.32	19.2	15	10.1	9.1	11.7	11.9	12.9	15.0															
					20	11.1	7.1	12.6	10.5	13.8	12.3	14.9	16.1													
					25	11.9	7.4	13.5	9.1	14.7	12.2	15.7	14.3													
					30	13.3	6.2	14.8	8.3	16.0	10.7	17.1	11.8	18.0	14.7											
		15	0.40	24	20	11.1	7.7	12.6	10.7	13.8	13.4	14.9	16.5													
					25	11.9	6.5	13.5	9.0	14.7	12.6	15.7	13.9	16.6	16.7											
					30	13.3	6.2	14.8	8.3	16.0	10.9	17.1	13.3	18.0	13.8											
					40	15.4	4.7	17.0	6.4	18.2	8.4	19.2	10.8	20.1	11.3	21.5	14.2									
20	0.46	27.6	25	11.9	7.0	13.5	10.0	14.7	12.2	15.7	14.9	16.6	17.0													
			30	13.3	7.0	14.8	9.5	16.0	11.1	17.1	13.5	18.0	15.6	19.4	16.9											
			40	15.4	4.9	17.0	7.3	18.2	9.7	19.2	11.8	20.1	14.0	21.5	14.4	23.7	16.2									
SUVXE4A	PFX80 + PAVX200A	3	0.31	18.6	5	7.4	11.2	9.0	12.6	10.2	16.3															
					10	8.9	11.5	10.5	12.6	11.7	15.7															
					15	10.1	10.0	11.7	12.7	12.9	15.1															
					20	11.1	9.3	12.6	11.4	13.8	14.6															
		5	0.40	24	10	8.9	10.6	10.5	12.1	11.7	14.7															
					15	10.1	10.0	11.7	11.9	12.9	13.6															
					20	11.1	8.7	12.6	10.4	13.8	13.0															
					25	11.9	9.0	13.5	10.9	14.7	12.2															
		10	0.56	33.6	15	10.1	9.1	11.7	11.1	12.9	12.0	13.9	13.4													
					20	11.1	9.4	12.6	10.3	13.8	11.3	14.9	12.5													
					25	11.9	8.0	13.5	10.5	14.7	11.6	15.7	11.7													
					30	13.3	7.6	14.8	10.0	16.0	11.4	17.1	12.3													
		15	0.69	41.4	20	11.1	9.8	12.6	10.9	13.8	11.7	14.9	12.8													
					25	11.9	9.1	13.5	11.0	14.7	11.4	15.7	12.3													
					30	13.3	8.6	14.8	10.2	16.0	11.4	17.1	12.0													
					40	15.4	7.1	17.0	9.4	18.2	9.9	19.2	11.3													
20	0.79	47.4	25	11.9	9.1	13.5	10.2	14.7	11.1	15.7	11.1	16.6	12.6													
			30	13.3	8.1	14.8	9.8	16.0	10.7	17.1	11.7	18.0	12.2													
			40	15.4	7.4	17.0	9.3	18.2	10.2	19.2	10.9	20.1	11.8													

*At the stated pressure in psi

**Data collected with water at 70°F. Blank cells are not recommended.



**PERFORMANCE DATA:
PRESSURE SPRAY SET-UPS | EXTERNAL MIX | FLAT SPRAY**

Spray Setup No.	Spray Set-up Consists of Fluid and Air Cap Combination	Liquid			Total Air Flow (scfm) and Spray Width (in.) at 6 in. from Nozzle**																	
		Press.*	Flow Rate		Atom. Air Press.*	Fan Air Pressure*																
			gpm	gph		5		10		15		20		25		30		40				
						Flow	Width	Flow	Width	Flow	Width	Flow	Width	Flow	Width	Flow	Width	Flow	Width			
SUVXE4	PFX100 + PAVX200A	3	0.49	29.4	5	7.4	10.4															
					10	8.9	7.5	10.5	10.0													
					15	10.1	4.8	11.7	8.1	12.9	11.1											
					20	11.1	4.5	12.6	5.9	13.8	9.1											
		5	0.64	38.4	10	8.9	8.3	10.5	11.7													
					15	10.1	5.8	11.7	8.1	12.9	9.9											
					20	11.1	4.4	12.6	5.0	13.8	7.3											
					25	11.9	3.0	13.5	4.1	14.7	6.3	15.7	8.2									
		10	0.90	54	15	10.1	5.4	11.7	7.8	12.9	8.9											
					20	11.1	3.5	12.6	5.7	13.8	7.5	14.9	10.6									
					25	11.9	2.8	13.5	5.3	14.7	6.9	15.7	10.2									
					30	13.3	2.9	14.8	4.2	16.0	6.0	17.1	8.9	18.0	10.6							
		15	1.1	66	20	11.1	4.5	12.6	5.4	13.8	7.4	14.9	11.7									
					25	11.9	3.2	13.5	4.1	14.7	7.1	15.7	10.1									
					30	13.3	3.2	14.8	3.9	16.0	6.2	17.1	9.6	18.0	11.0							
					40	15.4	2.6	17.0	3.6	18.2	4.6	19.2	6.4	20.1	8.6							
		20	1.3	78	25	11.9	3.7	13.5	5.6	14.7	7.8	15.7	10.9									
					30	13.3	3.0	14.8	5.3	16.0	6.8	17.1	9.7	18.0	10.3							
					40	15.4	2.4	17.0	2.9	18.2	3.9	19.2	6.1	20.1	7.2	21.5	9.8	23.7	12.0			

*At the stated pressure in psi

**Data collected with water at 70°F. Blank cells are not recommended.



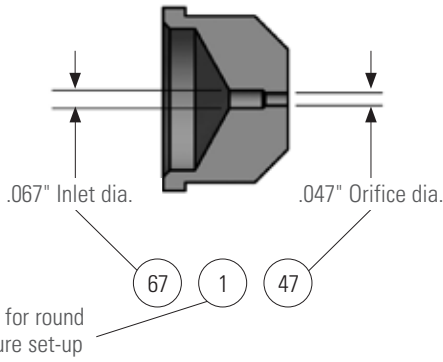
NUMBERING SYSTEM FOR AIR CAPS AND FLUID CAPS

The drawings below illustrate the measurements used in the Spray Performance Data charts.

**AIR CAPS
PRESSURE SET-UPS (INTERNAL MIX)**

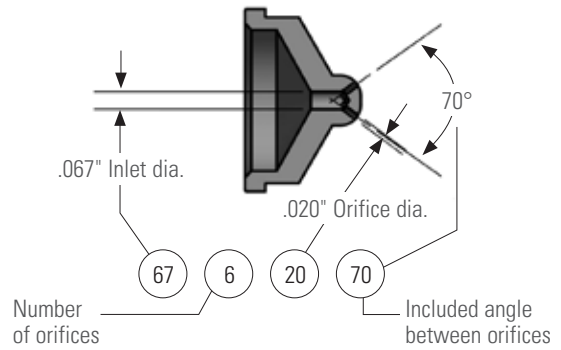
Round Spray Pattern

Example: Air Cap No. PA67147



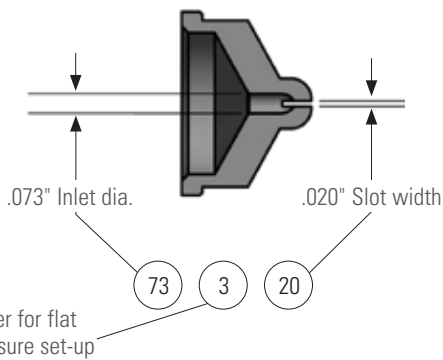
Wide Angle Round Spray Pattern

Example: Air Cap No. PA67-6-20-70



Flat Spray Pattern

Example: Air Cap No. PA73320



Dimensions shown are nominal and subject to manufacturing tolerances.

PLACING YOUR ORDER

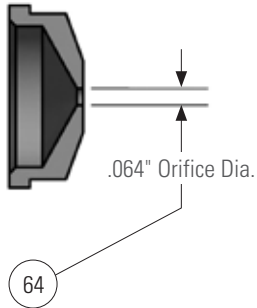
**Call 1.800.95.SPRAY for application assistance
or to place an order.**

AIR CAPS

SIPHON/GRAVITY FEED SET-UPS (EXTERNAL MIX)

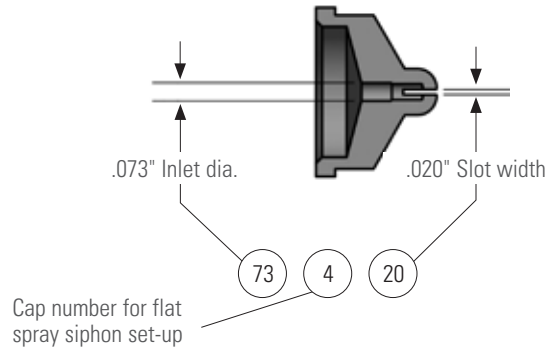
Round Spray Pattern

Example: Air Cap No. PA64



Flat Round Spray Pattern

Example: Air Cap No. PA73420

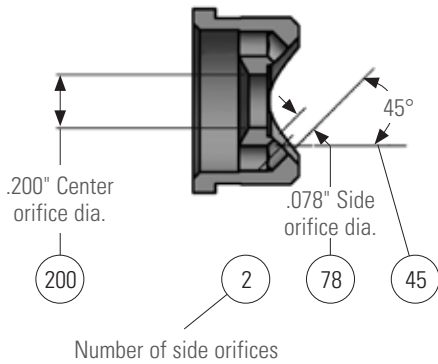


AIR CAPS

PRESSURE SET-UPS (EXTERNAL MIX)

Flat Spray Pattern

Example: Air Cap No. PA200278-45

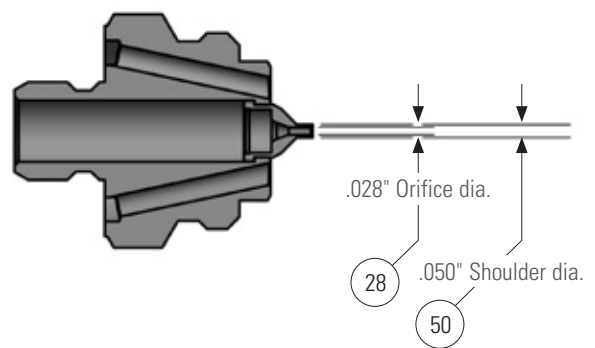


FLUID CAP

FOR USE WITH ALL SET-UPS

Fluid Cap

Example: Fluid Cap No. PF2850



Dimensions shown are nominal and subject to manufacturing tolerances.

AIR ATOMIZING SET-UP COMPATIBILITY

Use the chart that follows to determine which spray set-ups can be used with our atomizing nozzles. The chart also includes the part number for the air cap and fluid cap that are required for each spray set-up.

Set-up No.	Spray Pattern	Fluid Cap No.	Air Cap No.
SU11	Round	PF2050	PA67147
SU12A	Round	PF2050	PA73160
SU12	Round	PF2850	PA73160
SU22B	Round	PF40100	PA1401110
SU22	Round	PF60100	PA1401110
SU42	Round	PF100150	PA1891125
SU16	Wide Angle Round	PF2050	PA67-6-20-70
SU26B	Wide Angle Round	PF40100	PA140-6-37-70
SU26	Wide Angle Round	PF60100	PA140-6-37-70
SU29	Wide Angle Round	PF60100	PA140-6-52-70
SU30	Wide Angle Round	PF40100	PA120-6-35-60
SU46	Wide Angle Round	PF100150	PA189-6-62-70
SU340C	360° Circular	PF60150	PA189-6-62-160HC
SU13A	Flat	PF2050	PA73328
SU13	Flat	PF2850	PA73328
SUN13	Flat	PF2850	PA73335
SU14	Flat	PF2850	PA73320
SUN23	Flat	PF60100	PA125340
SU23B	Flat	PF40100	PA125328
SU23	Flat	PF60100	PA125328
SU43	Flat	PF100150	PA189351
SU240E	Deflected Flat	PF28150	PA189110-75
SUE15B	Flat	PF1650	PA67228-45

Set-up No.	Spray Pattern	Fluid Cap No.	Air Cap No.
SUE18B	Flat	PF1650	PA62240-60
SUE15A	Flat	PF2050	PA67228-45
SUE18A	Flat	PF2050	PA62240-60
SUE15	Flat	PF2850	PA67228-45
SUE18	Flat	PF2850	PA62240-60
SUE25B	Flat	PF35100	PA134255-45
SUE28B	Flat	PF35100	PA122281-60
SUE25A	Flat	PF40100	PA134255-45
SUE28A	Flat	PF40100	PA122281-60
SUE28	Flat	PF60100	PA122281-60
SUE25	Flat	PF60100	PA134255-45
SUE45B	Flat	PF60150	PA200278-45
SUE45A	Flat	PF80150	PA200278-45
SUE45	Flat	PF100150	PA200278-45
SUF1	Flat	PF2850	PA73420
SUF2C	Flat	PF35100	PA120432
SUF3B	Flat	PF40100	PA122435
SUF4B	Flat	PF40100	PA122440
SU1A	Round	PF1650	PA64
SU1	Round	PF2050	PA64
SU2A	Round	PF2050	PA70
SU2	Round	PF2850	PA70
SU4	Round	PF60100	PA120



Set-up No.	Spray Pattern	Fluid Cap No.	Air Cap No.
SU5	Round	PF100150	PA180
D-SU1A-W D-SU1A-W-CO	Wide Angle Round	Fluid caps and air caps not sold separately.	
D-SU1-W D-SU1-W-CO	Wide Angle Round		
D-SU2A-W D-SU2A-W-CO	Wide Angle Round		
D-SU2-W D-SU2-W-CO	Wide Angle Round		
D-SU4-W D-SU4-W-CO	Wide Angle Round		
D-SU5-W D-SU5-W-CO	Wide Angle Round		
SUJ11	Round		
SUJ12A	Round	PFJ2050	PAJ73160
SUJ12	Round	PFJ2850	PAJ73160
SUJ22B	Round	PFJ40100	PAJ1401110
SUJ22	Round	PFJ60100	PAJ1401110
SUJ340C	360° Circular	PFJ60100	PAJ150-6-62-160HC
SUJ16	Wide Angle Round	PFJ2050	PAJ67-6-20-70
SUJ26B	Wide Angle Round	PFJ40100	PAJ140-6-37-70
SUJ26	Wide Angle Round	PFJ60100	PAJ140-6-37-70
SUJ29	Wide Angle Round	PFJ60100	PAJ140-6-52-70
SUJ30	Wide Angle Round	PFJ40100	PAJ120-6-35-60
SUJ13A	Flat	PFJ2050	PAJ73328
SUJ13	Flat	PFJ2850	PAJ73328
SUJ14	Flat	PFJ2850	PAJ73320
SUJ23B	Flat	PFJ40100	PAJ125328
SUJ23	Flat	PFJ60100	PAJ125328
SUJE416-50	Flat	PFJ1650	PAJ105-50
SUJE417-50	Flat	PFJ2050	PAJ105-50

Set-up No.	Spray Pattern	Fluid Cap No.	Air Cap No.
SUJE418-50	Flat	PFJ2850	PAJ105-50
SUJE420-50	Flat	PFJ40100	PAJ135-50
SUJE416-65	Flat	PFJ1650	PAJ080-65
SUJE417-65	Flat	PFJ2050	PAJ080-65
SUJE418-65	Flat	PFJ2850	PAJ080-65
SUJE420-65	Flat	PFJ40100	PAJ125-65
SUJE421-65	Flat	PFJ60100	PAJ-125-65
SUJE416-90	Flat	PFJ1650	PAJ075-90
SUJE417-90	Flat	PFJ2050	PAJ075-90
SUJE418-90	Flat	PFJ2850	PAJ075-90
SUJE420-90	Flat	PFJ40100	PAJ115-90
SUJE421-90	Flat	PFJ60100	PAJ115-90
SUJ1A	Round	PFJ1650	PAJ64
SUJ1	Round	PFJ2050	PAJ64
SUJ2A	Round	PFJ2050	PAJ70
SUJ2	Round	PFJ2850	PAJ70
SUJ3	Round	PFJ2850	PAJ64-5
SUJ4B	Round	PFJ40100	PAJ120
SUJ4	Round	PFJ60100	PAJ120
SUJF1	Flat	PFJ2850	PAJ73420
SUJF2C	Flat	PFJ35100	PAJ120432
SUJF3B	Flat	PFJ40100	PAJ122435
SUJF4B	Flat	PFJ40100	PAJ122440
SU70	Round	PF250375	PA437
SU75	Flat	PF250375	PA4533102



Set-up No.	Spray Pattern	Fluid Cap No.	Air Cap No.
SU380C	360° Circular	PF251376	PA469-6-130-160HC
SU85	Flat	PF251376	PA4693102
SU77	Wide Angle Round	PF250375	PA422-6-73-70
SU78	Wide Angle Round	PF250375	PA422-6-94-70
SU79	Wide Angle Round	PF250375	PA469-6-125-70
SU89	Wide Angle Round	PF251376	PA469-6-130-70
SU72	Round	PF250375	PA4221250
SU82	Round	PF251376	PA4691312
SUE75	Flat	PF250375	PA14356
SU159	Wide Angle Round	PF4371000	PA1109-6-224-70
SU152	Round	PF4371000	PA11091547
SU172	Round	PF6251000	PA11251625
SU155	Flat	PF4371000	PA11093187
SUE175B	Flat	PF625780	PA12116
SU170	Round	PF6251000	PA1125
SUQR-220B	Round	PFQ40	PAQR95
SUQW-260B	Wide Angle Round	PFQ30	PAQW37-60
SUQW-260	Wide Angle Round	PFQ60	PAQW37-60
SUQW-290	Wide Angle Round	PFQ60	PAQW52-60
SUQF-130	Flat	PFQ20	PAQF28
SUQF-N130	Flat	PFQ30	PAQF28
SUQF-230B	Flat	PFQ30	PAQF35
SUQF-230	Flat	PFQ40	PAQF40
SUQR-200	Round	PFQ5028	PAQR070
SUQR-300	Round	PFQ10060	PAQR120
SUQF-200C	Flat	PFQ10035	PAQF450121
SUQF-300B	Flat	PFQ10040	PAQF450121

Set-up No.	Spray Pattern	Fluid Cap No.	Air Cap No.
SUQF-300	Flat	PFQ10060	PAQF450121
SUVM67B	Variable	VMF1650	VMA67255-60
SUVM67A	Variable	VMF2050	VMA67255-60
SUVM67	Variable	VMF2850	VMA67255-60
SUVM113A	Variable	VMF3578	VMA113289-60
SUVM113	Variable	VMF4078	VMA113289-60
SUVM128	Variable	VMF60100	VMA1282100-60
SUVM152	Variable	VMF80125	VMA1522110-60
SUV67B	Variable	VF1650	VA67255-60
SUV67A	Variable	VF2050	VA67255-60
SUV67	Variable	VF2850	VA67255-60
SUV113A	Variable	VF3578	VA113293-60
SUV113	Variable	VF4078	VA113293-60
SUV128	Variable	VF60100	VA1282125-60
SUV152	Variable	VF80125	VA1522125-60
SUVXE1A	Flat	PFX16	PAVX140A
SUVXE2C	Flat	PFX16	PAVX156A
SUVXE1	Flat	PFX20	PAVX140A
SUVXE2B	Flat	PFX20	PAVX156A
SUVXE2A	Flat	PFX28	PAVX156A
SUVXE3B	Flat	PFX28	PAVX180A
SUVXE2	Flat	PFX40	PAVX156A
SUVXE3A	Flat	PFX40	PAVX180A
SUVXE3	Flat	PFX60	PAVX180A
SUVXE4B	Flat	PFX60	PAVX200A
SUVXE4A	Flat	PFX80	PAVX200A
SUVXE4	Flat	PFX100	PAVX200A

